



GEZE TS 1500 / TS 2000 / SYSTEM TS 4000
OVERHEAD DOOR CLOSERS WITH LINK ARM



CONTENTS

Overview table	4
Technics	6
Product functions and information	7
General product information	
Cover caps for GEZE door closers	8
General product information for door closers	9
Overhead door closers for single-leaf doors	
GEZE TS 1000 C	10
GEZE TS 1500	13
GEZE TS 2000 NV	17
GEZE TS 2000 V	22
GEZE TS 4000 size 1-6	26
GEZE TS 4000 size 5-7	32
GEZE TS 4000 E	37
GEZE TS 4000 R	42
Overhead door closers with free swing function	
GEZE TS 4000 EFS	46
GEZE TS 4000 RFS	51
Overhead door closer systems for double-leaf doors	
GEZE TS 4000 IS	55
GEZE TS 4000 E-IS	60
GEZE TS 4000 R-IS	66
Overhead door closers for single-leaf doors and gates	
GEZE TS 4000 Tandem	70
Accessories	
GEZE smoke switch control unit RSZ 6	74
References	76

Overview table for GEZE System TS 4000 / TS 2000

For single-leaf doors

	TS 1000 C	TS 1500	TS 2000 NV	TS 2000 V	TS 4000 size 1-6	TS 4000 size 5-7	TS 4000 E	TS 4000 R	TS 4000 EFS	TS 4000 RFS	TS 4000 Tandem
Approval for fire and smoke protection doors ⁸⁾			•		•	•	•	•	•	•	•
Barrier-free in accordance with DIN 18040 up to leaf width (max.) in mm	EN3 950	EN4 1100	EN4 1100	EN4 1100	EN4 1100		FSA	FSA	FSA FL	FSA FL	
Closing force in accordance with EN 1154	2/3	3/4	2-4	2/4/5	1-6	5-7	1-6	1-6	1-6	1-6	> 7
Door leaf width (max.) in mm	950	1100	1100	1250	1400	1600	1400	1400	1400	1400	>1600
Application possibilities											
Door leaf installation, hinge side	•	•	•	•	•	•	•		•		•
Opening angle (max.) hinge side ⁷⁾	180°	180°	180°	180°	180°	180°	180°	180°	180°	180°	180°
Door leaf installation, opposite hinge side			• ⁶⁾	• ⁶⁾	• ⁶⁾	• ⁶⁾					• ⁶⁾
Transom installation, opposite hinge side	•	•	•	•	•	•	•	•	•	•	•
Functions											
Adjustable closing force	•	•	•	•	•	•	•	•	•	•	•
Adjustable back check			• ²⁾	• ²⁾	•	•					•
Adjustable hydraulic latching action	•	•	•	•	•	•	•	•	•	•	•
Adjustable delayed closing action					• ¹⁾						
Adjustable closing speed	•	•	•	•	•	•	•	•	•	•	•
Mechanical hold-open device ³⁾	•	•	•	•	•	• ⁴⁾					
Electric hold-open device							•	•			
Electric hold-open device for free swing									•	•	
Integrated smoke switch control unit								•		•	
Integrated closing sequence control											

• = yes

¹⁾ Model TS 4000 S with delayed closing action²⁾ Model TS 2000 NV BC (adjustable) / TS 2000 V BC (fixed)³⁾ Not for F and RD doors⁴⁾ Hold-open linkage only effective up to EN6⁵⁾ System solution comprising a TS 4000 IS/ E-IS/ R-IS on the active leaf in combination with a TS 4000/E/R-IS second unit on the passive leaf and release mechanism in the frame⁶⁾ In parallel arm installation⁷⁾ Opening angle (max.) opposite hinge side, see chapter: Further information for overhead door closers⁸⁾ Valid for Germany. Specifications for other countries can be different and will therefore have to be compared to the local requirements. Please contact your local GEZE subsidiary/representative.

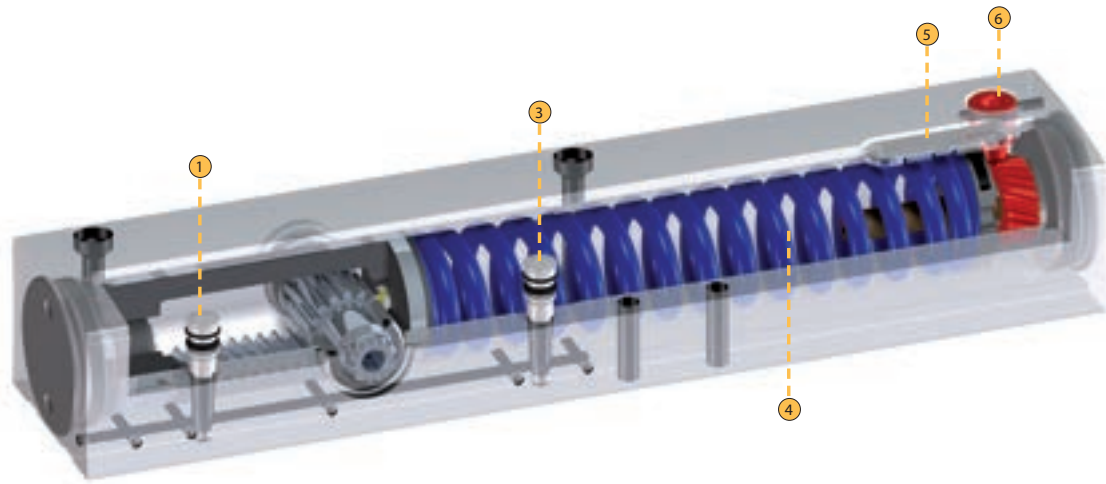
FSA = Hold-open system

FSA FL = Hold-open system free swing

For double-leaf doors

	TS 4000 IS ⁵⁾	TS 4000 E-IS ⁵⁾	TS 4000 R-IS ⁵⁾
Approval for fire and smoke protection doors ⁷⁾	•	•	•
Barrier-free in accordance with DIN 18040 up to leaf width (max.) in mm	EN4 1100	FSA	FSA
Closing force in accordance with EN 1154	1-6	1-6	1-6
Door leaf width (max.) in mm	1400	1400	1400
Application possibilities			
Door leaf installation, hinge side	•	•	
Opening angle (max.) hinge side ⁷⁾	180°	180°	- ⁷⁾
Door leaf installation, opposite hinge side			
Transom installation, opposite hinge side	•	•	•
Functions			
Adjustable closing force	•	•	•
Adjustable back check			
Hydraulic latching action	•	•	•
Adjustable delayed closing action			
Adjustable closing speed	•	•	•
Mechanical hold-open device ³⁾	•		
Electric hold-open device		•	•
Electric hold-open device for free swing			
Integrated smoke switch control unit			•
Integrated closing sequence control	•	•	•

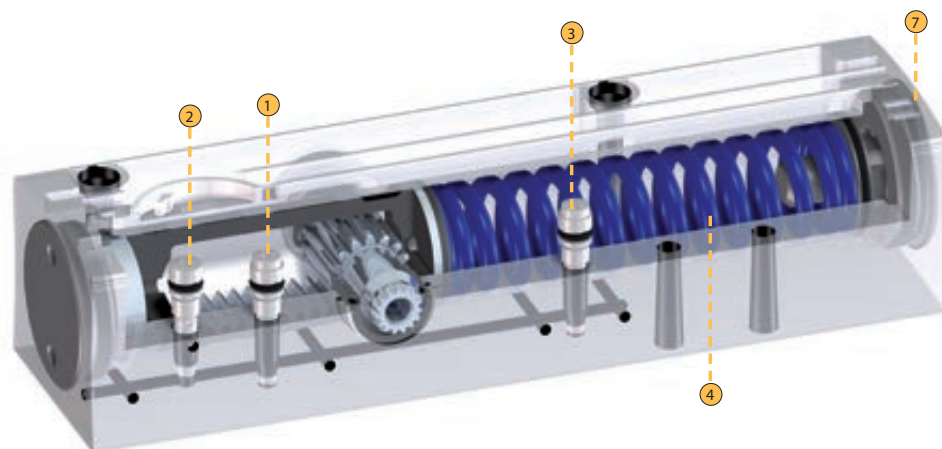
Technics - GEZE overhead door closer TS 4000



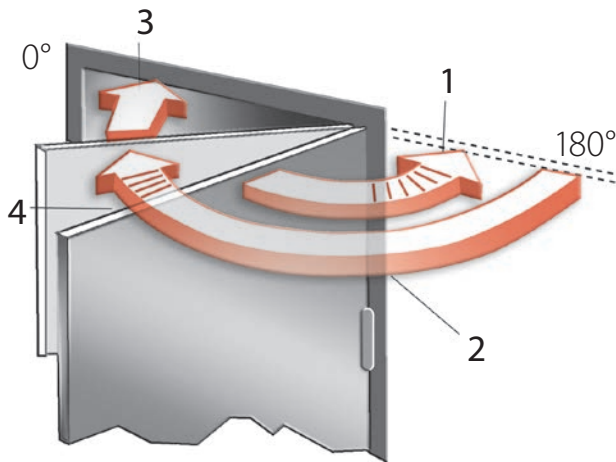
Legende

- ① Closing speed adjustment
- ② Latching action adjustment
- ③ Back check adjustment
- ④ Spring package
- ⑤ Closing force display
- ⑥ Closing force adjustment in front
- ⑦ Closing force adjustment on the side

Technics - GEZE overhead door closer TS 2000 NV BC



General product functions and information GEZE door closers with link arm



1) Back check

When doors are pushed open forcefully by approximately 90°, this function is activated in order to slow them down. However, it must not be used as a substitute for separate measures designed to limit the opening angle (such as a door stopper or other structural methods), e.g. in the case of doors that open outwards or are liable to be exposed to wind.

2) Closing speed

The speed at which a door closes can be set on an individual basis.

3) Latching action

When the door is just a few degrees away from reaching the closed position, this function increases the door speed in order to overcome any closing resistance (e.g. in the form of air resistance).

4) Delayed closing action

This function reduces the closing speed of a door or stops the door so that people have enough time to get through it.

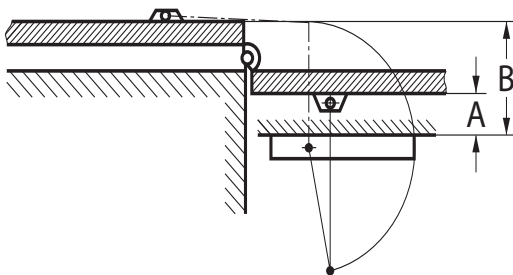
GEZE door closers with adjustable closing force:

The relevant standards stipulate that the door closer size (closing force of the closer) must be selected in accordance with the door leaf width. Where necessitated by the structural (door height, door weight) or local conditions (wind), the next size up must be set.

The GEZE TS 4000, TS 2000 and related versions offer several door closer sizes in one housing. The desired size can be selected by means of an adjustment screw or by altering the installation position. The TS 4000 features a display so you can see which size is currently selected.

Door closing force acc. to EN standard	Door leaf width (mm)
Size 1	up to 750
Size 2	over 750 up to 850
Size 3	over 850 up to 950
Size 4	over 950 up to 1100
Size 5	over 1100 up to 1250
Size 6	over 1250 up to 1400
Size 7	over 1400 up to 1600

Specially designed for installation on opposite hinge side



Dimension A = reveal depth

Dimension B = reveal depth +2 door thickness
+2 pivot point distance

If a door is to be opened 180°,
dimension A = 70 mm and
dimension B = 200 mm
must not be exceeded.

Cover caps for GEZE door closers

The following cover caps are available for the TS 2000 and TS 4000 overhead door closers:

- silver-coloured



- dark bronze



- white RAL 9016



- polished brass



- stainless steel



Other RAL colours are available on request.

Product information for door closers

Due to the liability the manufacturer has for its products under the German product liability law (§ 4 Prod-HaftG), the following information regarding door closers for swing leaf doors must be observed. Non-compliance discharges the manufacturer from its liability.

1) Product information and use as intended

Within this context, door closers are to be defined as products for closing swing leaf doors after they have been opened manually. The closing action is dampened using a hydraulically adjustable feature. The level of closing force required for specific leaf widths is defined in EN 1154. In the case of non-standard applications, the details provided by the manufacturer are to be regarded as definitive. Door closers are used on internal swing leaf doors made from metal, timber or plastic and combinations thereof. When used on smoke and fire protection doors or other standardised self-closing doors, they are subject to strict requirements in terms of the type of installation and their position. Any deviation from these requirements constitutes improper use.

Proper use of door closers (use as intended) relies on doors being installed perpendicular and their being able to move smoothly; it is also dependent on the door closers being properly secured. The products must be installed and adjusted professionally in accordance with the manufacturer's specifications.

Where local conditions are particularly unfavourable (wind), door closers with higher torques must be used.

It is particularly important to use door closers with a back check function on swing leaf doors that are exposed to wind when opening outwards. The back check function helps protect people, door elements, nearby walls and objects, without restricting the door opening angle. If the structural conditions of the door are such that there is a risk of the door leaf hitting the frame in the vicinity of the door's axis of rotation, a buffer must be installed to limit the door's maximum opening angle. If swing leaf doors are to be fixed in the open position, this may only be achieved using special additional fittings or integrated constructional elements. When used with smoke and fire protection doors, the devices must be officially approved by the German Centre of Competence for Construction (door suitability certificates must be heeded).

Door closers are not suitable for installation on swing leaf doors in the case of unprotected exterior mounting or for installation in environments where the air contains aggressive, corrosive substances or in extremely high or low temperatures.

Following installation, enclosures for floor springs must be protected against soiling. If floor springs are exposed to penetrating water (e.g. wet rooms or external doors with no protection from the rain), the area between the cement box and the floor spring cover must be sealed with a suitable sealing compound.

Compliance with mandatory statutory provisions must be ensured, where applicable, before door closers (including any additional devices) are installed and commissioned.

2) Misuse

Misuse (i.e. improper use of door closer products for swing leaf doors) includes, in particular:

- The presence of obstacles in the closing area, scraping doors, sticking seals, wooden wedges, etc. that hinder the door's closing action
- Incorrect or improper mounting and/or adjustment
- Reaching into the area between the door frame and leaf (risk of injury)
- If the warranted properties are likely to trigger proper functioning, e.g. in case of storms or unusual levels of overpressure or underpressure acting on the door

- If door closers are used for any purpose other than closing doors
- If the selected door closer size does not tally with the manufacturer's recommendations

3) Product performance

Where catalogues, brochures, manuals, etc. do not contain specific details of product performance, special requirements must be discussed and agreed with the manufacturer.

The EN 1154 standards serve as a guideline. These standards stipulate the vast majority of basic and additional requirements. Amongst other things, the usability of door closers depends on how often they are operated, how they are operated, environmental influences and how they are cared for. Door closers must be replaced as soon as the door's closing action can no longer be guaranteed to be fault-free and reliable.

4) Product maintenance

Safety-related components of door closers must be checked regularly for tightness and signs of wear (depending on what the requirements are). Fixing screws must be re-tightened and defective components replaced. In addition, the following maintenance work must be carried out at least once a year (depending on the swing leaf door type and extent of use):

- Grease all moving parts on the link arm
- In the case of door closers with special functions (hold-open devices and hold-open systems), ensure compliance with statutory inspections, monitoring requirements and suggested maintenance intervals
- Check the closer settings, e.g. the closing speed
- Check that the door is able to move easily

Do not use any cleaning agents that contain corrosive or damaging ingredients.

5) Duties to inform and instruct

The following resources are available to help planners, specialist suppliers, installers, builders and users fulfil their duties of information and instruction:

- Catalogues, brochures, leaflets
- Tender texts and bidding documents
- Attachment instructions, installation drawings, operating instructions, standards
- Advice from field staff

To ensure correct use of door closers on swing doors, guarantee their function and make sure they are maintained and cared for appropriately:

- Architects and planners are advised to order and observe the necessary product information
- Specialist suppliers are advised to observe the product information and advice in the price lists and, in particular, to order all relevant instructions, which are to be passed on to the installation engineer
- Installation engineers are advised to observe all the product information and to pass it on to the client and user

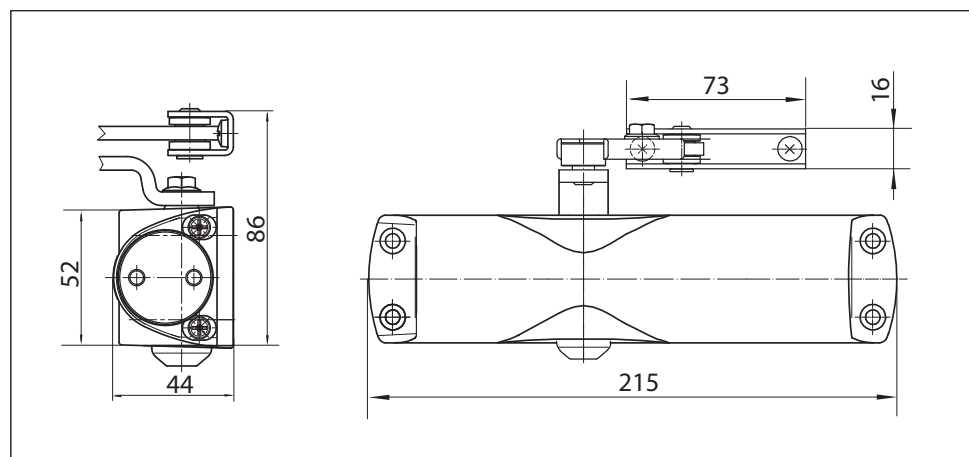
GEZE TS 1000 C

Link arm door closer for single-leaf doors with a leaf width of up to 950 mm

The overhead door closer is suitable for single-leaf doors with a leaf width of up to 950 mm. The closing speed and hydraulic latching action can be adjusted. There are two different closing force settings, which can be selected simply by turning the bearing block for the link arm: "weak" closing force (size 2 acc. to EN 1154) for door leaf widths of up to 850 mm and "strong" closing force (size 3 acc. to EN 1154) for door leaf widths of up to 950 mm. The door closer is available with an optional mounting plate and is suitable for left and right single-action doors without the need for conversion.

Special version:

- GEZE TS 1000 C with hold-open linkage
with adjustable hold-open angle of between 70° and 150°



Area of application

- For internal doors
- For single-action doors, leaf width of up to 950 mm
- For right and left hung doors without the need for conversion
- Standard installation on door leaf hinge side; transom installation on opposite hinge side also possible

Closer technical data

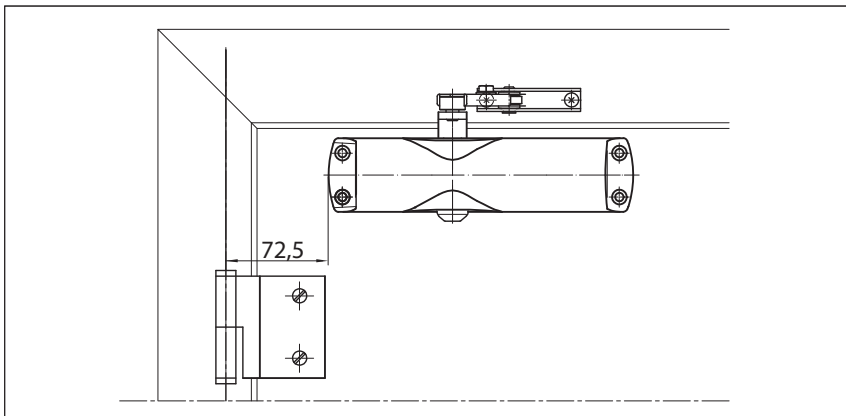
Product features	GEZE TS 1000 C closer
Closing force in accordance with EN 1154	2/3
Leaf width recommended up to	950 mm
Same version for DIN left and DIN right	●
Product tested in accordance with	Door closer tested in accordance with EN 1154
Length	215 mm
Installation depth	44 mm
Height	52 mm
Functions	
Adjustable closing force	via installation
Adjustable closing speed	●
Adjustable latching action	via valve
Integrated back check	○
Closing force adjustment position	Installation position

● = yes

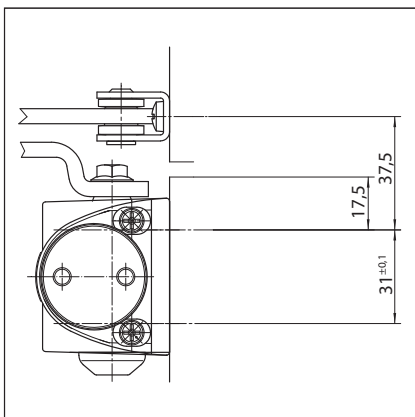
○ = no

Door leaf installation/hinge side TS 1000 C

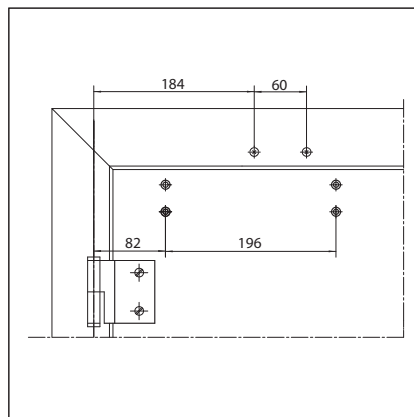
View



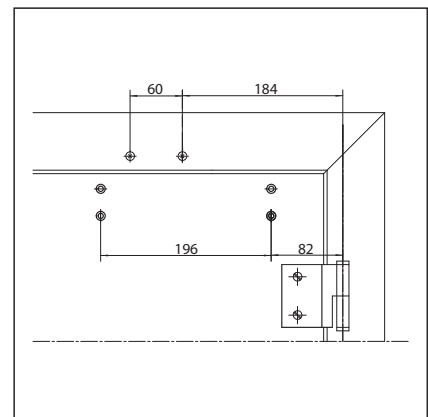
Installation example for GEZE TS 1000 C

Direct installation

Cross section = direct installation

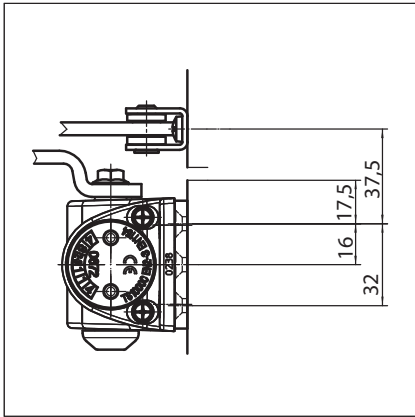


Fitting dimensions for left-hand door

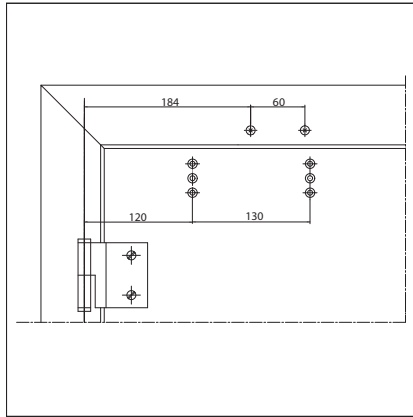


Fitting dimensions for right-hand door

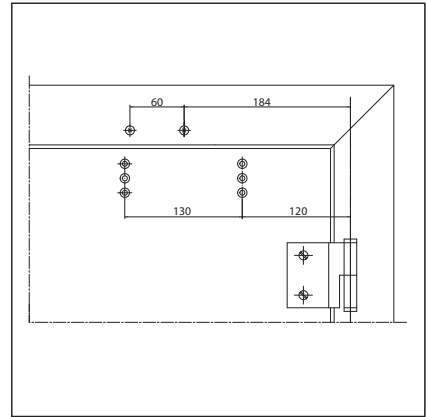
Installation with mounting plate



Cross section = installation with mounting plate



Fitting dimensions for left-hand door



Fitting dimensions for right-hand door

GEZE TS 1000 C - Order information

Designation	Version	ID.No.
GEZE TS 1000 C complete package ²⁾ Size EN 2/3, with hold-open linkage	silver-coloured	101771
	white RAL 9016	101773
	black RAL 9005	119574
	brass-coloured	101777
	acc. to RAL	101776
GEZE TS 1000 C complete package Size EN 2/3, with link arm	silver-coloured	101765
	white RAL 9016	101767
	black RAL 9005	119573
	brass-coloured	101770
	acc. to RAL	101769
Installation material		
Door closer mounting plate For TS 1000 C	silver-coloured	072019
	white RAL 9016	072021
	black RAL 9005	072022

1) Surcharge for special RAL colours, see General Information

2) Not approved for fire and smoke protection doors in Germany

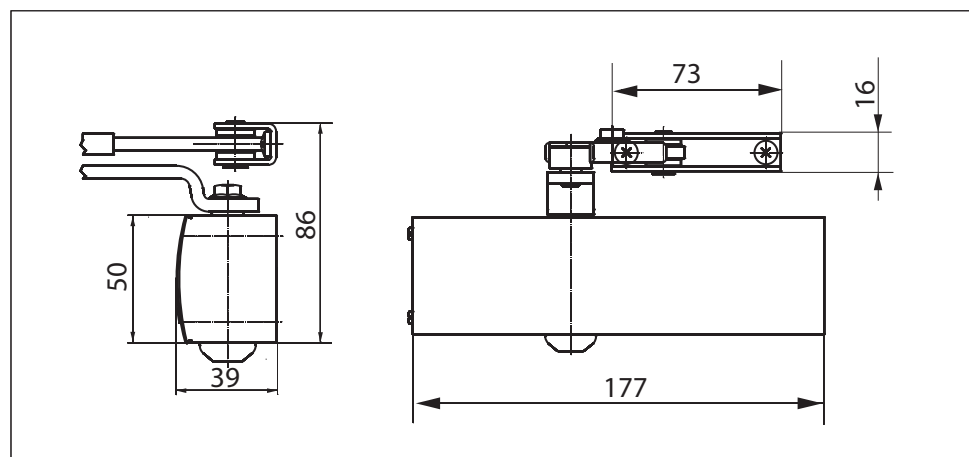
GEZE TS 1500

Link arm door closer for single-leaf doors with a leaf width of up to 1100 mm

TS 1500 overhead door closer is suitable for single-leaf doors with a leaf width of up to 1100 mm. The closing speed and hydraulic latching action can be adjusted. There are two different closing force settings, which can be selected simply by turning the bearing block for the link arm: "weak" closing force (size 3 acc. to EN 1154) for door leaf widths of up to 950 mm and "strong" closing force (size 4 acc. to EN 1154) for door leaf widths of up to 1100 mm. The door closer is available with an optional mounting plate and is suitable for left and right single-action doors without the need for conversion.

Special version:

- GEZE TS 1500 with hold-open linkage with adjustable hold-open angle of between 70° and 150°



Area of application

- For internal doors
- For single-action doors, leaf width of up to 1100 mm
- For right and left hung doors without the need for conversion
- Standard installation on door leaf hinge side; transom installation on opposite hinge side also possible

Closer technical data

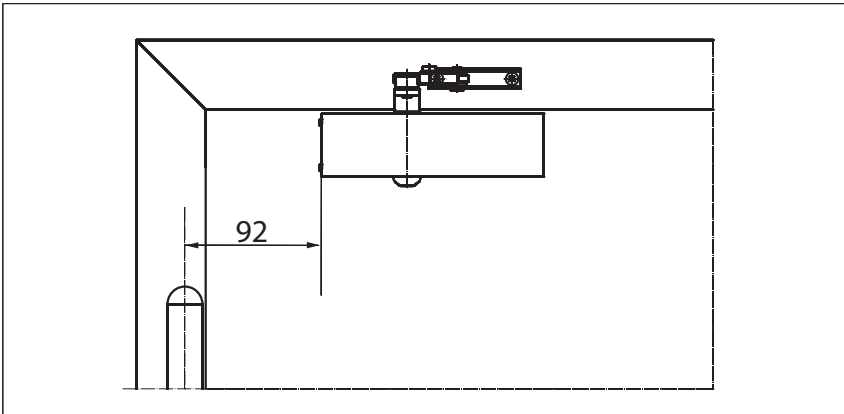
Product features	GEZE TS 1500 closer
Closing force in accordance with EN 1154	3/4
Leaf width recommended up to	1100 mm
Same version for DIN left and DIN right	●
Product tested in accordance with	Door closer tested in accordance with EN 1154
Length	177 mm
Installation depth	39 mm
Height	50 mm
Functions	
Adjustable closing force	via installation
Adjustable closing speed	●
Adjustable latching action	via valve
Integrated back check	○
Closing force adjustment position	Installation position

● = yes

○ = no

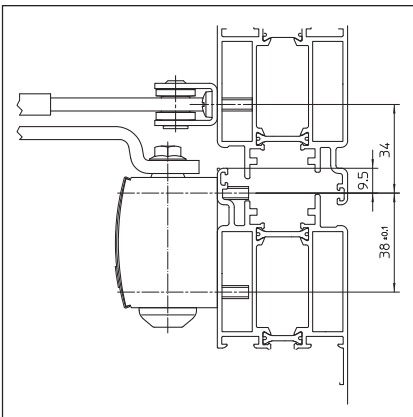
Door leaf installation/hinge side TS 1500

View

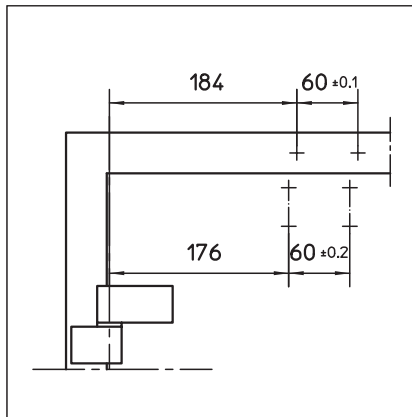


Installation example for GEZE TS 1500

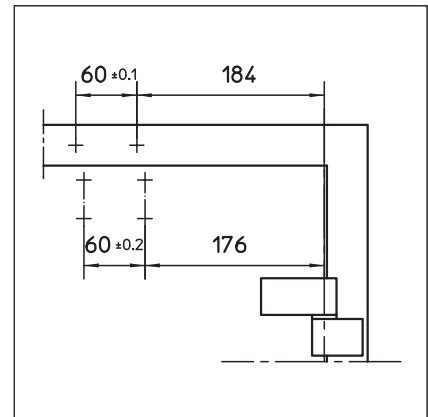
Direct installation



Cross section = direct installation

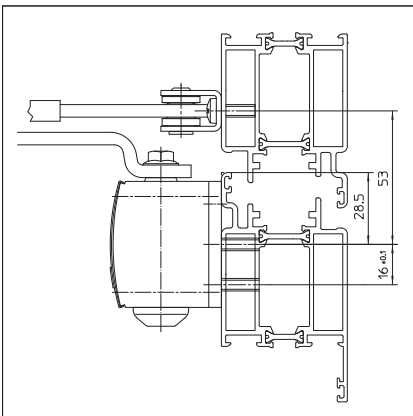


Fitting dimensions for left-hand door

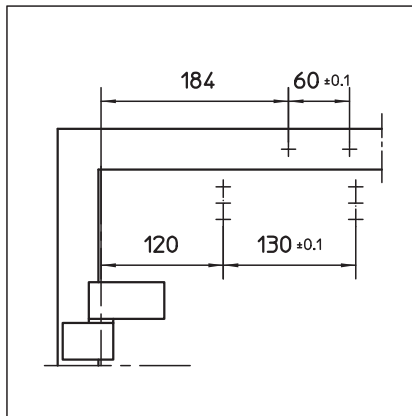


Fitting dimensions for right-hand door

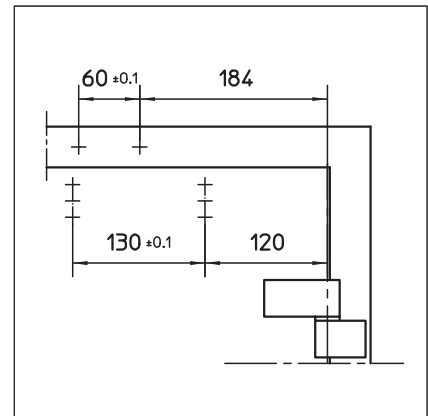
Installation with mounting plate



Cross section = installation with mounting plate



Fitting dimensions for left-hand door



Fitting dimensions for right-hand door

GEZE TS 1500 – Order information

Designation	Version	ID.No.
GEZE TS 1500 closer Size EN 3/4 (without link arm)	silver-coloured	101792
	white RAL 9016	101794
	acc. to RAL ¹⁾	101875
Link arm TS 1500/1000 C ²⁾ With mechanical hold-open device	silver-coloured	101815
	white RAL 9016	101817
	acc. to RAL ¹⁾	101818
Link arm TS 1500/1000 C Standard	silver-coloured	101878
	white RAL 9016	101881
	acc. to RAL ¹⁾	101882
Installation material		
Door closer mounting plate For TS 1500	silver-coloured	029682
	white RAL 9016	029685
	acc. to RAL ¹⁾	029686
Accessories		
Door closer cover cap For TS 1500, only suitable for door leaf installation	silver-coloured	080147
	white RAL 9016	080149
	acc. to RAL	080150

1) Surcharge for special RAL colours, see General Information

2) Not approved for fire and smoke protection doors in Germany

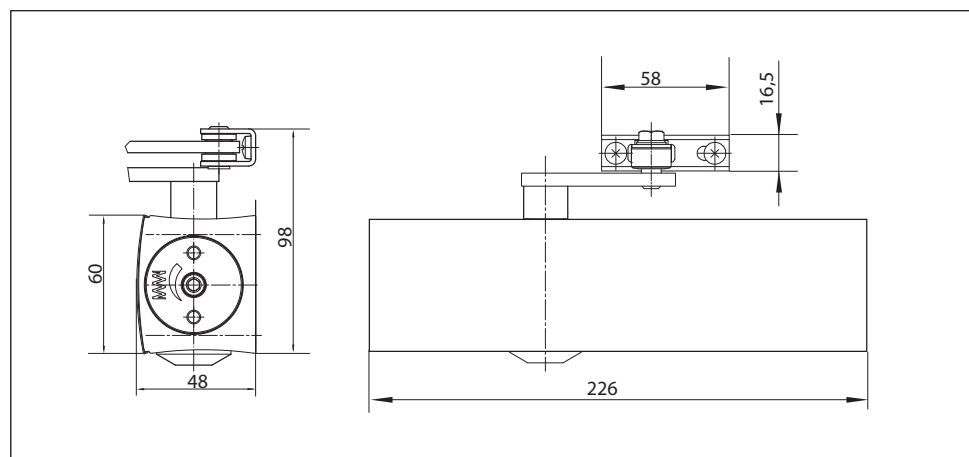
GEZE TS 2000 NV

Link arm door closer for single-leaf doors with a leaf width of up to 1100 mm

TS 2000 NV overhead door closer is approved for use with left-hand and right-hand single-action doors with leaf widths of up to 1100 mm (without the need for conversion) and for use on fire and smoke protection doors. The closing force in accordance with DIN EN 1154 size 2-4 can be variably adjusted at the side. The closing speed and latching action can be conveniently adjusted from the front.

Special versions:

- GEZE TS 2000 NV BC with hydraulic back check that can be adjusted from the front
- GEZE TS 2000 NV/NV BC with hold-open linkage with adjustable hold-open angle of between 70° and 150°



Area of application

- For single-action doors, leaf width of up to 1100 mm
- For right and left hung doors without the need for conversion
- For fire protection doors (door closers with mounting plate)
- Standard installation on door leaf hinge side; transom installation on opposite hinge side also possible
- Can be installed on door leaf on opposite hinge side with parallel arm mounting

Closer technical data

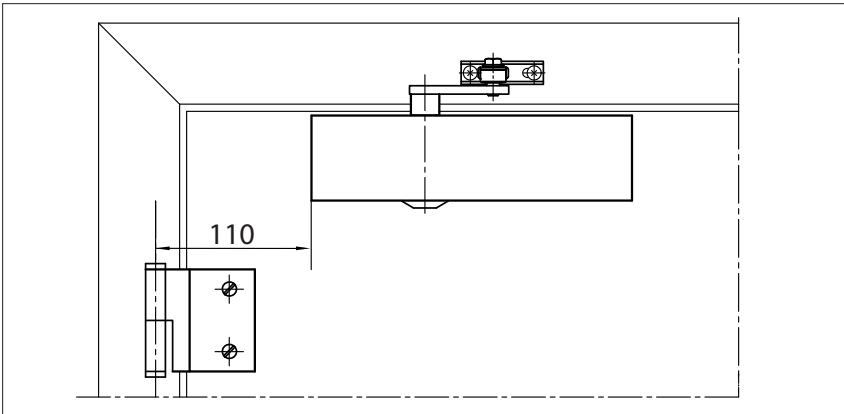
Product features	GEZE TS 2000 NV closer	GEZE TS 2000 NV BC closer
Closing force in accordance with EN 1154	2 - 4	
Leaf width recommended up to	1100 mm	
Same version for DIN left and DIN right	●	●
Product tested in accordance with	Door closer tested in accordance with EN 1154	
Suitable for fire protection doors	●	●
Mounting plate with hole pattern acc. to EN 1154 Supplement 1	●	●
Length	226 mm	
Installation depth	48 mm	
Height	60 mm	
Functions		
Adjustable closing force	with variable adjustment	
Adjustable closing speed	●	●
Adjustable latching action	via valve	
Integrated back check	○	Yes, hydraulically adjustable
Closing force adjustment position	On the side	
Thermo-constant valves	●	●

● = yes

○ = no

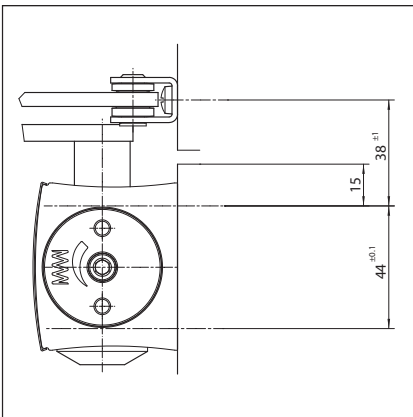
Door leaf installation/hinge side TS 2000 NV/NV BC

View

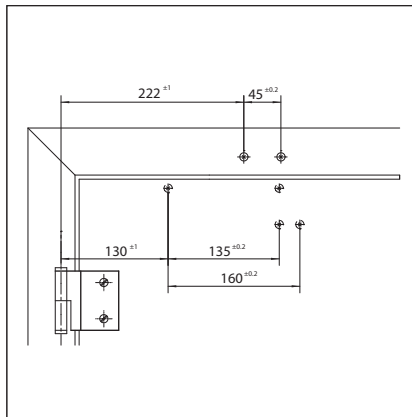


Installation example for GEZE TS 2000 NV/NV BC

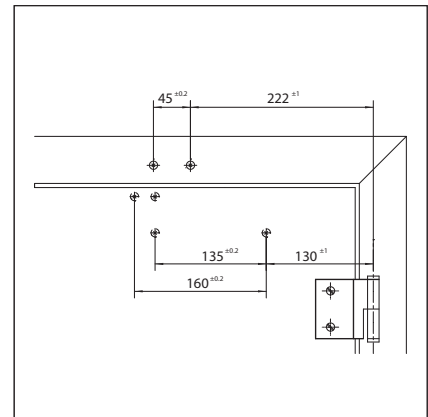
Direct installation



Cross section = direct installation

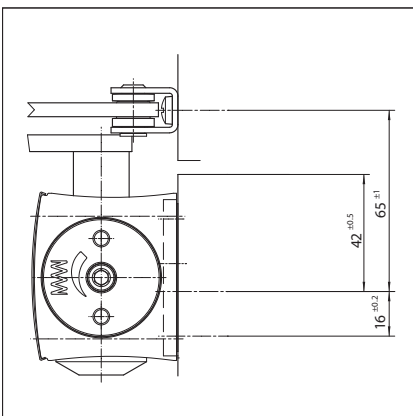


Fitting dimensions for left-hand door

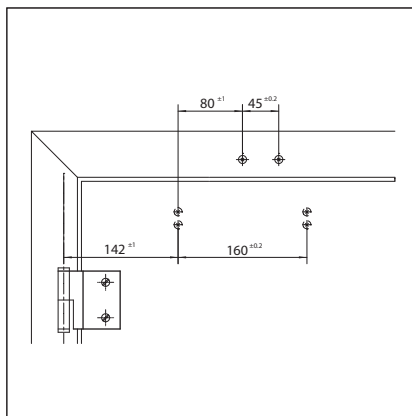


Fitting dimensions for right-hand door

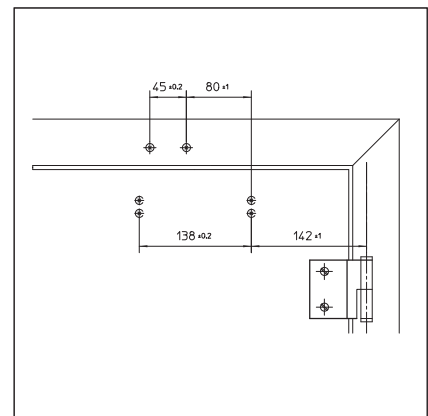
Installation with mounting plate



Cross section = installation with mounting plate



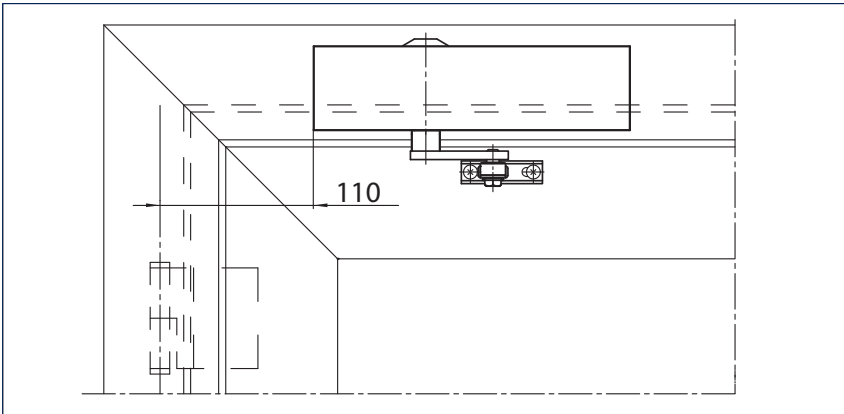
Fitting dimensions for left-hand door



Fitting dimensions for right-hand door

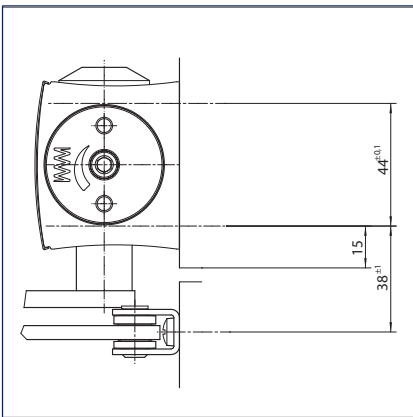
Transom installation/opposite hinge side TS 2000 NV/NV BC

View

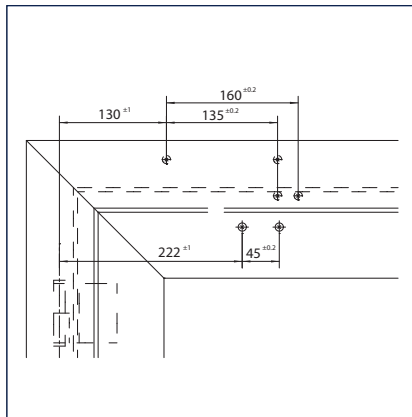


Installation example for GEZE TS 2000 NV/NV BC

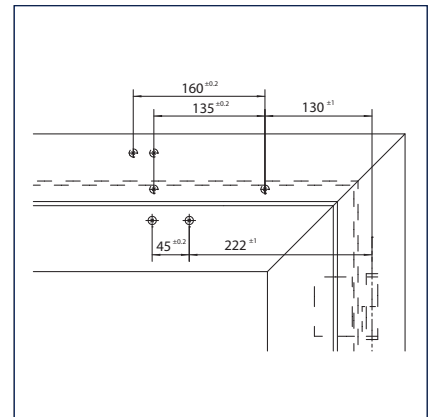
Direct installation



Cross section = direct installation

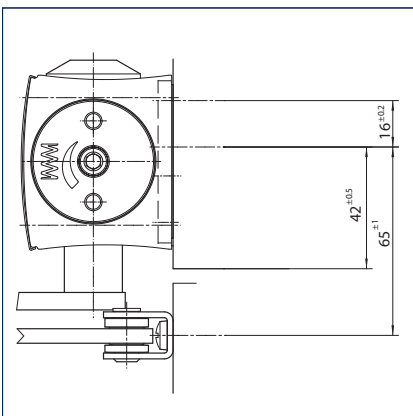


Fitting dimensions for right-hand door

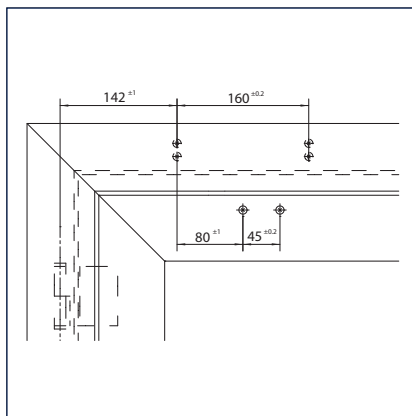


Fitting dimensions for left-hand door

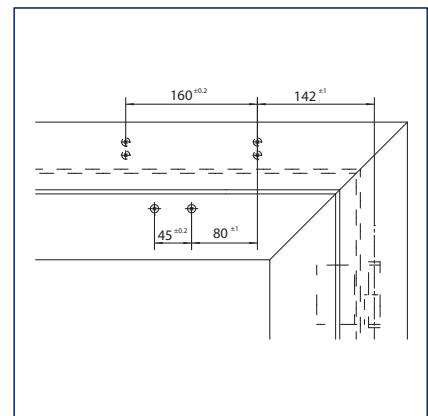
Installation with mounting plate



Cross section = installation with mounting plate



Fitting dimensions for right-hand door



Fitting dimensions for left-hand door

GEZE TS 2000 NV - Order information

Designation	Version	ID.No.
GEZE TS 2000 NV closer Size EN 2-4 (without link arm)	silver-coloured	128885
	white RAL 9016	128887
	acc. to RAL ²⁾	128888
GEZE TS 2000 NV BC closer Size EN 2-4 with back check (without link arm)	silver-coloured	124944
	white RAL 9016	124946
	acc. to RAL ²⁾	124947
Link arm TS 4000/2000 ³⁾ With mechanical hold-open device	silver-coloured	102454
	white RAL 9016	102456
	acc. to RAL ²⁾	102457
Link arm TS 4000/2000 ³⁾ With mechanical hold-open device that can be switched on and off	silver-coloured	102445
	white RAL 9016	102447
	acc. to RAL ²⁾	102448
Link arm TS 4000/2000 Extended, for transom installation with a reveal depth of 70-170 mm	silver-coloured	102431
	white RAL 9016	102433
	acc. to RAL ²⁾	102434
Link arm TS 4000/2000 Standard	silver-coloured	102421
	white RAL 9016	102423
	simulated stainless steel ¹⁾	102426
	acc. to RAL ²⁾	102425
Installation material		
Spindle extension for TS 4000/TS 2000 Crown type connection	10 mm galvanised	103548
	10 mm black	103677
	15 mm galvanised	103549
	15 mm black	103678
	20 mm galvanised	103550
	20 mm black	103679
Door closer drilling template For TS 5000/4000/3000/2000		053134
Glass clamping plate for door closer For TS 3000/TS 2000NV	silver-coloured	014835
	white RAL 9016	014843
	acc. to RAL ²⁾	014845
All-glass door mounting and counter plate For TS 3000/TS 2000NV	silver-coloured	090259
Link arm mounting plate For TS 4000/2000, with narrow rebates	silver-coloured	057109
	acc. to RAL ²⁾	082506
Link arm mounting plate For TS 4000/2000, with parallel arm mounting	silver-coloured	053318
	acc. to RAL ²⁾	027460
Mounting plate for segmental arch door For TS 2000 NV, max. arch height 130 mm	silver-coloured	127434
	acc. to RAL ²⁾	127435
Door closer mounting plate For TS 2000 NV & NV BC with hole pattern acc. to DIN EN 1154 Supplement 1		126234
Lintel casing bracket for transom installation opposite hinge side For TS 2000 NV	silver-coloured	127432
Accessories		
Door closer cover cap For TS 3000/TS 2000, only suitable for door leaf installation	silver-coloured	013487
	white RAL 9016	014855
	brass	072770
	stainless steel	072769
	acc. to RAL ²⁾	014856

1) Only suitable for dry rooms

2) Surcharge for special RAL colours, see General Information

3) Not approved for fire and smoke protection doors in Germany

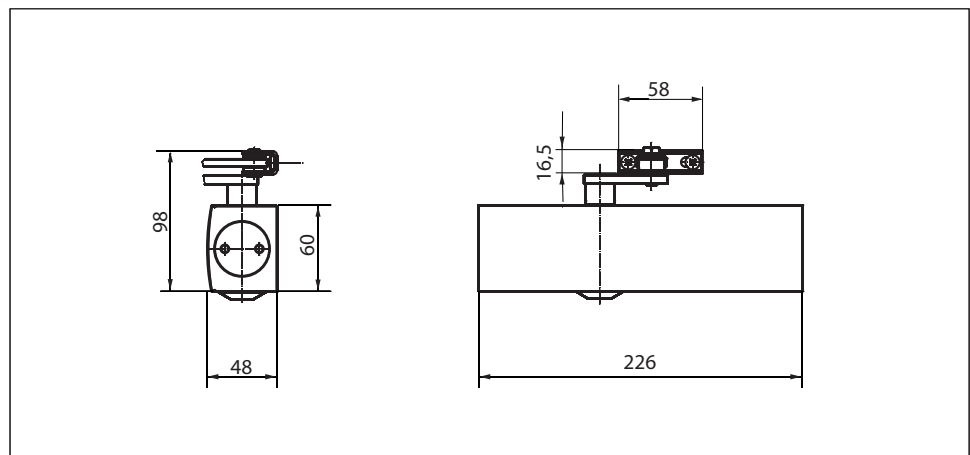
GEZE TS 2000 V

Link arm door closer for single-leaf doors with a leaf width of up to 1250 mm

TS 2000 V overhead door closer is suitable for single-leaf doors with a leaf width of up to 1250 mm. The closing force is variable in accordance with DIN EN 1154, size 2/4/5 (closing force is varied by changing the installation position, but the same size of closer is used in all cases). The closing speed can be conveniently adjusted from the front and the latching action is adjusted by means of the link arm. The door closer is available with an optional mounting plate and is suitable for left and right single-action doors without the need for conversion.

Special versions:

- GEZE TS 2000 V BC
with hydraulic latching action that can be adjusted from the front and fixed back check setting
- GEZE TS 2000 V with hold-open linkage
with adjustable hold-open angle of between 70° and 150°



Area of application

- For single-action doors, leaf width of up to 1250 mm
- For right and left hung doors without the need for conversion
- Standard installation on door leaf hinge side; transom installation on opposite hinge side also possible
- Can be installed on door leaf on opposite hinge side with parallel arm mounting

Closer technical data

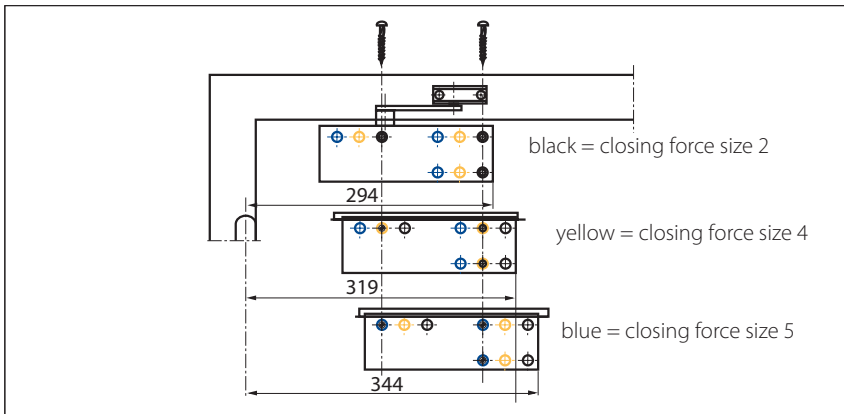
Product features	GEZE TS 2000 V closer	GEZE TS 2000 VBC closer
Closing force in accordance with EN 1154		2/4/5
Leaf width recommended up to		1250 mm
Same version for DIN left and DIN right	●	●
Product tested in accordance with	Door closer tested in accordance with EN 1154	
Length		226 mm
Installation depth		48 mm
Height		60 mm
Functions		
Adjustable closing force	via installation	
Adjustable closing speed	●	●
Adjustable latching action	via link arm	via valve
Integrated back check	○	hydraulic, fixed
Closing force adjustment position	Installation position	
Thermo-constant valves	●	●

● = yes

○ = no

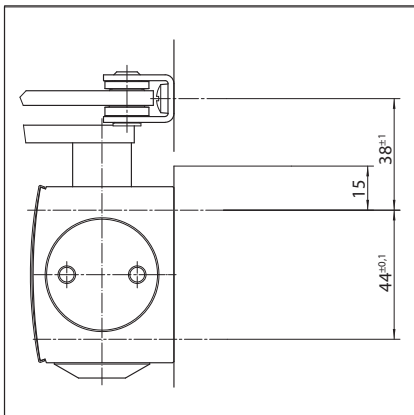
Door leaf installation/hinge side TS 2000 V/V BC

View

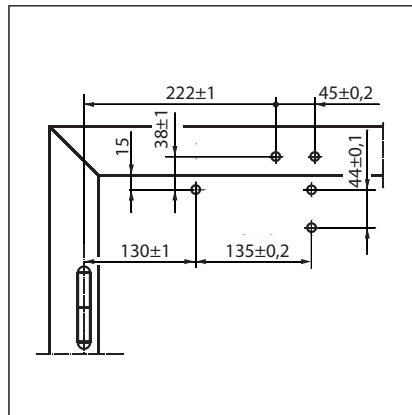


Installation example for GEZE TS 2000 V/V BC (closing force EN 2/4/5)

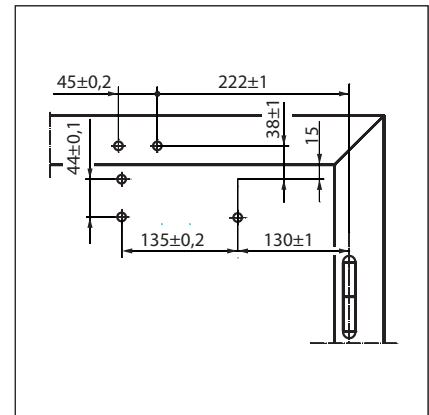
Direct installation



Cross section = direct installation

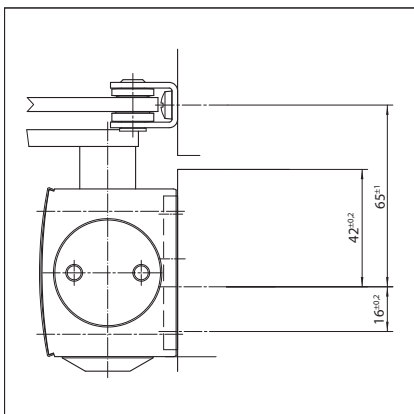


Fitting dimensions for left-hand door

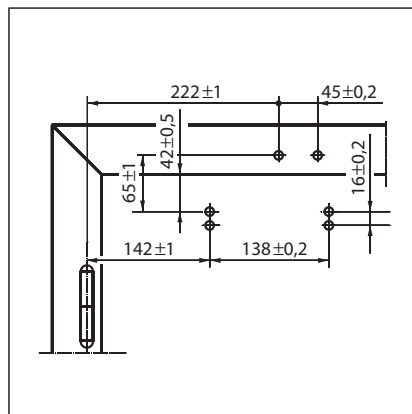


Fitting dimensions for right-hand door

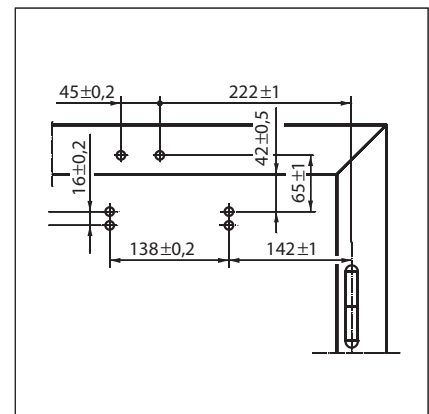
Installation with mounting plate



Cross section = installation with mounting plate



Fitting dimensions for left-hand door



Fitting dimensions for right-hand door

GEZE TS 2000 V – Order information

Designation	Version	ID.No.
GEZE TS 2000 V closer Size EN 2/4/5 (without link arm)	silver-coloured	103386
	white RAL 9016	103388
	acc. to RAL ²⁾	103389
GEZE TS 2000 VBC closer Size EN 2/4/5 with back check (without link arm)	silver-coloured	103392
	white RAL 9016	103394
	acc. to RAL ²⁾	103406
Link arm TS 4000/2000 ³⁾ With mechanical hold-open device	silver-coloured	102454
	white RAL 9016	102456
	acc. to RAL ²⁾	102457
Link arm TS 4000/2000 ³⁾ With mechanical hold-open device that can be switched on and off	silver-coloured	102445
	white RAL 9016	102447
	acc. to RAL ²⁾	102448
Link arm TS 4000/2000 Extended, for transom installation with a reveal depth of 70-170 mm	silver-coloured	102431
	white RAL 9016	102433
	acc. to RAL ²⁾	102434
Link arm TS 4000/2000 Standard	silver-coloured	102421
	white RAL 9016	102423
	simulated stainless steel ¹⁾	102426
	acc. to RAL ²⁾	102425
Installation material		
Spindle extension for TS 4000/TS 2000 Crown type connection	10 mm galvanised	103548
	10 mm black	103677
	15 mm galvanised	103549
	15 mm black	103678
	20 mm galvanised	103550
	20 mm black	103679
Door closer drilling template For TS 5000/4000/3000/2000		053134
Glass clamping plate for door closer For TS 2000 V	silver-coloured	055773
	acc. to RAL	009499
	acc. to RAL ²⁾	009500
Link arm mounting plate For TS 4000/2000, with narrow rebates	silver-coloured	057109
	acc. to RAL ²⁾	082506
Link arm mounting plate For TS 4000/2000, with parallel arm mounting	silver-coloured	053318
	acc. to RAL ²⁾	027460
Mounting plate for segmental arch door For TS 2000 V, max. arch height 130 mm	silver-coloured	059044
Door closer mounting plate For TS 2000 V		055756
Lintel casing bracket for transom installation opposite hinge side For TS 2000 V	silver-coloured	055766
	acc. to RAL ²⁾	104450
Accessories		
Door closer cover cap For TS 3000/TS 2000, only suitable for door leaf installation	silver-coloured	013487
	white RAL 9016	014855
	brass	072770
	stainless steel	072769
	acc. to RAL ²⁾	014856

1) Only suitable for dry rooms

2) Surcharge for special RAL colours, see General Information

3) Not approved for fire and smoke protection doors in Germany

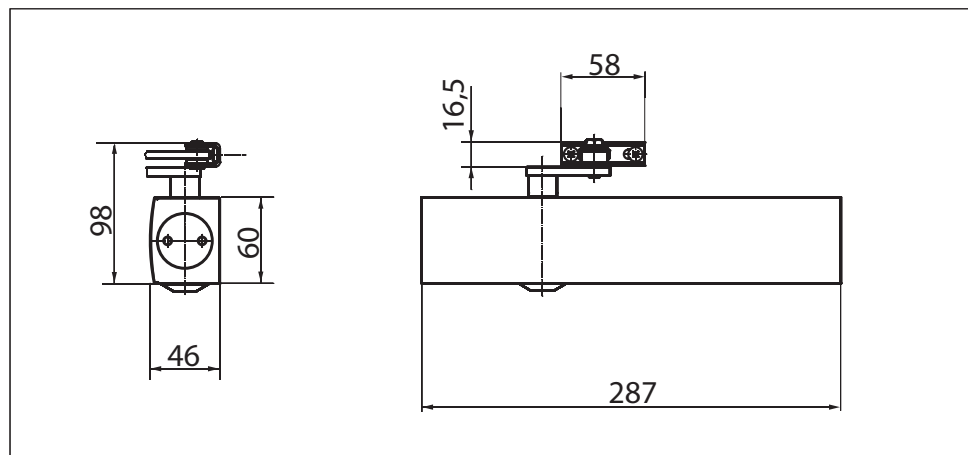
GEZE TS 4000

Link arm door closer for single-leaf doors with a leaf width of up to 1400 mm

TS 4000 overhead door closer is approved for use with left-hand and right-hand single-action doors with leaf widths of up to 1400 mm (without the need for conversion) and for installation on fire and smoke protection doors. The closing force in accordance with EN 1154 size 1-6 can be variably adjusted from the front and is easy to monitor thanks to the visual closing force display. The back check and thermo-constant closing speed are also adjustable from the front; the latching action is adjusted by means of the link arm. The closer features a safety valve for both the open and close directions.

Special versions:

- GEZE TS 4000 with hold-open linkage
hold-open angle up to 150° (must not be used on fire and smoke protection doors)
- GEZE TS 4000 S with delayed closing action of up to 30 seconds, adjustable from the front
(delayed closing action not effective with transom installation on opposite hinge side).



Area of application

- For single-action doors, leaf width of up to 1400 mm
- For right and left hung doors without the need for conversion
- For fire protection doors (door closers with mounting plate)
- Standard installation on door leaf hinge side; transom installation on opposite hinge side also possible
- Can be installed on door leaf on opposite hinge side with parallel arm mounting

Closer technical data

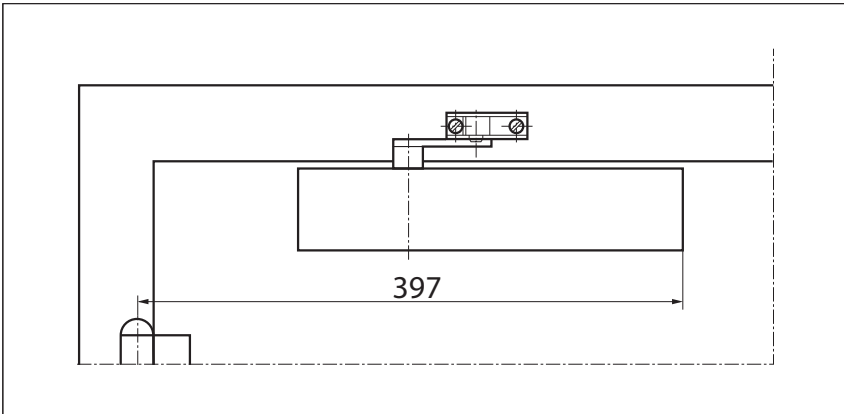
Product features	GEZE TS 4000 closer	GEZE TS 4000 S closer
Closing force in accordance with EN 1154		1 - 6
Leaf width recommended up to		1400 mm
Same version for DIN left and DIN right	●	●
Product tested in accordance with	Door closer tested in accordance with EN 1154	
Suitable for fire protection doors	●	●
Mounting plate with hole pattern acc. to EN 1154 Supplement 1	●	●
Length		287 mm
Installation depth		46 mm
Height		60 mm
Functions		
Adjustable closing force	with variable adjustment	
Adjustable closing speed	●	●
Adjustable latching action	via link arm	via valve
Integrated back check	hydraulically adjustable	
Integrated delayed closing action		●
Closing force adjustment position	Front	
Visual closing force display	●	●
Safety valve as protection against vandalism	●	●
Thermo-constant valves	●	●

● = yes

○ = no

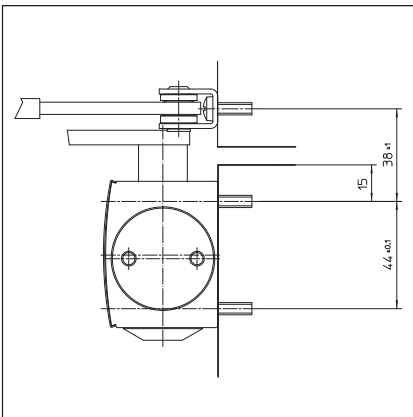
Door leaf installation/hinge side TS 4000

View

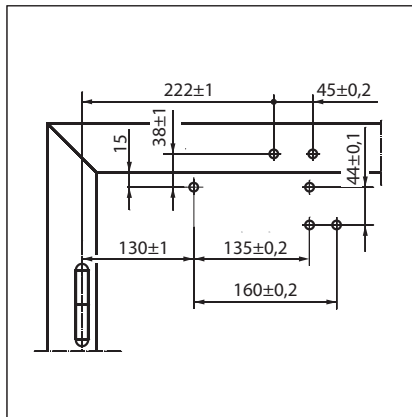


Installation example for GEZE TS 4000 1-6, TS 4000 S

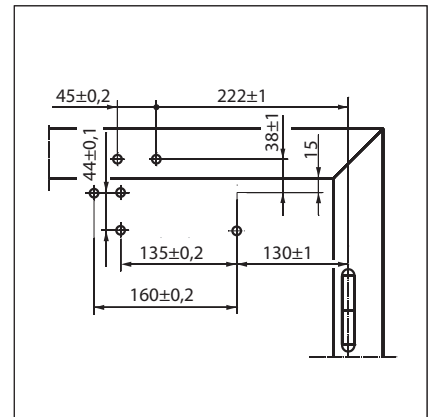
Direct installation



Cross section = direct installation

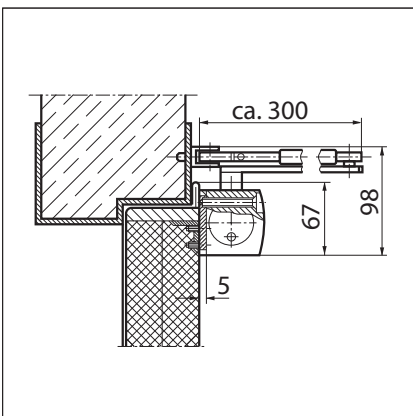


Fitting dimensions for left-hand door

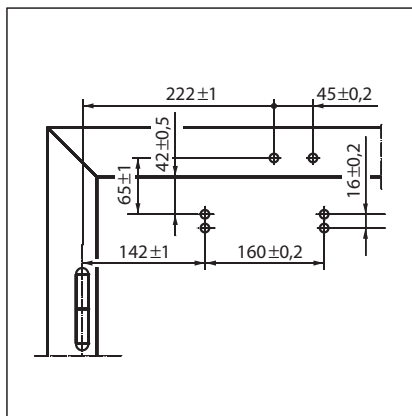


Fitting dimensions for right-hand door

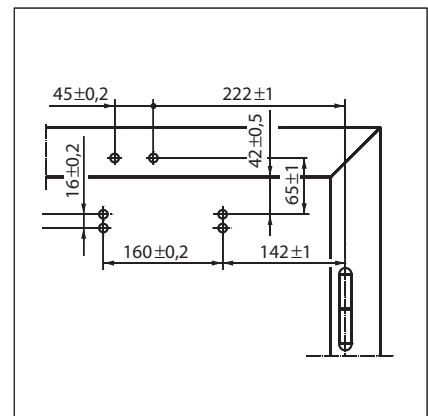
Installation with mounting plate



Cross section = installation with mounting plate



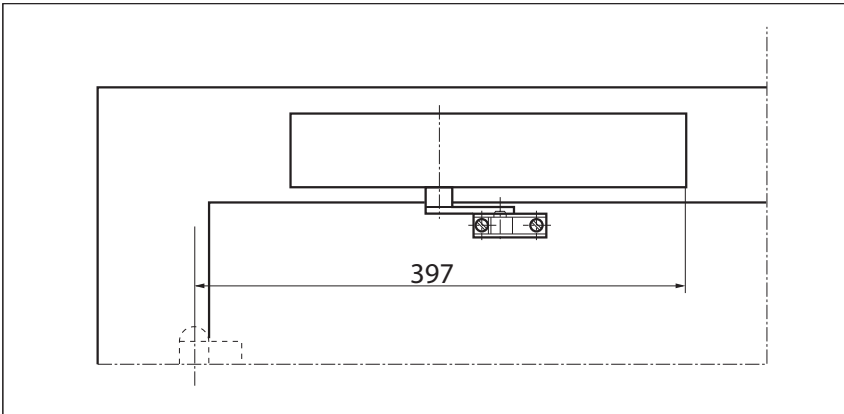
Fitting dimensions for left-hand door



Fitting dimensions for right-hand door

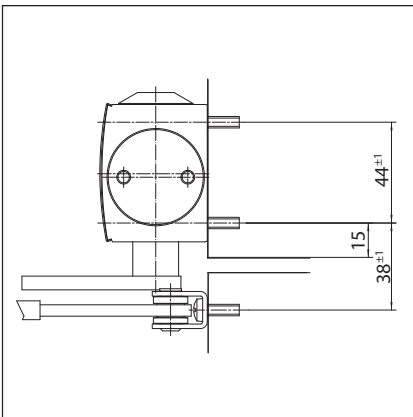
Transom installation/opposite hinge side TS 4000

View

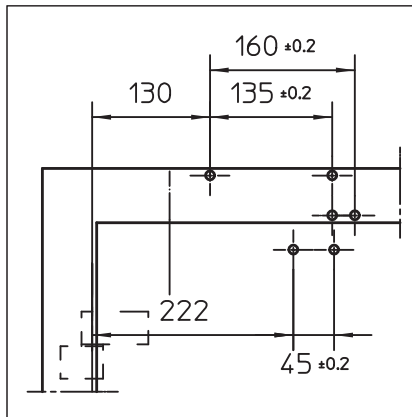


Installation example for GEZE TS 4000 1-6, TS 4000 S

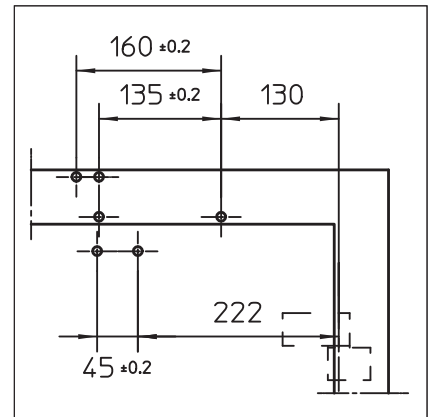
Direct installation



Cross section = direct installation

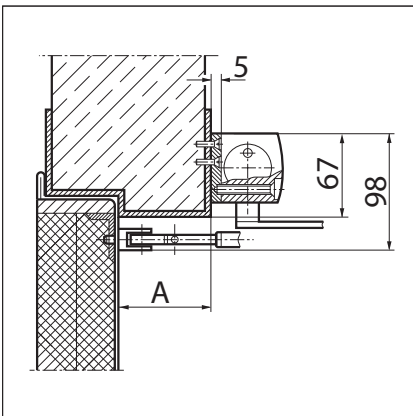


Fitting dimensions for right-hand door

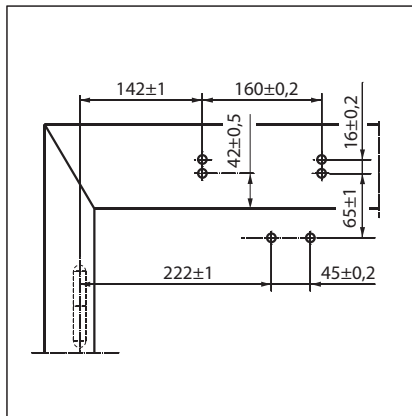


Fitting dimensions for left-hand door

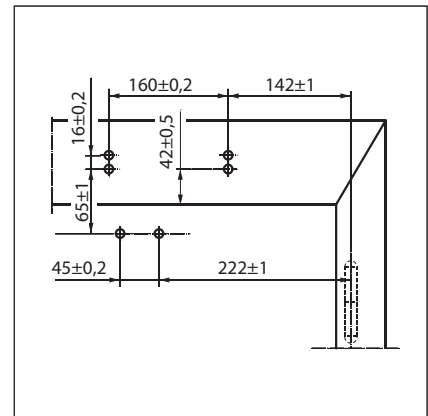
Installation with mounting plate



Cross section = installation with mounting plate
A = max. 70 mm lintel depth for fire and smoke protection doors



Fitting dimensions for right-hand door



Fitting dimensions for left-hand door

GEZE TS 4000 – Order information

Designation	Version	ID.No.
GEZE TS 4000 closer Size EN 1-6 with back check (without link arm)	silver-coloured	102789
	white RAL 9016	102791
	acc. to RAL ²⁾	102792
GEZE TS 4000 S closer Size EN 1-6 with delayed closing action and back check (without link arm)	silver-coloured	107745
	white RAL 9016	107747
	acc. to RAL ²⁾	107748
Link arm TS 4000/2000 ³⁾ With mechanical hold-open device	silver-coloured	102454
	white RAL 9016	102456
	acc. to RAL ²⁾	102457
Link arm TS 4000/2000 ³⁾ With mechanical hold-open device that can be switched on and off	silver-coloured	102445
	white RAL 9016	102447
	acc. to RAL ²⁾	102448
Link arm TS 4000/2000 Extended, for transom installation with a reveal depth of 70-170 mm	silver-coloured	102431
	white RAL 9016	102433
	acc. to RAL ²⁾	102434
Link arm TS 4000/2000 Standard	silver-coloured	102421
	white RAL 9016	102423
	simulated stainless steel ¹⁾	102426
	acc. to RAL ²⁾	102425

1) Only suitable for dry rooms

2) Surcharge for special RAL colours, see General Information

3) Not approved for fire and smoke protection doors in Germany

Installation material

Spindle extension for TS 4000/TS 2000 Crown type connection	10 mm	galvanised	103548
	10 mm	black	103677
	15 mm	galvanised	103549
	15 mm	black	103678
	20 mm	galvanised	103550
	20 mm	black	103679
Door closer drilling template For TS 5000/4000/3000/2000			053134
Glass clamping plate for door closer For TS 5000/TS 4000		silver-coloured	057126
		white RAL 9016	009491
		acc. to RAL ²⁾	009494
All-glass door mounting and counter plate For TS 5000/TS 4000		silver-coloured	007923
		acc. to RAL ²⁾	007926
Link arm mounting plate For TS 4000/2000, with narrow rebates		silver-coloured	057109
		acc. to RAL ²⁾	082506
Link arm mounting plate For TS 4000/2000, with parallel arm mounting		silver-coloured	053318
		acc. to RAL ²⁾	027460
Mounting plate for segmental arch door For TS 4000, max. arch height 130 mm		silver-coloured	058782
		acc. to RAL ²⁾	119472
Door closer mounting plate For TS 5000/4000 with hole pattern acc. to DIN EN 1154 Supplement 1		silver-coloured	049185
		white RAL 9016	068627
		galvanised	057956
		acc. to RAL ²⁾	029176
Lintel casing bracket for transom installation opposite hinge side For TS 5000/TS 4000		silver-coloured	049240
		acc. to RAL ²⁾	104451
Accessories			
Door closer cover cap For TS 5000/TS 4000, only suitable for door leaf installation		silver-coloured	067724
		white RAL 9016	067726
		brass	072698
		stainless steel	072696
		acc. to RAL ²⁾	000756

²⁾ Surcharge for special RAL colours, see General Information

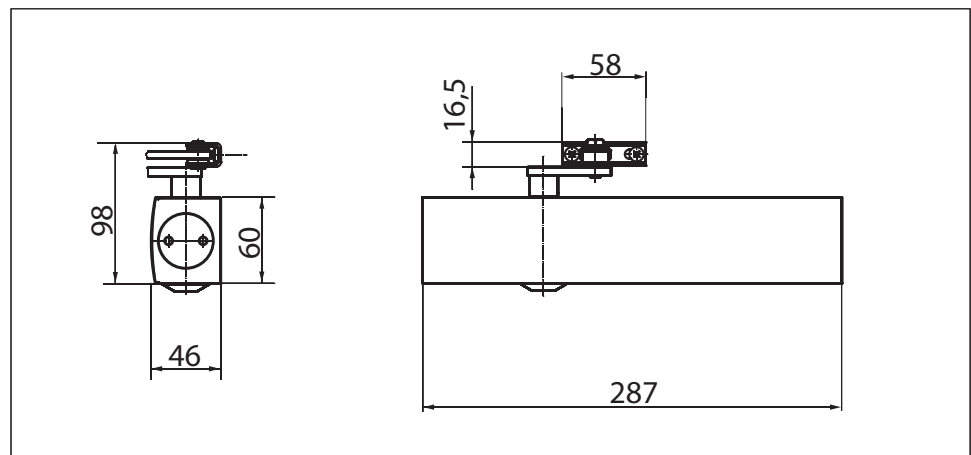
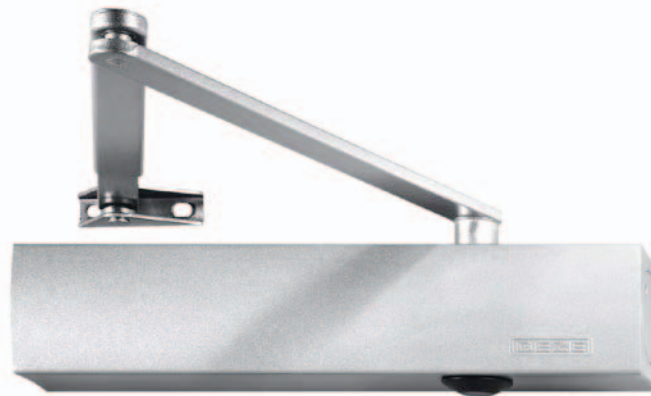
GEZE TS 4000 size 5-7

Link arm door closer for single-leaf doors with a leaf width of up to 1600 mm

TS 4000 overhead door closer is approved for use with left-hand and right-hand single-action doors with leaf widths of up to 1600 mm (without the need for conversion) and for installation on fire and smoke protection doors. The closing force in accordance with EN 1154 size 5-7 can be variably adjusted from the front and is easy to monitor thanks to the visual closing force display. The back check and thermo-constant closing speed are also adjustable from the front; the latching action is adjusted by means of the link arm. The closer features a safety valve for both the opening and closing directions.

Special versions:

- GEZE TS 4000 with hold-open linkage
hold-open angle of up to 150° (must not be used on fire and smoke protection doors, hold-open device only effective up to size EN 6)



Area of application

- For single-action doors, leaf width of up to 1600 mm
- For right and left hung doors without the need for conversion
- For fire protection doors (door closers with mounting plate)
- Standard installation on door leaf hinge side; transom installation on opposite hinge side also possible
- Can be installed on door leaf on opposite hinge side with parallel arm mounting

Closer technical data

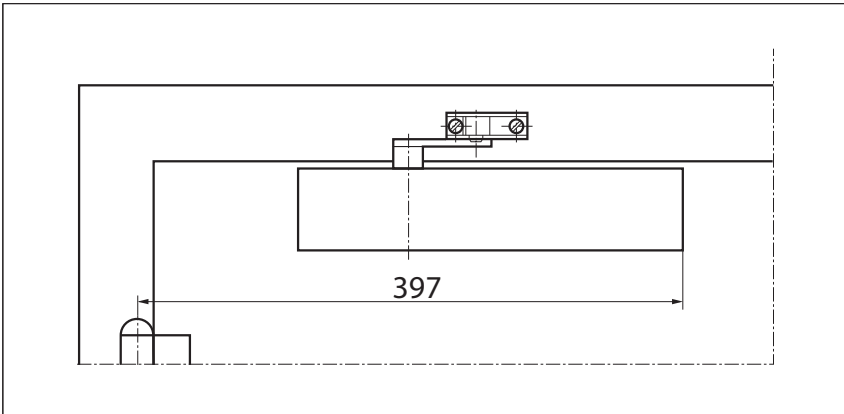
Product features	GEZE TS 4000 closer
Closing force in accordance with EN 1154	5 - 7
Leaf width recommended up to	1600 mm
Same version for DIN left and DIN right	●
Product tested in accordance with	Door closer tested in accordance with EN 1154
Suitable for fire protection doors	●
Mounting plate with hole pattern acc. to EN 1154 Supplement 1	●
Length	287 mm
Installation depth	46 mm
Height	60 mm
Functions	
Adjustable closing force	with variable adjustment
Adjustable closing speed	●
Adjustable latching action	via link arm
Integrated back check	hydraulically adjustable
Closing force adjustment position	Front
Visual closing force display	●
Safety valve as protection against vandalism	●
Thermo-constant valves	●

● = yes

○ = no

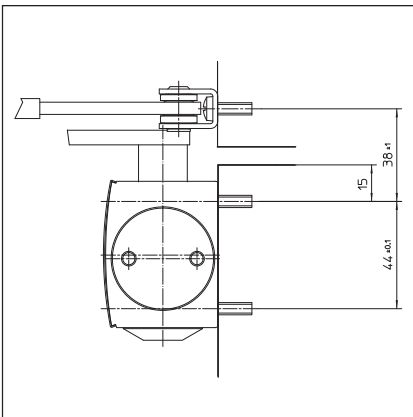
Door leaf installation/hinge side TS 4000 size 5-7

View

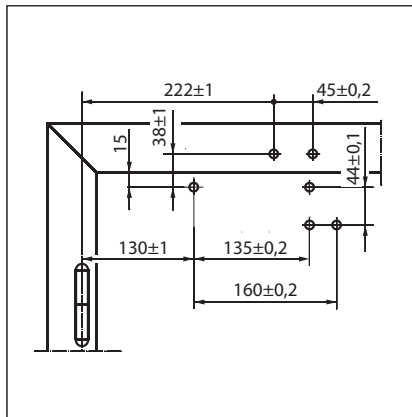


Installation example for GEZE TS 4000 5-7

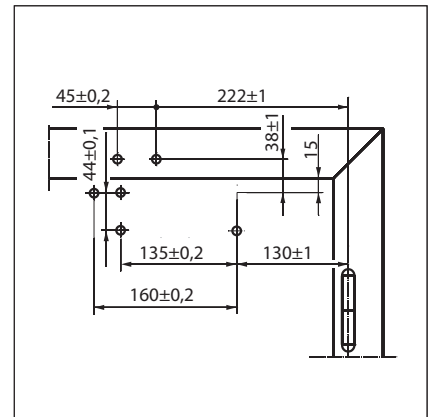
Direct installation



Cross section = direct installation

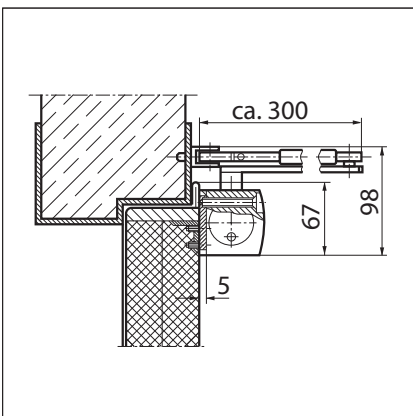


Fitting dimensions for left-hand door

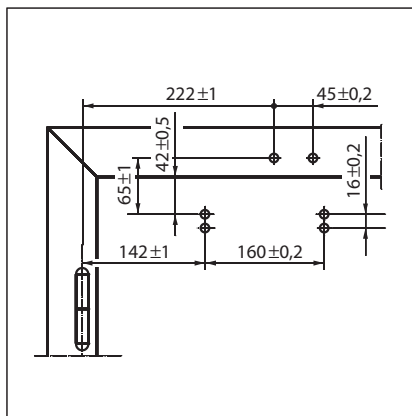


Fitting dimensions for right-hand door

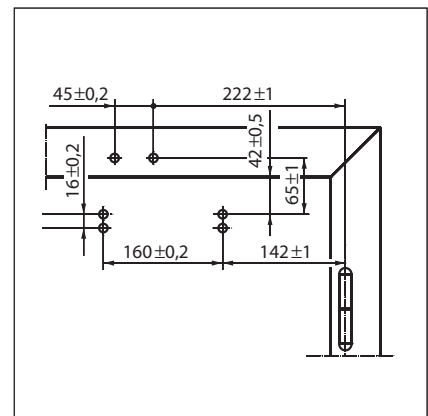
Installation with mounting plate



Cross section = installation with mounting plate



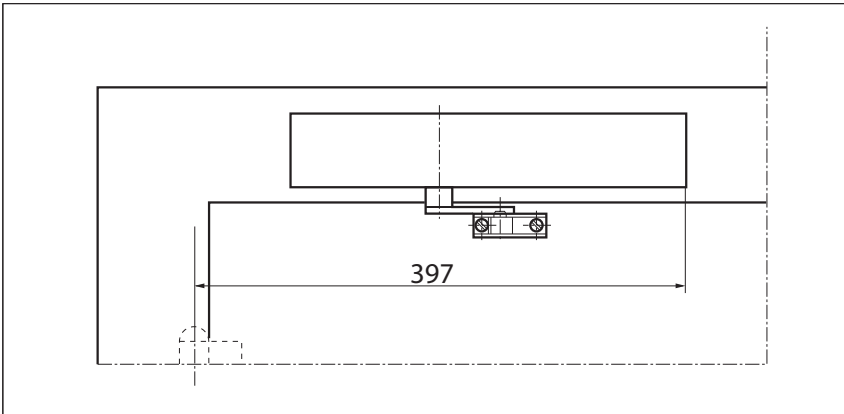
Fitting dimensions for left-hand door



Fitting dimensions for right-hand door

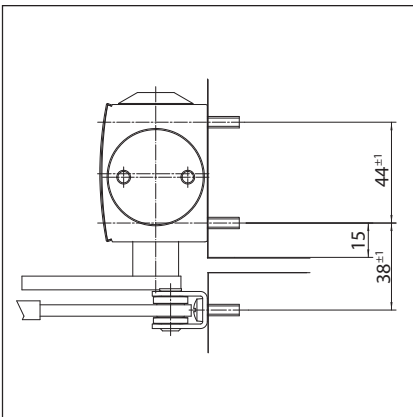
Transom installation/opposite hinge side TS 4000 size 5-7

View

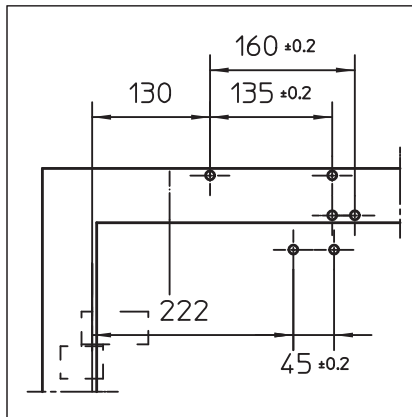


Installation example for GEZE TS 4000 5-7

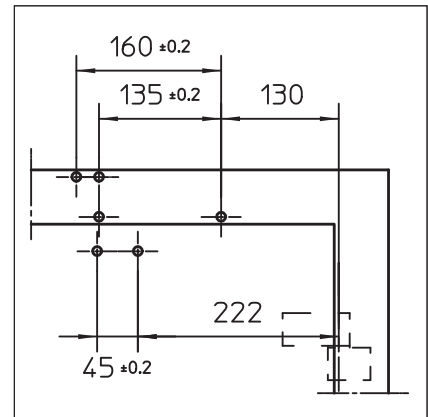
Direct installation



Cross section = direct installation

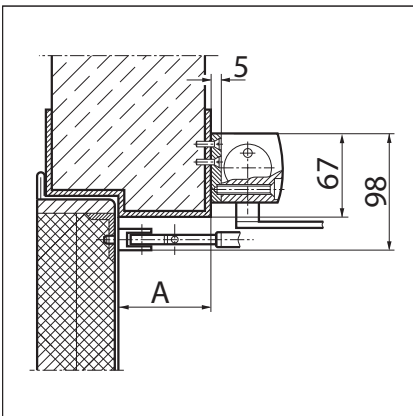


Fitting dimensions for right-hand door



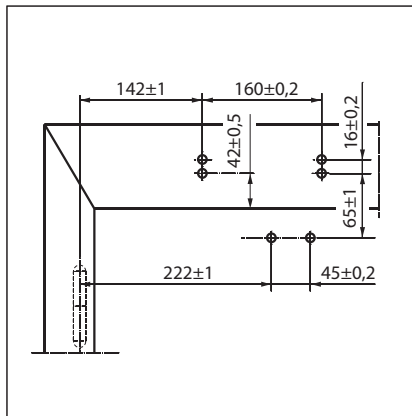
Fitting dimensions for left-hand door

Installation with mounting plate

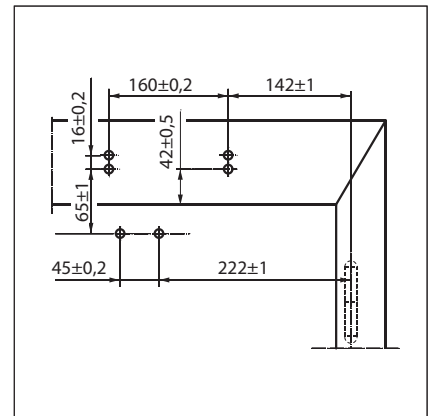


Cross section = installation with mounting plate

A = max. 70 mm lintel depth for fire and smoke protection doors



Fitting dimensions for right-hand door



Fitting dimensions for left-hand door

GEZE TS 1500 / TS 2000 / SYSTEM TS 4000

GEZE TS 4000 size 5-7 - Order information

Designation	Version	ID.No.
GEZE TS 4000 closer Size EN 5-7 with back check (without link arm)	silver-coloured	102837
	acc. to RAL ²⁾	102838
Link arm TS 4000/2000 ³⁾ With mechanical hold-open device	silver-coloured	102454
	white RAL 9016	102456
	acc. to RAL ²⁾	102457
Link arm TS 4000/2000 ³⁾ With mechanical hold-open device that can be switched on and off	silver-coloured	102445
	white RAL 9016	102447
	acc. to RAL ²⁾	102448
Link arm TS 4000/2000 Extended, for transom installation with a reveal depth of 70-170 mm	silver-coloured	102431
	white RAL 9016	102433
	acc. to RAL ²⁾	102434
Link arm TS 4000/2000 Standard	silver-coloured	102421
	white RAL 9016	102423
	simulated stainless steel ¹⁾	102426
	acc. to RAL ²⁾	102425
Installation material		
Spindle extension for TS 4000/TS 2000 Crown type connection	10 mm galvanised	103548
	10 mm black	103677
	15 mm galvanised	103549
	15 mm black	103678
	20 mm galvanised	103550
	20 mm black	103679
Door closer drilling template For TS 5000/4000/3000/2000		053134
Glass clamping plate for door closer For TS 5000/TS 4000	silver-coloured	057126
	white RAL 9016	009491
	acc. to RAL ²⁾	009494
All-glass door mounting and counter plate For TS 5000/TS 4000	silver-coloured	007923
	acc. to RAL ²⁾	007926
Link arm mounting plate For TS 4000/2000, with narrow rebates	silver-coloured	057109
	acc. to RAL ²⁾	082506
Link arm mounting plate For TS 4000/2000, with parallel arm mounting	silver-coloured	053318
	acc. to RAL ²⁾	027460
Mounting plate for segmental arch door For TS 4000, max. arch height 130 mm	silver-coloured	058782
	acc. to RAL ²⁾	119472
Door closer mounting plate For TS 5000/4000 with hole pattern acc. to DIN EN 1154 Supplement 1	silver-coloured	049185
	white RAL 9016	068627
	galvanised	057956
	acc. to RAL ²⁾	029176
Lintel casing bracket for transom installation opposite hinge side For TS 5000/TS 4000	silver-coloured	049240
	acc. to RAL ²⁾	104451
Accessories		
Door closer cover cap For TS 5000/TS 4000, only suitable for door leaf installation	silver-coloured	067724
	white RAL 9016	067726
	brass	072698
	stainless steel	072696
	acc. to RAL ²⁾	000756

1) Only suitable for dry rooms

2) Surcharge for special RAL colours, see General Information

3) Not approved for fire and smoke protection doors in Germany

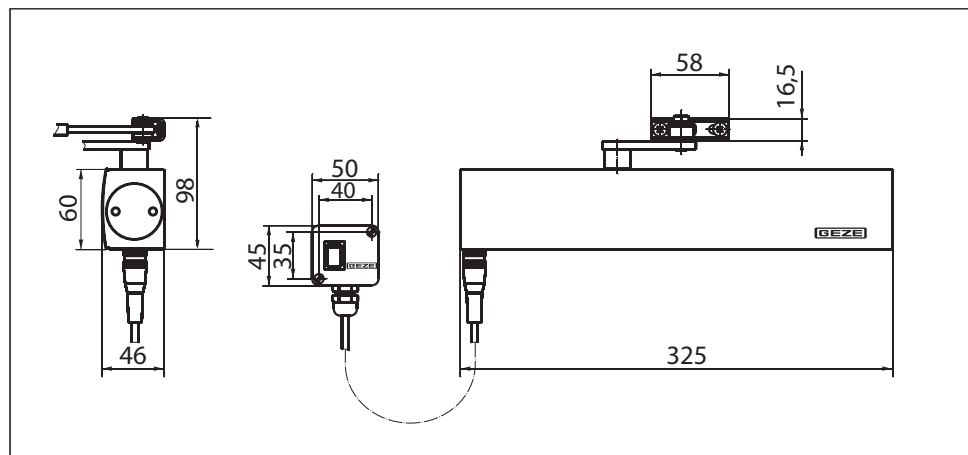
GEZE TS 4000 E

Link arm door closer for single-leaf doors of up to 1400 mm leaf width with electric hold-open device

TS 4000 E (24 V DC) overhead door closer, with an electric hold-open device with variable adjustment between 80° and 175° in accordance with EN 1155, is approved for use with left-hand and right-hand single-action doors with a door leaf width of up to 1400 mm and for installation on fire and smoke protection doors. In the event of a fire or power failure, the hold-open device is activated and the door closes securely. The size 1-6 closing force in accordance with EN 1154, with visual closing force display, and the thermo-constant closing speed can be conveniently adjusted from the front; the latching action is adjusted by means of the link arm.

Special version:

- GEZE TS 4000 E/transom installation on opposite hinge side 24 V DC



Area of application

- For single-action doors, leaf width of up to 1400 mm
- For right and left hung doors without the need for conversion
- For fire protection doors (door closers with mounting plate)
- Standard installation on door leaf hinge side; transom installation on opposite hinge side also possible

Closer technical data

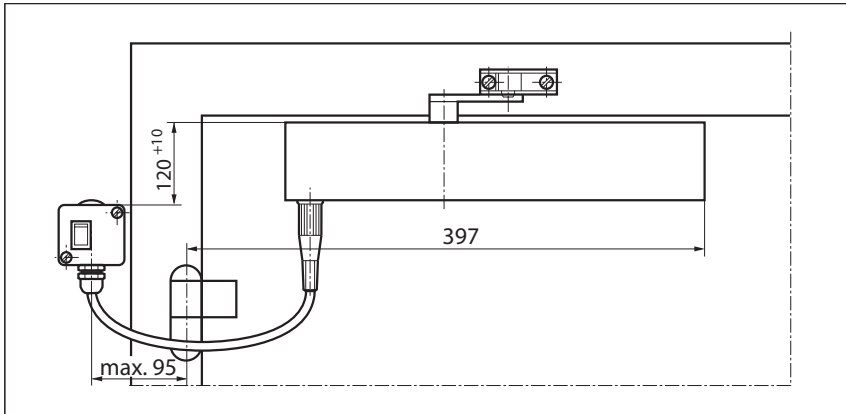
Product features	GEZE TS 4000 E closer
Closing force in accordance with EN 1154	1 - 6
Leaf width recommended up to	1400 mm
Same version for DIN left and DIN right	●
Supply voltage	24 V DC
IP rating	IP 43
Product tested in accordance with	Door closer tested in accordance with EN 1154 Hold-open device tested in accordance with EN 1155
Suitable for fire protection doors	●
Mounting plate with hole pattern acc. to EN 1154 Supplement 1	●
Length	325 mm
Installation depth	46 mm
Height	60 mm
Functions	
Adjustable closing force	with variable adjustment
Adjustable closing speed	●
Adjustable latching action	via link arm
Integrated back check	○
Closing force adjustment position	Front
Visual closing force display	●
Safety valve as protection against vandalism	●
Thermo-constant valves	●
Integrated hold-open device	Electric
Hold-open angle	80°-175°
Hold-open device can be overridden	●

● = yes

○ = no

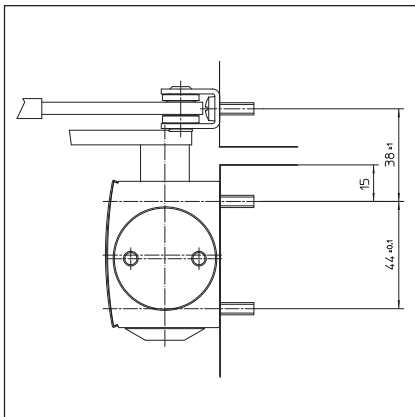
Door leaf installation/hinge side TS 4000 E

View

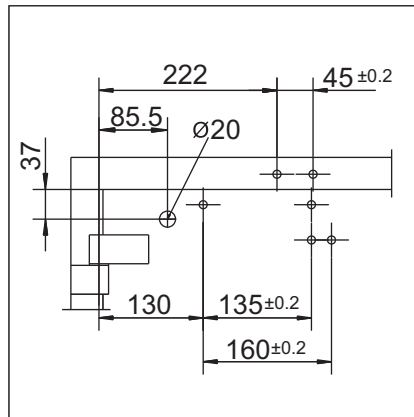


Installation example for GEZE TS 4000 E

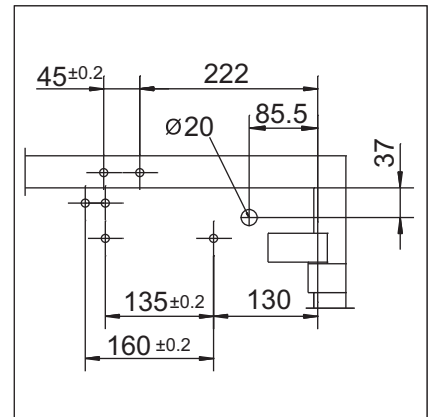
Direct installation



Cross section = direct installation

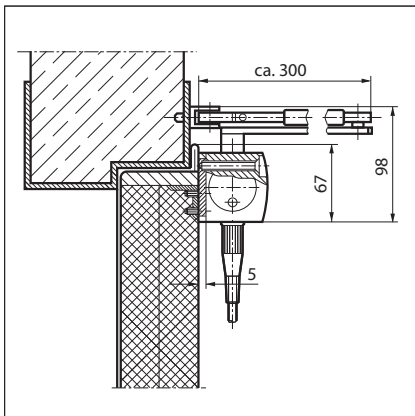


Fitting dimensions for left-hand door

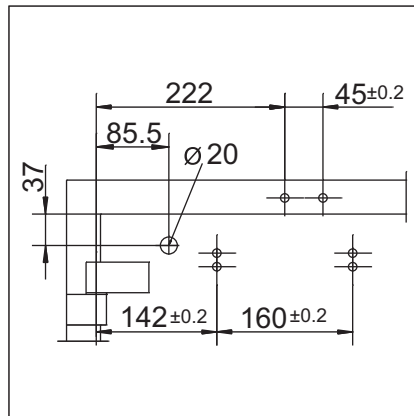


Fitting dimensions for right-hand door

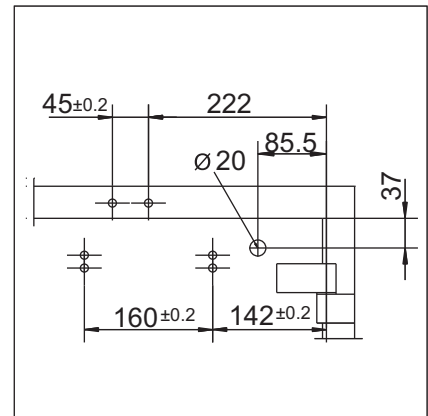
Installation with mounting plate



Cross section = installation with mounting plate



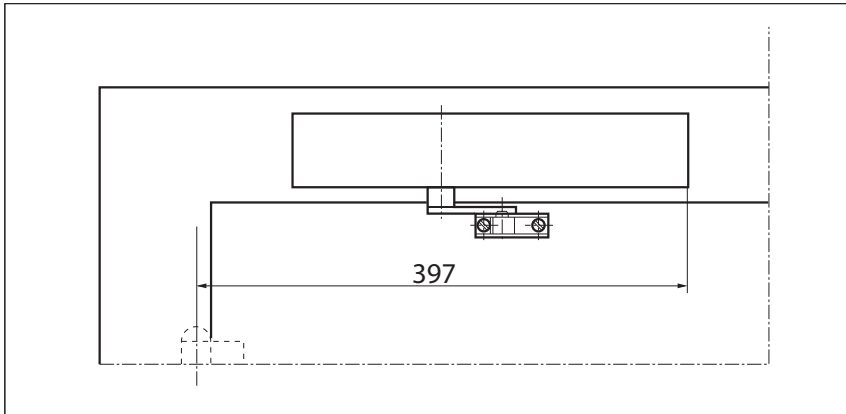
Fitting dimensions for left-hand door



Fitting dimensions for right-hand door

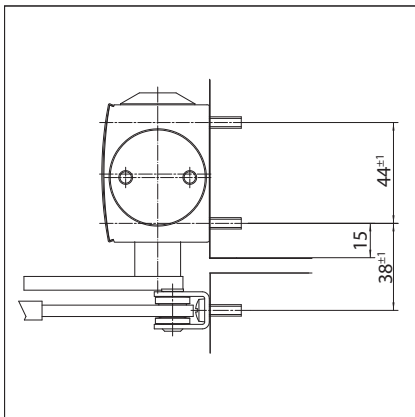
Transom installation/opposite hinge side TS 4000 E

View

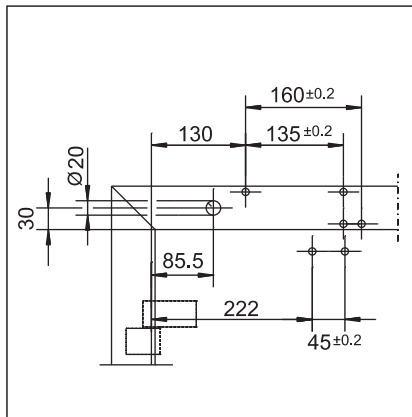


Installation example for GEZE TS 4000 E

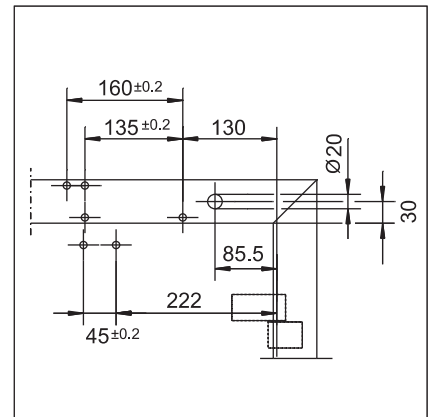
Direct installation



Cross section = direct installation

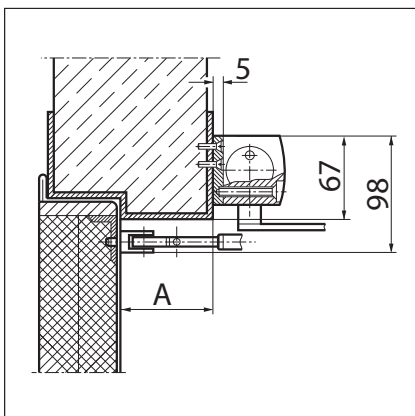


Fitting dimensions for right-hand door

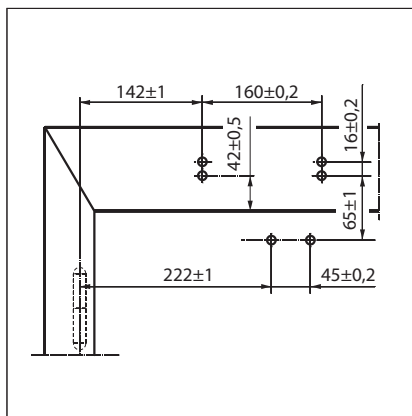


Fitting dimensions for left-hand door

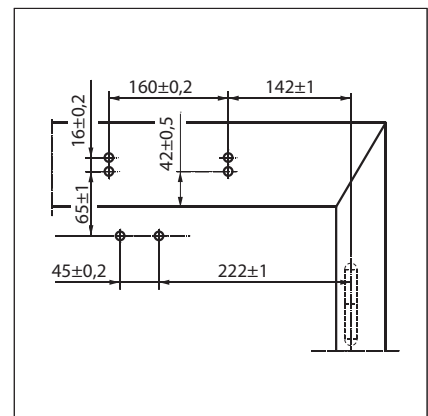
Installation with mounting plate



Cross section = installation with mounting plate
A = max. 70 mm lintel depth for fire and smoke protection doors



Fitting dimensions for right-hand door



Fitting dimensions for left-hand door

GEZE TS 4000 E - Order information

Designation	Version	ID.No.
GEZE TS 4000 E closer	silver-coloured	105211
Size EN 1-6, door leaf installation hinge side, with electric hold-open device and connector box (without link arm)	acc. to RAL ²⁾	105212
GEZE TS 4000 E KM BG closer	silver-coloured	105213
Size EN 1-6, transom installation opposite hinge side, with electric hold-open device (without link arm)	acc. to RAL ²⁾	105214
Link arm TS 4000/2000 Extended, for transom installation with a reveal depth of 70-170 mm	silver-coloured	102431
	white RAL 9016	102433
	acc. to RAL ²⁾	102434
Link arm TS 4000/2000 Standard	silver-coloured	102421
	white RAL 9016	102423
	simulated stainless steel ¹⁾	102426
	acc. to RAL ²⁾	102425
Installation material		
Spindle extension for TS 4000/TS 2000 Crown type connection	10 mm galvanised	103548
	10 mm black	103677
	15 mm galvanised	103549
	15 mm black	103678
	20 mm galvanised	103550
	20 mm black	103679
Door closer drilling template For TS 5000/4000/3000/2000		053134
Link arm mounting plate For TS 4000/2000, with narrow rebates	silver-coloured	057109
	acc. to RAL ²⁾	082506
Link arm mounting plate For TS 4000/2000, with parallel arm mounting	silver-coloured	053318
	acc. to RAL ²⁾	027460
Door closer mounting plate For TS 5000 EFS/RFS/EHY/4000 E with hole pattern acc. to DIN EN 1154 Supplement 1	silver-coloured	059107
	acc. to RAL ²⁾	100044
Accessories		
GEZE smoke switch control unit RSZ 6 Smoke switch and power supply for all GEZE hold-open devices	silver-coloured	099851
	white RAL 9016	099858
	simulated stainless steel ¹⁾	099856
	acc. to RAL ²⁾	099859
Set smoke switch control unit RSZ 6 ECwire Smoke switch control unit ECwire for simple wiring using 2-wire technology incl. 2 ceiling-mounted smoke detectors type GC 162 (white)	silver-coloured	154976
	white RAL 9016	154979
	simulated stainless steel ¹⁾	154991
	acc. to RAL ²⁾	154980
GEZE smoke detector GC 152 Complete with base, 24 V DC, 20 mA, tested in accordance with EN54-7, with general approval for use with all GEZE hold-open systems, integrated line monitoring, conform with DIN EN 14637	white	139850
GEZE thermal detector GC 153 Complete with base, 24 V DC, 20 mA, tested in accordance with EN54-5, with general approval for use with all GEZE hold-open systems, integrated line monitoring, conform with DIN EN 14637	white	139881
GEZE manual trigger switch Flush-mounted version, for manual release of electrically controllable hold-open devices including terminating resistance for line monitoring	alpine white / red	116266
GEZE manual trigger switch with glass cover and 5 interchangeable letterings Flush-mounted version, for manual release of electrically controllable hold-open devices including terminating resistance for line monitoring	alpine white	120880
Replacement glass cover for GEZE manual trigger switch 120880 and 120881		010994

1) Only suitable for dry rooms

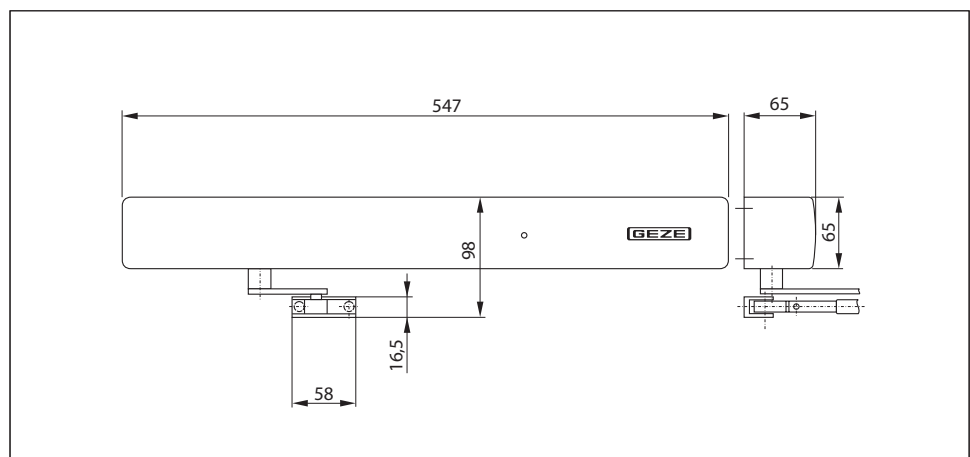
2) Surcharge for special RAL colours, see General Information

3) Not currently approved for fire and smoke protection doors, EN size 3, leaf width of up to 950 mm

GEZE TS 4000 R

Link arm door closer for single-leaf doors of up to 1400 mm leaf width with electric hold-open device and smoke switch control unit

TS 4000 R overhead door closer, with an electric hold-open device with variable adjustment between 80° and 175° in accordance with EN 1155 and a smoke switch control unit integrated into the closer cover, is approved for use with left-hand and right-hand single-action doors with a door leaf width of up to 1400 mm and for installation on fire and smoke protection doors. In the event of a fire, the smoke detector is activated and the door closes automatically. The size 1-6 closing force in accordance with EN 1154, with visual closing force display, and the thermo-constant closing speed can be conveniently adjusted from the front; the latching action is adjusted by means of the link arm. Official building approval of a general nature from the DIBt (German Centre of Competence for Construction) (not applicable to transom installation on the hinge side).



Area of application

- For single-action doors, leaf width of up to 1400 mm
- For right and left hung doors without the need for conversion
- For fire protection doors (door closers with mounting plate)
- Standard installation involving transom installation on opposite hinge side

Closer technical data

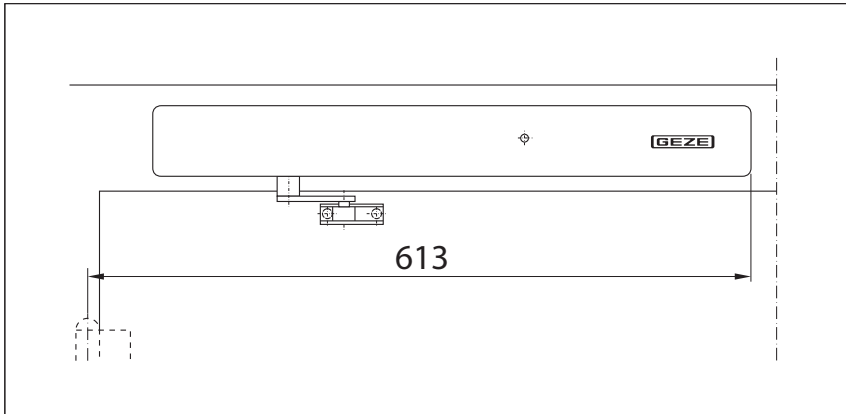
Product features	GEZE TS 4000 R KM BG closer
Closing force in accordance with EN 1154	1 - 6
Leaf width recommended up to	1400 mm
Same version for DIN left and DIN right	●
Supply voltage	230 V 50 Hz
IP rating	IP 20
Product tested in accordance with	Door closer tested in accordance with EN 1154 Hold-open device tested in accordance with EN 1155 Official building approval of a general nature from the DIBt (German Centre of Competence for Construction) for use as a hold-open system
Suitable for fire protection doors	●
Mounting plate with hole pattern acc. to EN 1154 Supplement 1	●
Length	547 mm
Installation depth	65 mm
Height	65 mm
Functions	
Adjustable closing force	with variable adjustment
Adjustable closing speed	●
Adjustable latching action	via link arm
Integrated back check	○
Closing force adjustment position	Front
Visual closing force display	●
Safety valve as protection against vandalism	●
Thermo-constant valves	●
Integrated hold-open device	Electric
Hold-open device can be overridden	●
Integrated smoke switch	●
With visual status display	●
With clogging indicator	●
With adaption of the alarm threshold	●
Integrated power supply	●

● = yes

○ = no

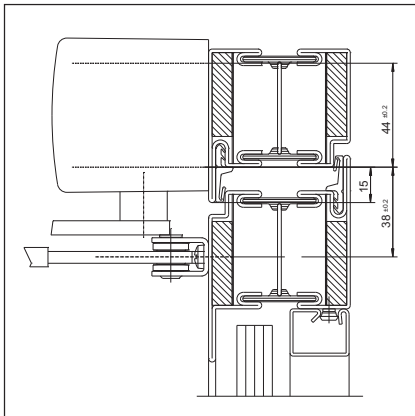
Transom installation/opposite hinge side TS 4000 R

View

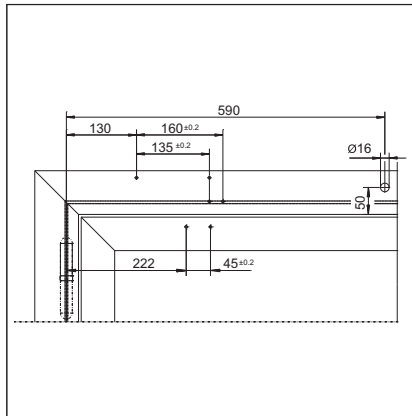


Installation example for GEZE TS 4000 R

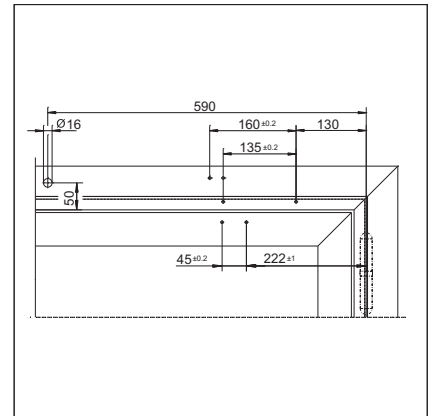
Direct installation



Cross section = direct installation

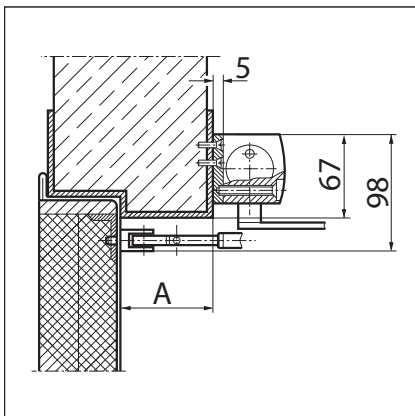


Fitting dimensions for right-hand door



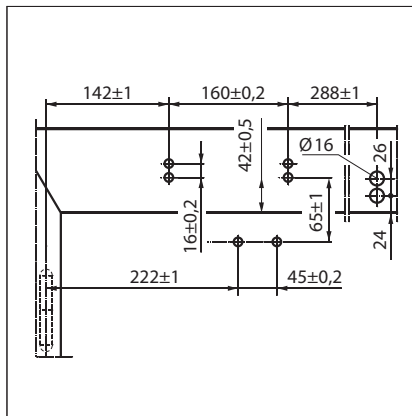
Fitting dimensions for left-hand door

Installation with mounting plate

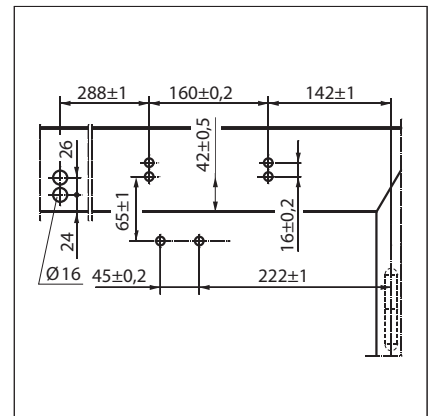


Cross section = installation with mounting plate

A = max. 70 mm lintel depth for fire and smoke protection doors



Fitting dimensions for right-hand door



Fitting dimensions for left-hand door

GEZE TS 4000 R - Order information

Designation	Version	ID.No.
GEZE TS 4000 R KM BG closer Size EN 1-6, transom installation opposite hinge side, with electric hold-open device and integrated smoke switch control unit (without link arm)	silver-coloured	105241
	acc. to RAL ²⁾	105242
Link arm TS 4000/2000 Extended, for transom installation with a reveal depth of 70-170 mm	silver-coloured	102431
	white RAL 9016	102433
Link arm TS 4000/2000 Standard	acc. to RAL ²⁾	102434
	silver-coloured	102421
	white RAL 9016	102423
	simulated stainless steel ¹⁾	102426
	acc. to RAL ²⁾	102425
Installation material		
Spindle extension for TS 4000/TS 2000 Crown type connection	10 mm galvanised	103548
	10 mm black	103677
	15 mm galvanised	103549
	15 mm black	103678
	20 mm galvanised	103550
	20 mm black	103679
Door closer mounting plate For TS 5000 RFS KM/4000 R & R-IS with hole pattern acc. to DIN EN 1154 Supplement 1	black	058808
Accessories		
GEZE smoke detector GC 152 Complete with base, 24 V DC, 20 mA, tested in accordance with EN54-7, with general approval for use with all GEZE hold-open systems, integrated line monitoring, conform with DIN EN 14637	white	139850
GEZE thermal detector GC 153 Complete with base, 24 V DC, 20 mA, tested in accordance with EN54-5, with general approval for use with all GEZE hold-open systems, integrated line monitoring, conform with DIN EN 14637	white	139881
GEZE manual trigger switch Flush-mounted version, for manual release of electrically controllable hold-open devices including terminating resistance for line monitoring	alpine white / red	116266
GEZE manual trigger switch with glass cover and 5 interchangeable letterings Flush-mounted version, for manual release of electrically controllable hold-open devices including terminating resistance for line monitoring	alpine white	120880
Replacement glass cover for GEZE manual trigger switch 120880 and 120881		010994

1) Only suitable for dry rooms

2) Surcharge for special RAL colours, see General Information

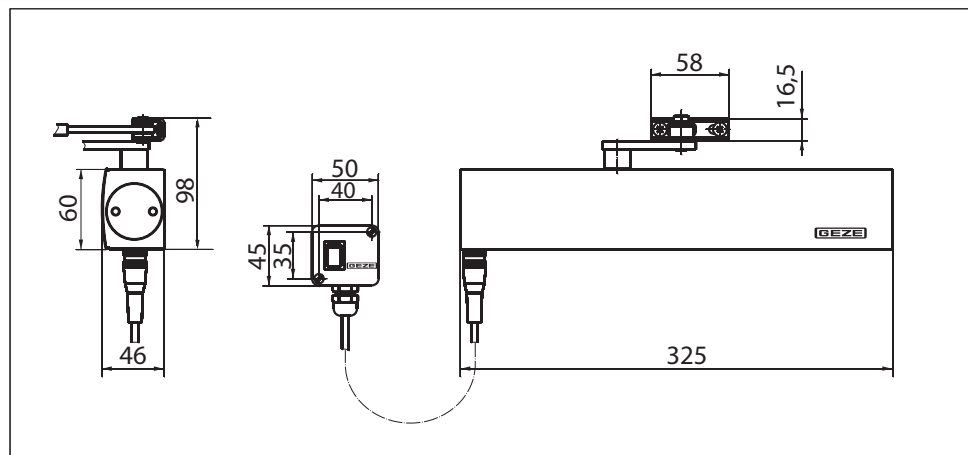
GEZE TS 4000 EFS

Link arm door closer for single-leaf doors with a leaf width of up to 1400 mm with electric free swing function

TS 4000 EFS (24 V DC) overhead door closer for single-leaf doors features what is known as a “free swing” function. This enables people to go through the door by applying very little in the way of physical force in the opening or closing direction once the freeswing function has been activated by opening the door to about 90° once e.g. in the morning. This makes it ideal, for example, for use in facilities for the elderly or in hospitals. TS 4000 EFS features an electric hold-open device with variable adjustment between 80° and 175° in accordance with EN 1155 to support the free swing function. It is approved for use with left-hand and right-hand single-action doors with a door leaf width of up to 1400 mm and for installation on fire and smoke protection doors. The size 1-6 closing force in accordance with EN 1154, with visual closing force display, and the thermo-constant closing speed can be conveniently adjusted from the front; the latching action is adjusted by means of the link arm.

Special version:

- GEZE TS 4000 EFS/transom installation on opposite hinge side 24 V DC



Area of application

- For single-action doors, leaf width of up to 1400 mm
- For right and left hung doors without the need for conversion
- For fire protection doors (door closers with mounting plate)
- Standard installation on door leaf hinge side; transom installation on opposite hinge side also possible

Closer technical data

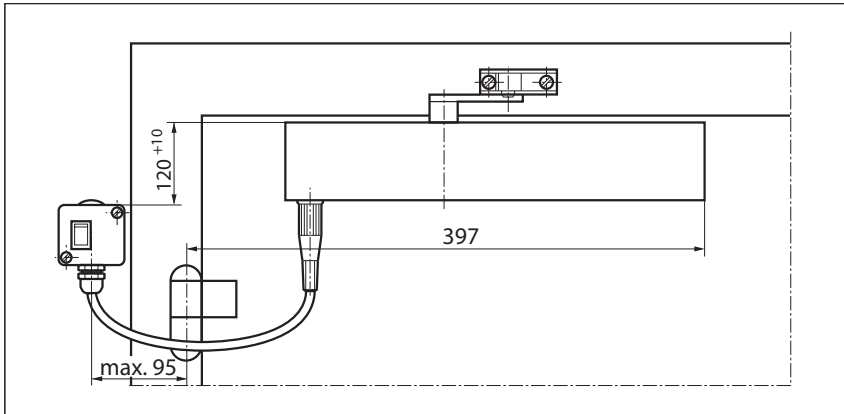
Product features	GEZE TS 4000 EFS closer
Closing force in accordance with EN 1154	1 - 6
Leaf width recommended up to	1400 mm
Same version for DIN left and DIN right	●
Supply voltage	24 V DC
IP rating	IP 43
Product tested in accordance with	Door closer tested in accordance with EN 1154 Hold-open device tested in accordance with EN 1155
Suitable for fire protection doors	●
Mounting plate with hole pattern acc. to EN 1154 Supplement 1	●
Length	325 mm
Installation depth	46 mm
Height	60 mm
Functions	
Adjustable closing force	with variable adjustment
Adjustable closing speed	●
Adjustable latching action	via link arm
Integrated back check	○
Closing force adjustment position	Front
Visual closing force display	●
Safety valve as protection against vandalism	●
Thermo-constant valves	●
Integrated hold-open device	Electric
Free swing area	80°-175°

● = yes

○ = no

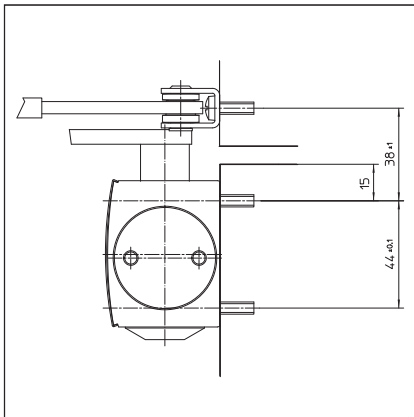
Door leaf installation/hinge side TS 4000 EFS

View

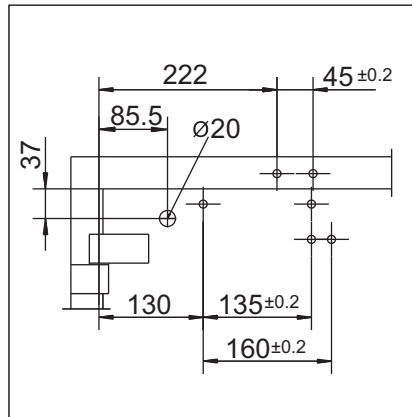


Installation example for GEZE TS 4000 EFS

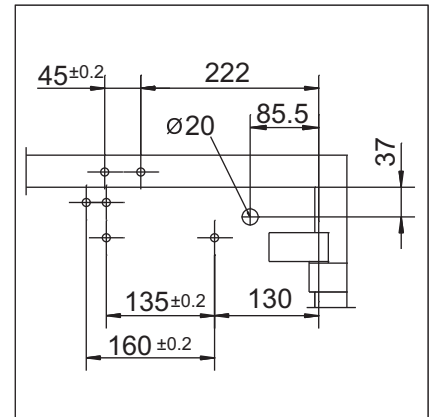
Direct installation



Cross section = direct installation

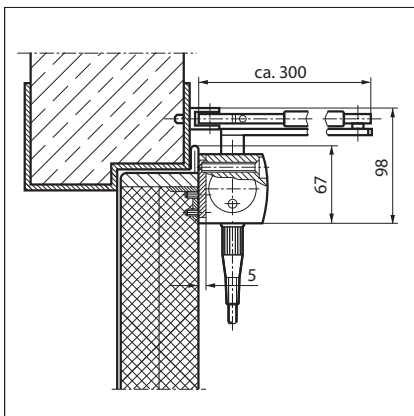


Fitting dimensions for left-hand door

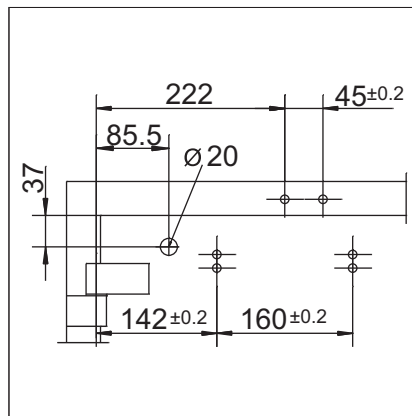


Fitting dimensions for right-hand door

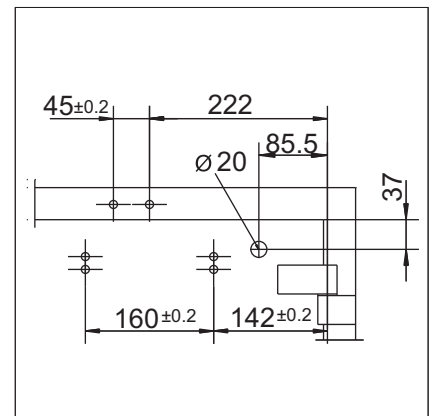
Installation with mounting plate



Cross section = installation with mounting plate



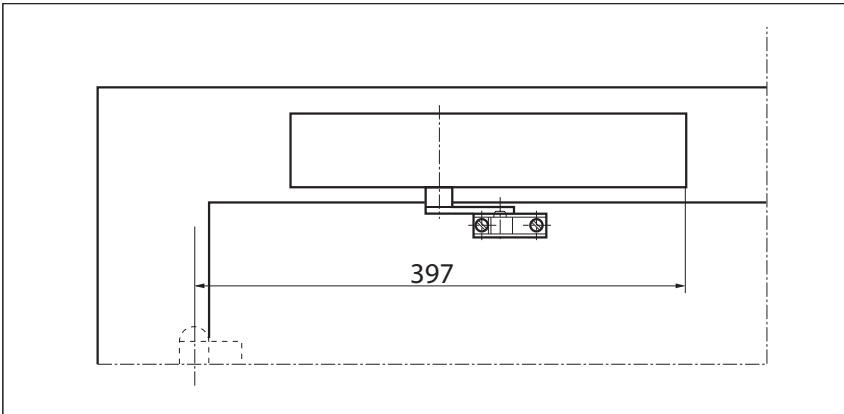
Fitting dimensions for left-hand door



Fitting dimensions for right-hand door

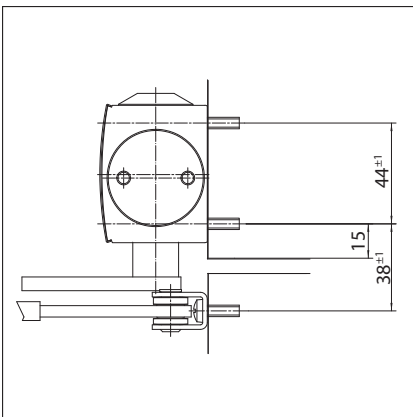
Transom installation/opposite hinge side TS 4000 EFS

View

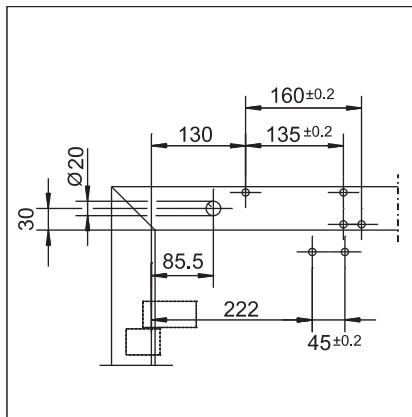


Installation example for GEZE TS 4000 EFS

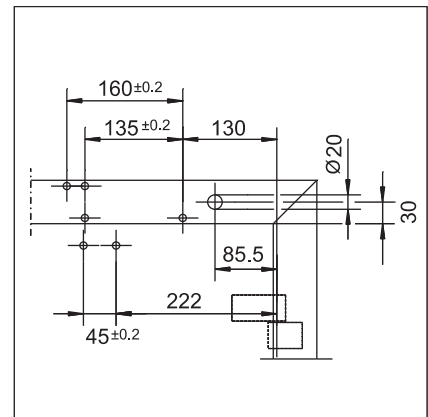
Direct installation



Cross section = direct installation

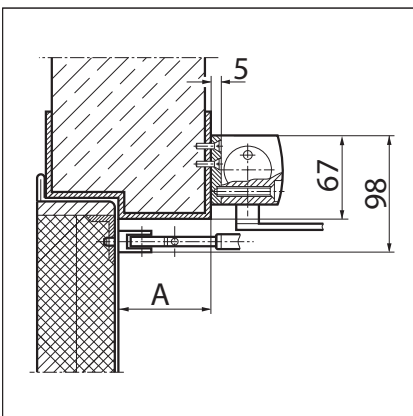


Fitting dimensions for right-hand door



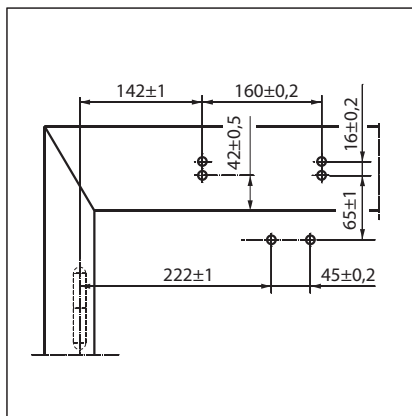
Fitting dimensions for left-hand door

Installation with mounting plate

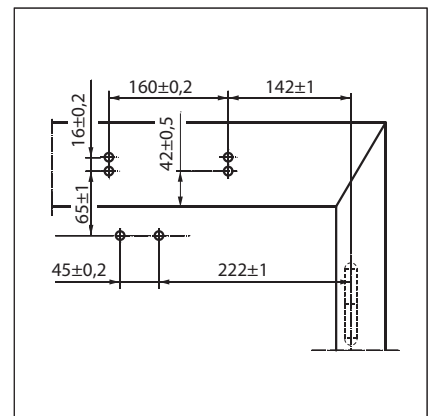


Cross section = installation with mounting plate

A = max. 70 mm lintel depth for fire and smoke protection doors



Fitting dimensions for right-hand door



Fitting dimensions for left-hand door

GEZE TS 4000 EFS - Order information

Designation	Version	ID.No.
GEZE TS 4000 EFS closer	silver-coloured	105211
Size EN 1-6, door leaf installation hinge side, with electric hold-open device for free swing function and connector box (without free swing link arm)	acc. to RAL	105212
GEZE TS 4000 EFS KM BG closer	silver-coloured	105213
Size EN 1-6, transom installation opposite hinge side, with electric hold-open device for free swing function (without free swing link arm)	acc. to RAL	105214
Link arm TS 4000 EFS/RFS	silver-coloured	106460
With free swing function	acc. to RAL ²⁾	106462
Installation material		
Spindle extension for TS 4000/TS 2000 Crown type connection	10 mm galvanised	103548
	10 mm black	103677
	15 mm galvanised	103549
	15 mm black	103678
	20 mm galvanised	103550
	20 mm black	103679
Door closer drilling template For TS 5000/4000/3000/2000		053134
Link arm mounting plate For TS 4000/2000, with narrow rebates	silver-coloured	057109
	acc. to RAL ²⁾	082506
Link arm mounting plate For TS 4000/2000, with parallel arm mounting	silver-coloured	053318
	acc. to RAL ²⁾	027460
Door closer mounting plate For TS 5000 EFS/RFS/EHY/4000 E with hole pattern acc. to DIN EN 1154 Supplement 1	silver-coloured	059107
	acc. to RAL ²⁾	100044
Accessories		
GEZE smoke switch control unit RSZ 6 Smoke switch and power supply for all GEZE hold-open devices	silver-coloured	099851
	white RAL 9016	099858
	simulated stainless steel ¹⁾	099856
	acc. to RAL ²⁾	099859
Set smoke switch control unit RSZ 6 ECwire Smoke switch control unit ECwire for simple wiring using 2-wire technology incl. 2 ceiling-mounted smoke detectors type GC 162 (white)	silver-coloured	154976
	white RAL 9016	154979
	simulated stainless steel ¹⁾	154991
	acc. to RAL ²⁾	154980
GEZE smoke detector GC 152 Complete with base, 24 V DC, 20 mA, tested in accordance with EN54-7, with general approval for use with all GEZE hold-open systems, integrated line monitoring, conform with DIN EN 14637	white	139850
GEZE thermal detector GC 153 Complete with base, 24 V DC, 20 mA, tested in accordance with EN54-5, with general approval for use with all GEZE hold-open systems, integrated line monitoring, conform with DIN EN 14637	white	139881
GEZE manual trigger switch Flush-mounted version, for manual release of electrically controllable hold-open devices including terminating resistance for line monitoring	alpine white / red	116266
GEZE manual trigger switch with glass cover and 5 interchangeable letterings Flush-mounted version, for manual release of electrically controllable hold-open devices including terminating resistance for line monitoring	alpine white	120880
Replacement glass cover for GEZE manual trigger switch 120880 and 120881		010994

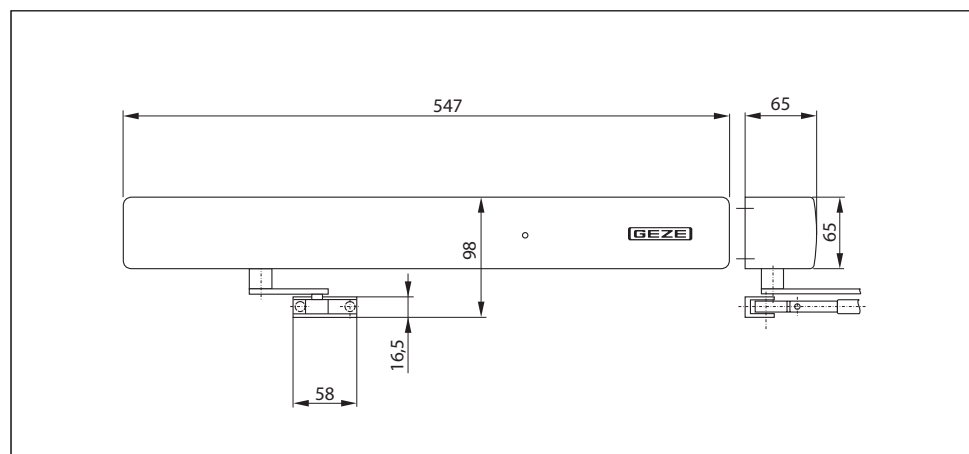
1) Only suitable for dry rooms

2) Surcharge for special RAL colours, see General Information

GEZE TS 4000 RFS

Link arm door closer for single-leaf doors with a leaf width of up to 1400 mm with electric free swing function and smoke switch control unit

TS 4000 RFS overhead door closer for single-leaf doors features what is known as a “free swing” function. This enables people to go through the door by applying very little in the way of physical force in the opening or closing direction once the free swing function has been activated by opening the door to about 90° once e.g. in the morning. This makes it ideal, for example, for use in facilities for the elderly or in hospitals. TS 4000 RFS features an electric hold-open device with variable adjustment in accordance with EN 1155 and a smoke switch control unit integrated into the closer cover. It is approved for use with left-hand and right-hand single-action doors with a door leaf width of up to 1400 mm and for installation on fire and smoke protection doors. The size 1-6 closing force in accordance with EN 1154, with visual closing force display, and the thermo-constant closing speed can be conveniently adjusted from the front; the latching action is adjusted by means of the link arm. The product has been granted official building approval of a general nature by the DIBt (German Centre of Competence for Construction) (EN 1155 and DIBt approval not applicable to transom installation on the hinge side).



Area of application

- For single-action doors, leaf width of up to 1400 mm
- For right and left hung doors without the need for conversion
- For fire protection doors (door closers with mounting plate)
- Standard installation involving transom installation on opposite hinge side

Closer technical data

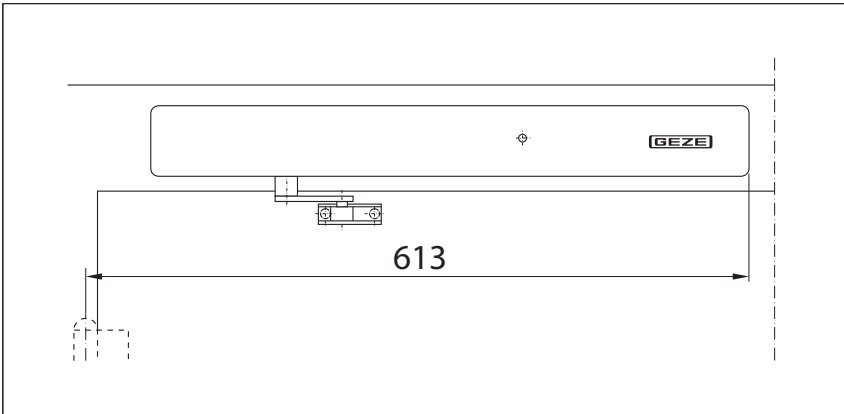
Product features	GEZE TS 4000 RFS KM BG closer
Closing force in accordance with EN 1154	1 - 6
Leaf width recommended up to	1400 mm
Same version for DIN left and DIN right	●
Supply voltage	230 V 50 Hz
IP rating	IP 20
Product tested in accordance with	Door closer tested in accordance with EN 1154 Hold-open device tested in accordance with EN 1155 Official building approval of a general nature from the DIBt (German Centre of Competence for Construction) for use as a hold-open system
Suitable for fire protection doors	●
Mounting plate with hole pattern acc. to EN 1154 Supplement 1	●
Length	547 mm
Installation depth	65 mm
Height	65 mm
Functions	
Adjustable closing force	with variable adjustment
Adjustable closing speed	●
Adjustable latching action	via link arm
Integrated back check	○
Closing force adjustment position	Front
Visual closing force display	●
Safety valve as protection against vandalism	●
Thermo-constant valves	●
Integrated hold-open device	Electric
Integrated smoke switch	●
With visual status display	●
With clogging indicator	●
With adaption of the alarm threshold	●
Integrated power supply	●
Free swing area	80°-175°

● = yes

○ = no

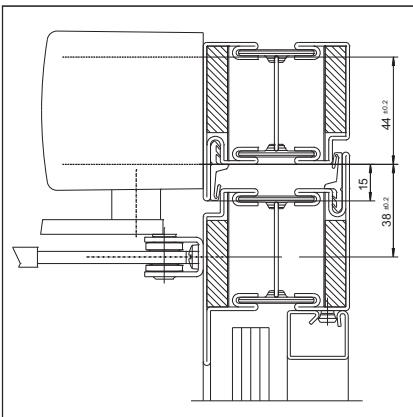
Transom installation/opposite hinge side TS 4000 RFS

View

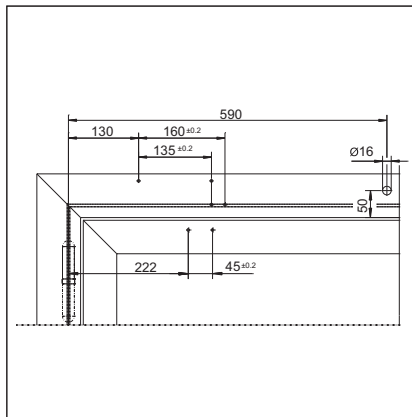


Installation example for GEZE TS 4000 RFS

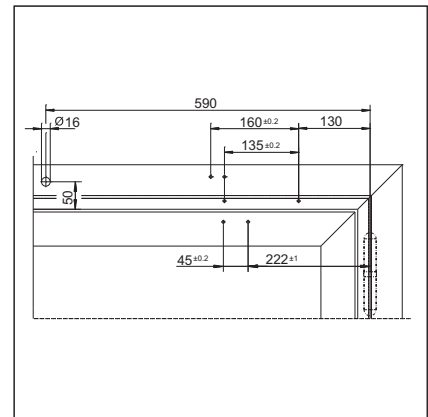
Direct installation



Cross section = direct installation

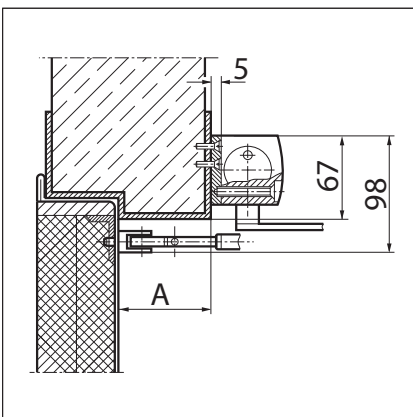


Fitting dimensions for right-hand door

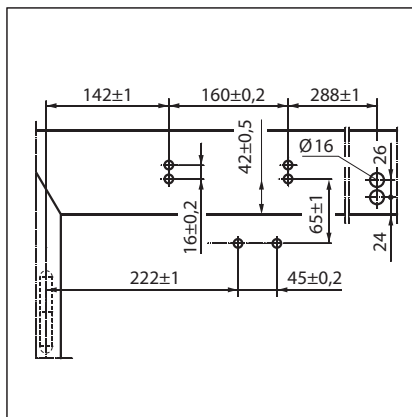


Fitting dimensions for left-hand door

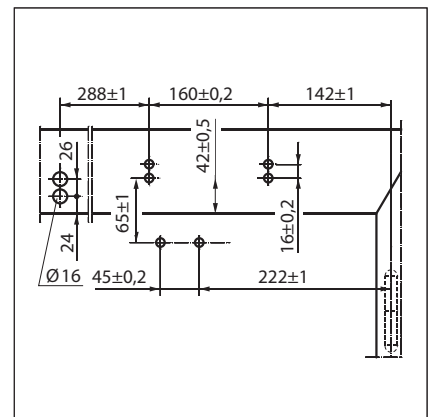
Installation with mounting plate



Cross section = installation with mounting plate,
A = max. 70 mm lintel depth for fire and
smoke protection doors



Fitting dimensions for right-hand door



Fitting dimensions for left-hand door

GEZE TS 4000 RFS - Order information

Designation	Version	ID.No.
GEZE TS 4000 RFS KM BG closer	silver-coloured	105241
Size EN 1-6, transom installation opposite hinge side, with electric hold-open device for free swing function and integrated smoke switch control unit (without free swing link arm)	acc. to RAL	105242
Link arm TS 4000 EFS/RFS	silver-coloured	106460
With free swing function	acc. to RAL ²⁾	106462
Installation material		
Spindle extension for TS 4000/TS 2000 Crown type connection	10 mm galvanised	103548
	10 mm black	103677
	15 mm galvanised	103549
	15 mm black	103678
	20 mm galvanised	103550
	20 mm black	103679
Door closer mounting plate For TS 5000 RFS KM/4000 R & R-IS with hole pattern acc. to DIN EN 1154 Supplement 1	black	058808
Accessories		
GEZE smoke detector GC 152 Complete with base, 24 V DC, 20 mA, tested in accordance with EN54-7, with general approval for use with all GEZE hold-open systems, integrated line monitoring, conform with DIN EN 14637	white	139850
GEZE thermal detector GC 153 Complete with base, 24 V DC, 20 mA, tested in accordance with EN54-5, with general approval for use with all GEZE hold-open systems, integrated line monitoring, conform with DIN EN 14637	white	139881
GEZE manual trigger switch Flush-mounted version, for manual release of electrically controllable hold-open devices including terminating resistance for line monitoring	alpine white / red	116266
GEZE manual trigger switch with glass cover and 5 interchangeable letterings Flush-mounted version, for manual release of electrically controllable hold-open devices including terminating resistance for line monitoring	alpine white	120880
Replacement glass cover for GEZE manual trigger switch 120880 and 120881		010994

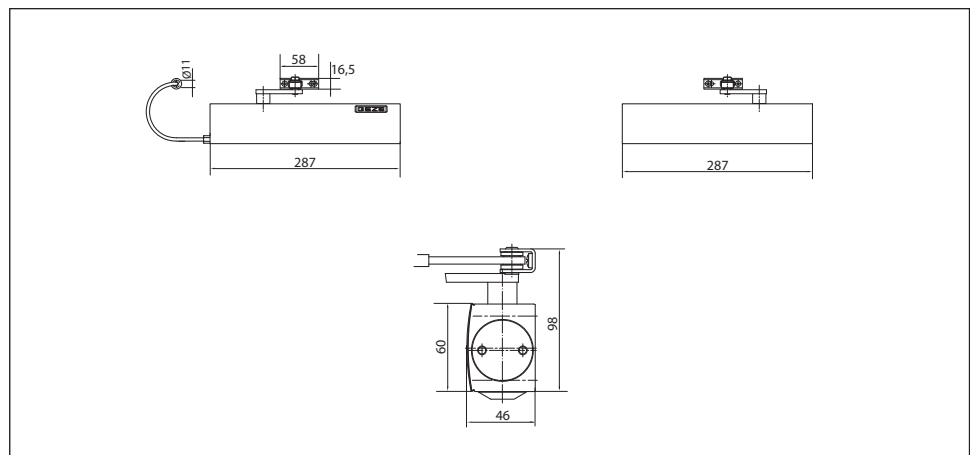
1) Only suitable for dry rooms

2) Surcharge for special RAL colours, see General Information

GEZE TS 4000 IS

Link arm door closer system for double-leaf doors with a hinge clearance of up to 2800 mm with integrated closing sequence control

TS 4000 IS overhead door closer system, with integrated hydraulic closing sequence control, is approved for installation on fire and smoke protection doors. The integrated closing sequence control, with protection against vandalism, ensures that both door leaves close in the correct order when used with double-leaf doors. When the door closes, the active leaf remains in the waiting position until the passive leaf is closed and until the active leaf is released by the closing sequence control. The size 1-6 closing force in accordance with EN 1154, with visual closing force display, and the closing speed can be adjusted from the front. The latching action is adjusted by means of the link arm.



Area of application

- For double-leaf doors, leaf width of up to 1400 mm
- For right and left hung doors without the need for conversion
- For fire protection doors (door closers with mounting plate)
- Standard installation on door leaf hinge side; transom installation on opposite hinge side also possible

Closer technical data

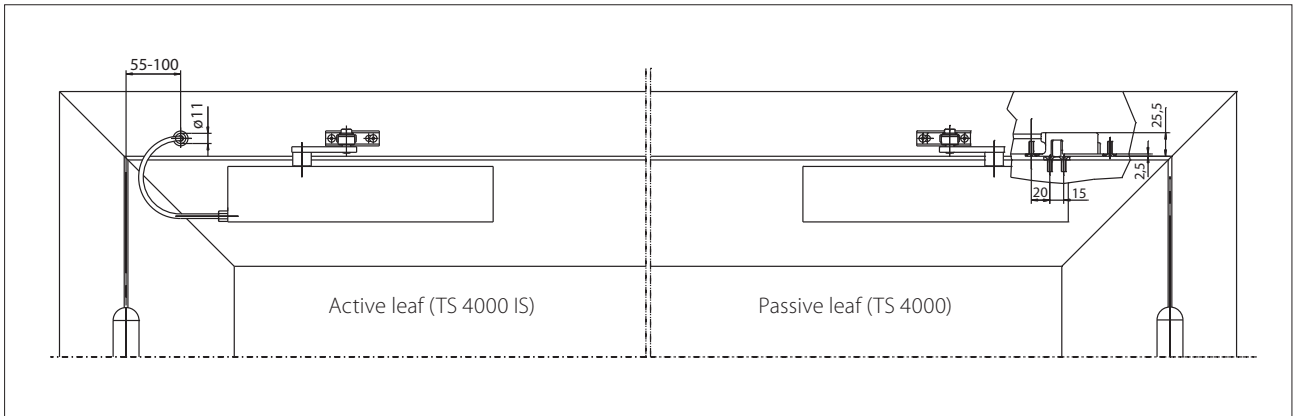
Product features	GEZE TS 4000 IS closer	GEZE TS 4000 closer
Closing force in accordance with EN 1154		1 - 6
Leaf width recommended up to		1400 mm
Same version for DIN left and DIN right	●	●
Product tested in accordance with	Door closer tested in accordance with EN 1154 Door closing sequence selector tested in accordance with EN 1158	Door closer tested in accordance with EN 1154
Suitable for fire protection doors	●	●
Mounting plate with hole pattern acc. to EN 1154 Supplement 1	●	●
Length		287 mm
Installation depth		46 mm
Height		60 mm
Functions		
Adjustable closing force		with variable adjustment
Adjustable closing speed	●	●
Adjustable latching action		via link arm
Integrated back check	○	hydraulically adjustable
Closing force adjustment position		Front
Visual closing force display	●	●
Safety valve as protection against vandalism	●	●
Thermo-constant valve	●	●
Integrated closing sequence control	●	

● = yes

○ = no

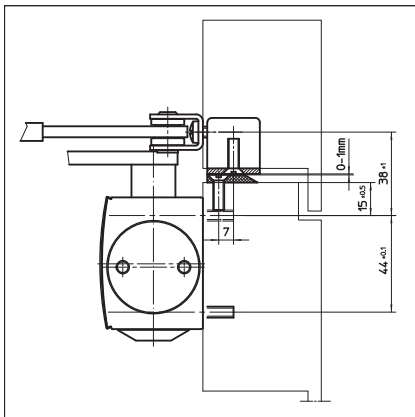
Door leaf installation/hinge side TS 4000 IS

View

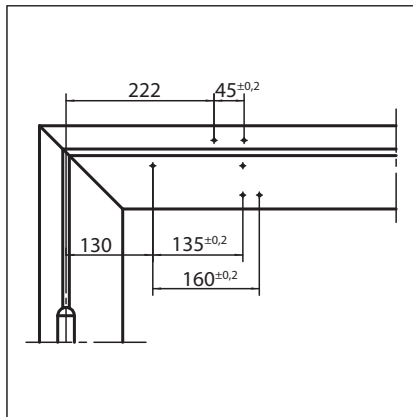


Installation example for GEZE TS 4000 IS

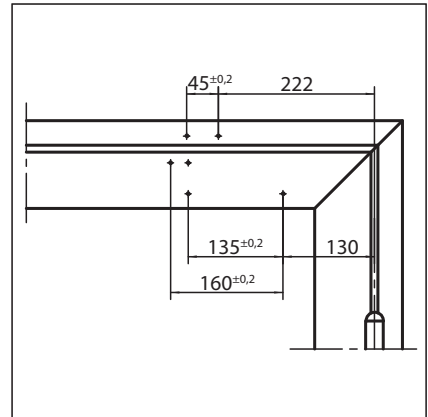
Direct installation



Cross section = direct installation

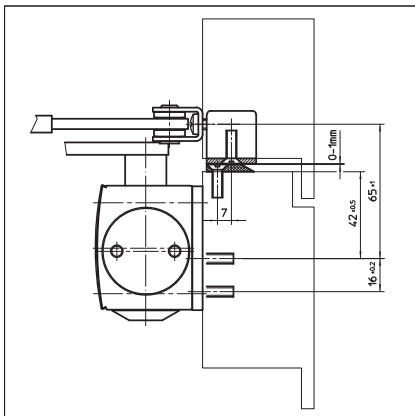


Fitting dimensions for left-hand door

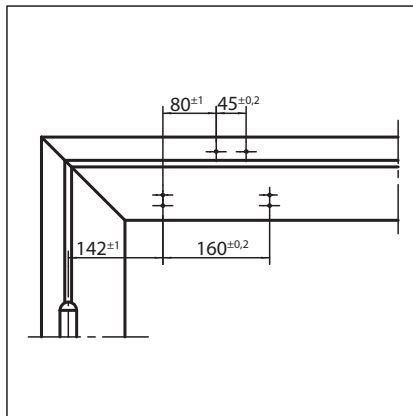


Fitting dimensions for right-hand door

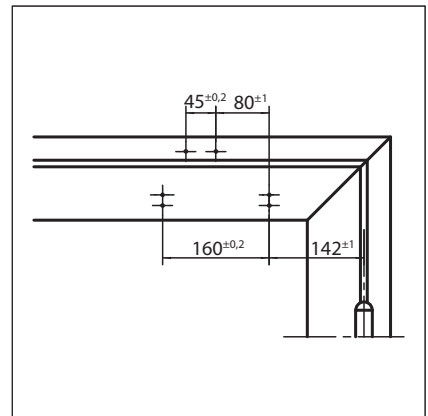
Installation with mounting plate



Cross section = installation with mounting plate



Fitting dimensions for left-hand door

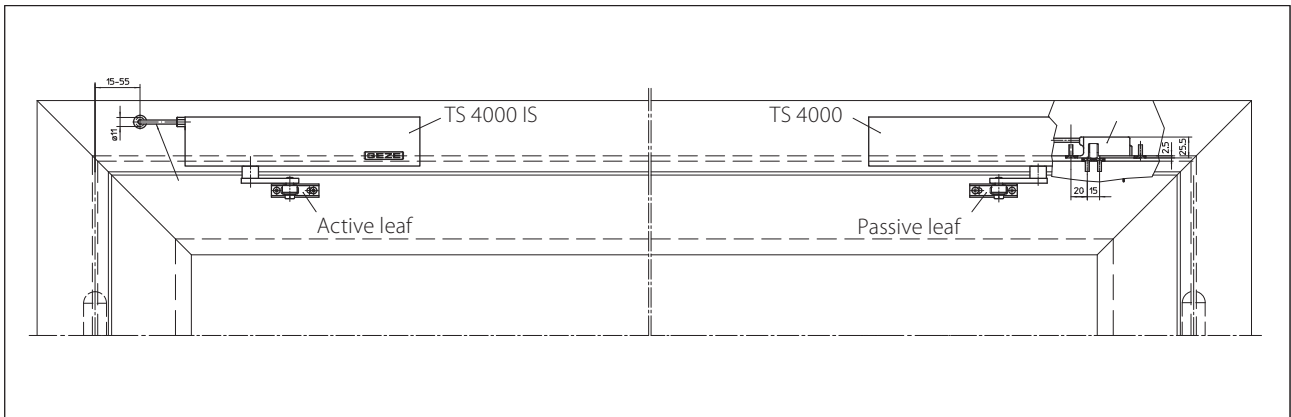


Fitting dimensions for right-hand door

GEZE TS 1500 / TS 2000 / SYSTEM TS 4000

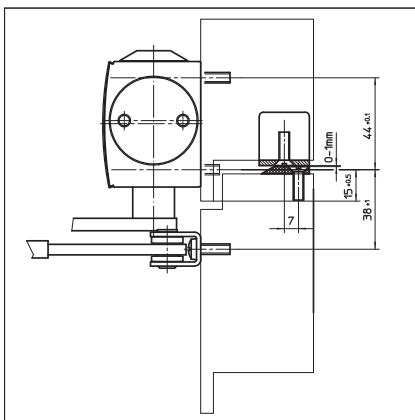
Transom installation/opposite hinge side TS 4000 IS

View

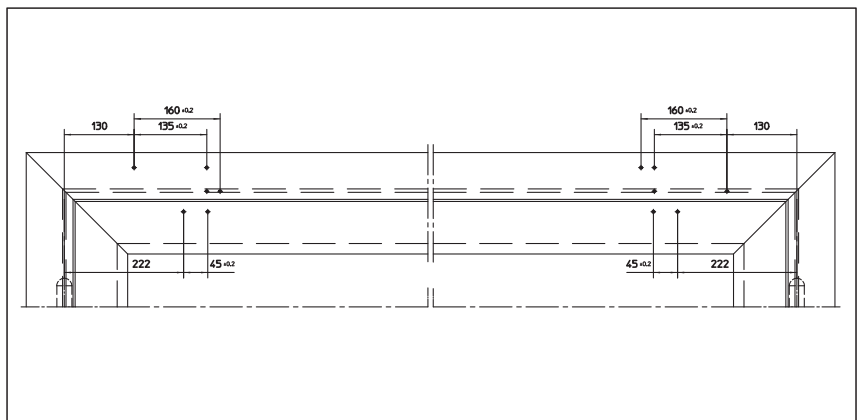


Installation example for GEZE TS 4000 IS

Direct installation

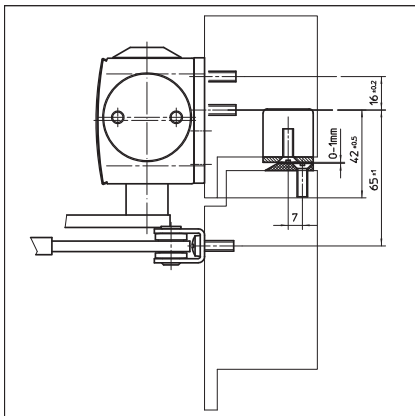


Cross section = direct installation

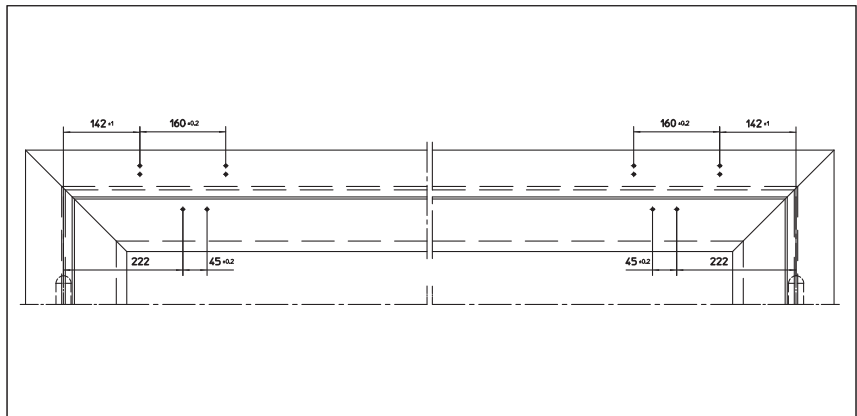


Fitting dimensions for right-hand leaf = active leaf, left-hand leaf = passive leaf

Installation with mounting plate

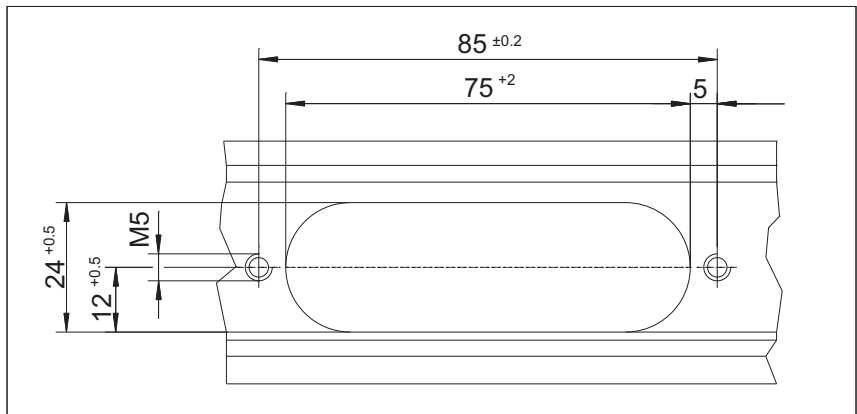


Cross section = installation with mounting plate



Fitting dimensions for right-hand leaf = active leaf, left-hand leaf = passive leaf

Recess for release mechanism



GEZE TS 4000 IS - Order information

Designation	Version	ID.No.
GEZE TS 4000 IS closer Size EN 1-6 with integrated closing sequence control (without release mechanism and link arm)	silver-coloured	102798
	white RAL 9016	102801
	acc. to RAL ²⁾	102802
GEZE TS 4000 closer Size EN 1-6 with back check (without link arm)	silver-coloured	102789
	white RAL 9016	102791
	acc. to RAL ²⁾	102792
Link arm TS 4000/2000 Extended, for transom installation with a reveal depth of 70-170 mm	silver-coloured	102431
	white RAL 9016	102433
	acc. to RAL ²⁾	102434
Link arm TS 4000/2000 Standard	silver-coloured	102421
	white RAL 9016	102423
	simulated stainless steel ¹⁾	102426
	acc. to RAL ²⁾	102425
Installation material		
Spindle extension for TS 4000/TS 2000 Crown type connection	10 mm galvanised	103548
	10 mm black	103677
	15 mm galvanised	103549
	15 mm black	103678
	20 mm galvanised	103550
	20 mm black	103679
Door closer drilling template for TS 5000/4000/3000/2000		053134
Glass clamping plate for door closer For TS 5000/TS 4000	silver-coloured	057126
	white RAL 9016	009491
	acc. to RAL ²⁾	009494
All-glass door mounting and counter plate For TS 5000/TS 4000	silver-coloured	007923
	acc. to RAL ²⁾	007926
Link arm mounting plate For TS 4000/2000, with narrow rebates	silver-coloured	057109
	acc. to RAL ²⁾	082506
Link arm mounting plate For TS 4000/2000, with parallel arm mounting	silver-coloured	053318
	acc. to RAL ²⁾	027460
Door closer mounting plate For TS 5000/4000 with hole pattern acc. to DIN EN 1154 Supplement 1	silver-coloured	049185
	white RAL 9016	068627
	galvanised	057956
Lintel casing bracket for transom installation opposite hinge side For TS 5000/TS 4000	acc. to RAL ²⁾	029176
	silver-coloured	049240
	acc. to RAL ²⁾	104451
Accessories		
Closing sequence control release mechanism For TS 4000 IS / E-IS	No.1 hinge clearance 1200-1500 mm	058306
	No.2 hinge clearance 1500-1800 mm	058307
	No.3 hinge clearance 1800-2100 mm	058308
	No.4 hinge clearance 2100-2400 mm	058309
	No.5 hinge clearance 2400-2700 mm	058310
	No.6 hinge clearance of more than 2700 mm	058311
GEZE carry bar CB flex for use on all 2-leaf rebated doors. Stepless, concealed length adjustment up to 210 mm leaf projection, hinged mechanism not visible, profile can be shortened if required, with attachment material	acc. to RAL ²⁾	153728
	silver-coloured	153602

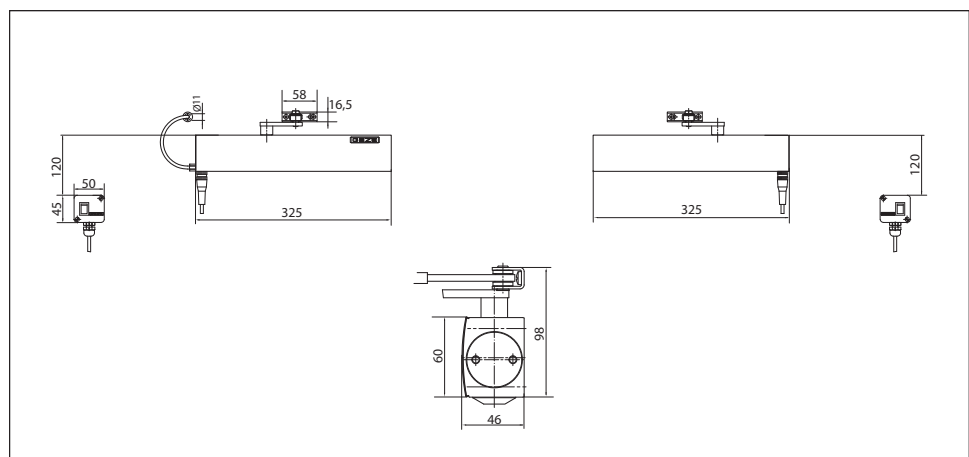
1) Only suitable for dry rooms

2) Surcharge for special RAL colours, see General Information

GEZE TS 4000 E-IS

Link arm door closer system for double-leaf doors with a hinge clearance of up to 2800 mm with integrated closing sequence control and electric hold-open device

TS 4000 E-IS (24 V DC) overhead door closer system, with integrated hydraulic closing sequence control and electric hold-open device, is approved for installation on fire and smoke protection doors. The integrated closing sequence control, with protection against vandalism, ensures that both door leaves close in the correct order when used with double-leaf doors. When the door closes, the active leaf remains in the waiting position until the passive leaf is closed and until the active leaf is released by the closing sequence control. The electric hold-open device can be variably adjusted between 80° and 175° in accordance with EN 1155. The size 1-6 closing force in accordance with EN 1154, with visual closing force display, and the closing speed can be adjusted from the front. The latching action is adjusted by means of the link arm.



Area of application

- For double-leaf doors, leaf width of up to 1400 mm
- For right and left hung doors without the need for conversion
- For fire protection doors (door closers with mounting plate)
- Standard installation on door leaf hinge side; transom installation on opposite hinge side also possible

Closer technical data

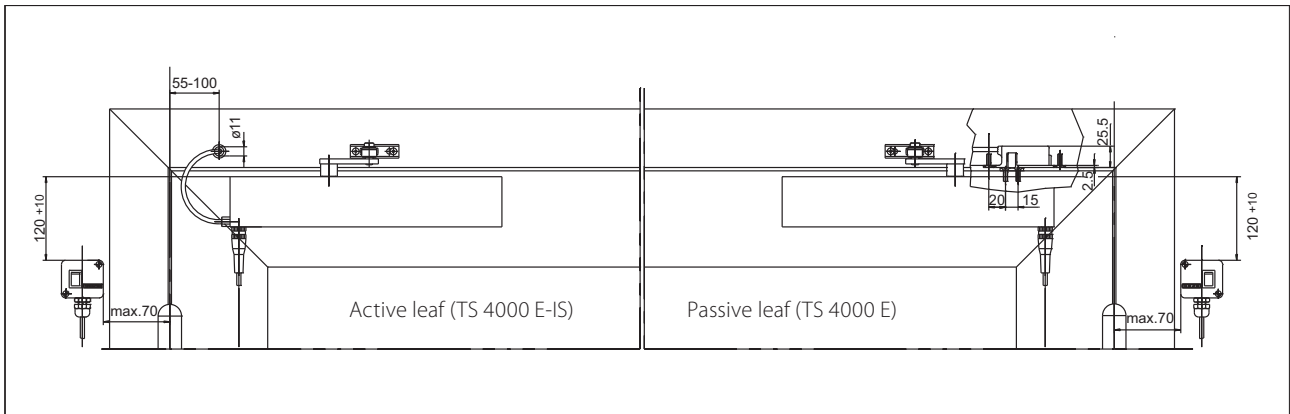
Product features	GEZE TS 4000 E-IS closer	GEZE TS 4000 E closer
Closing force in accordance with EN 1154		1 - 6
Leaf width recommended up to		1400 mm
Same version for DIN left and DIN right	●	●
Supply voltage		24 V DC
IP rating		IP 43
Product tested in accordance with	Door closer tested in accordance with EN 1154 Hold-open device tested in accordance with EN 1155 Door closing sequence selector tested in accordance with EN 1158	Door closer tested in accordance with EN 1154 Hold-open device tested in accordance with EN 1155
Suitable for fire protection doors	●	●
Mounting plate with hole pattern acc. to EN 1154 Supplement 1	●	●
Length		325 mm
Installation depth		46 mm
Height		60 mm
Functions		
Adjustable closing force		with variable adjustment
Adjustable closing speed	●	●
Adjustable latching action		via link arm
Integrated back check		○
Closing force adjustment position		Front
Visual closing force display	●	●
Safety valve as protection against vandalism	●	●
Thermo-constant valves	●	●
Integrated closing sequence control	●	
Integrated hold-open mechanism		Electric
Hold-open mechanism can be overridden	●	●
Hold-open angle		80°-175°

● = yes

○ = no

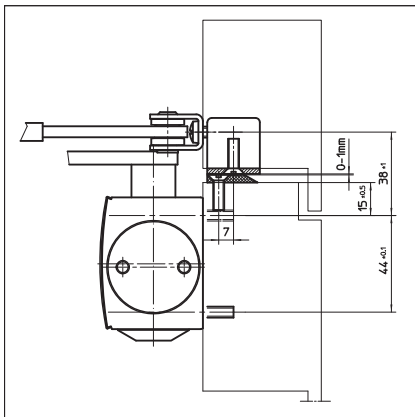
Door leaf installation/hinge side TS 4000 E-IS

View

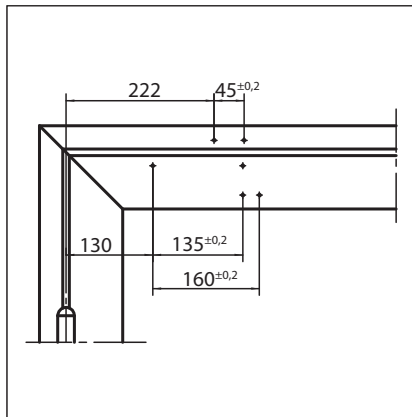


Installation example for GEZE TS 4000 E-IS

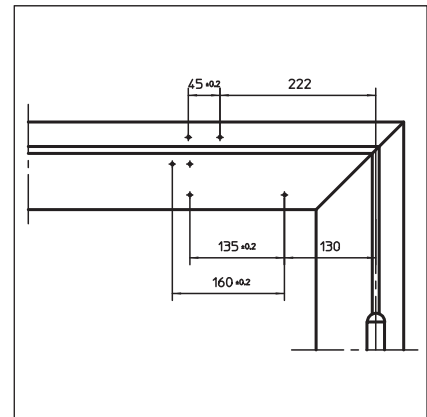
Direct installation



Cross section = direct installation

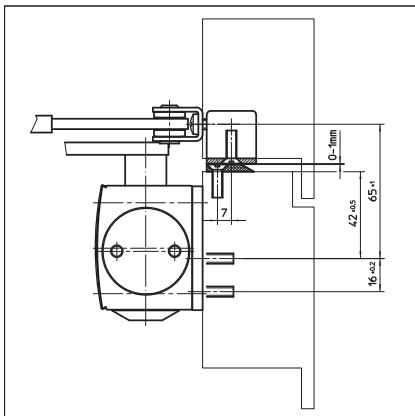


Fitting dimensions for left-hand door

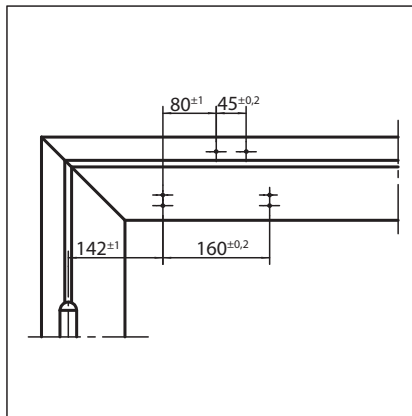


Fitting dimensions for right-hand door

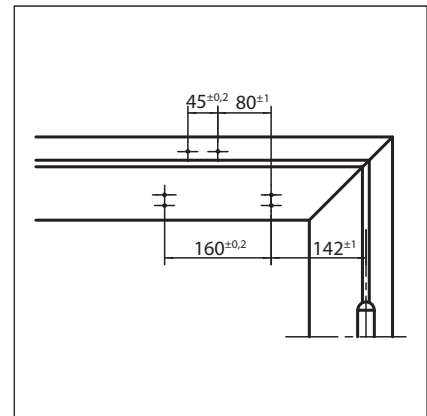
Installation with mounting plate



Cross section = installation with mounting plate



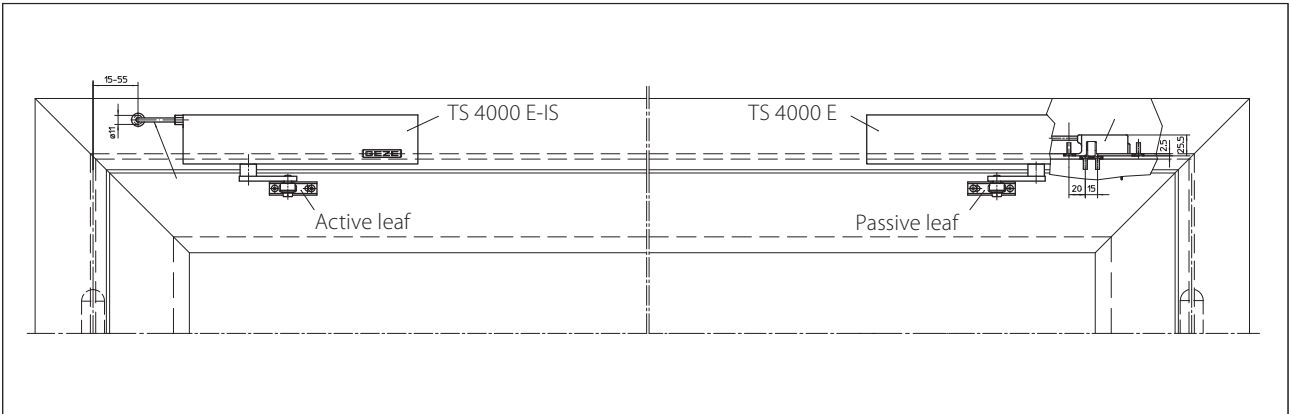
Fitting dimensions for left-hand door



Fitting dimensions for right-hand door

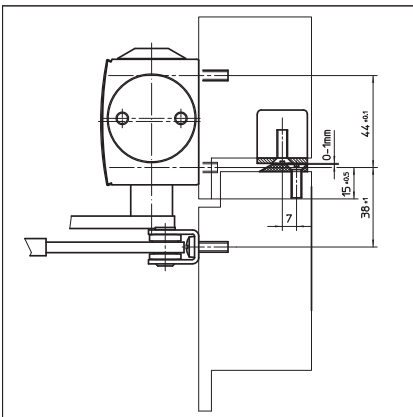
Transom installation/opposite hinge side TS 4000 E-IS

View

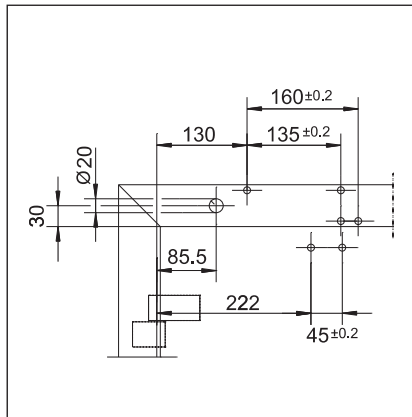


Installation example for GEZE TS 4000 E-IS

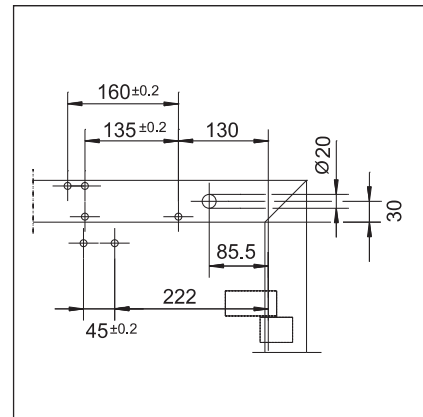
Direct installation



Cross section = direct installation

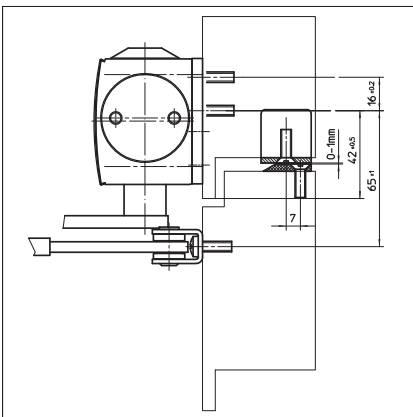


Fitting dimensions for right-hand door

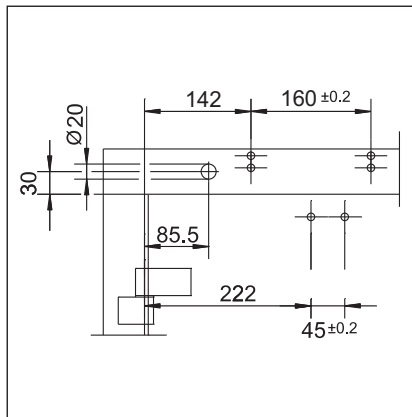


Fitting dimensions for left-hand door

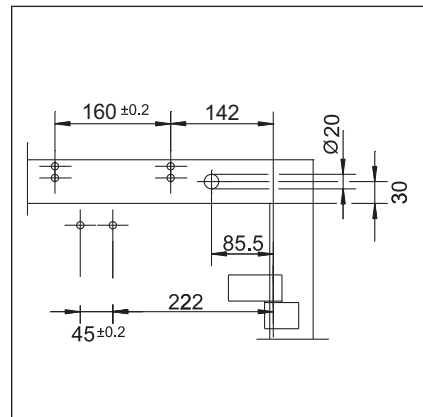
Installation with mounting plate



Cross section = installation with mounting plate



Fitting dimensions for right-hand door



Fitting dimensions for left-hand door

GEZE TS 4000 E-IS - Order information

Designation	Version	ID.No.	
GEZE TS 4000 E closer Size EN 1-6, door leaf installation hinge side, with electric hold-open device and connector box (without link arm)	silver-coloured acc. to RAL ²⁾	105211 105212	
GEZE TS 4000 E KM BG closer Size EN 1-6, transom installation opposite hinge side, with electric hold-open device (without link arm)	silver-coloured acc. to RAL ²⁾	105213 105214	
GEZE TS 4000 E-IS closer Size EN 1-6, door leaf installation hinge side, with electric hold-open device, connector box, integrated closing sequence control and mounting plate (without release mechanism and link arm)	silver-coloured acc. to RAL ²⁾	105237 105238	
GEZE TS 4000 E-IS KM BG closer Size EN 1-6, transom installation opposite hinge side, with electric hold-open device, integrated closing sequence control and mounting plate (without link arm and connector box)	silver-coloured acc. to RAL ²⁾	105239 105240	
Link arm TS 4000/2000 Extended, for transom installation with a reveal depth of 70-170 mm	silver-coloured	102431	
	white RAL 9016	102433	
	acc. to RAL ²⁾	102434	
Link arm TS 4000/2000 Standard	silver-coloured	102421	
	white RAL 9016	102423	
	simulated stainless steel ¹⁾	102426	
	acc. to RAL ²⁾	102425	
Installation material			
Spindle extension for TS 4000/TS 2000 Crown type connection	10 mm	galvanised	103548
	10 mm	black	103677
	15 mm	galvanised	103549
	15 mm	black	103678
	20 mm	galvanised	103550
	20 mm	black	103679
Door closer drilling template For TS 5000/4000/3000/2000		053134	
Link arm mounting plate For TS 4000/2000, with narrow rebates	silver-coloured	057109	
	acc. to RAL ²⁾	082506	
Link arm mounting plate For TS 4000/2000, with parallel arm mounting	silver-coloured	053318	
	acc. to RAL ²⁾	027460	
Door closer mounting plate For TS 5000 EFS/RFS/EHY/4000 E with hole pattern acc. to DIN EN 1154 Supplement 1	silver-coloured acc. to RAL ²⁾	059107 100044	

1) Only suitable for dry rooms

2) Surcharge for special RAL colours, see General Information

Accessories

Closing sequence control release mechanism For TS 4000 IS/E-IS/R-IS	No.1 hinge clearance 1200-1500 mm	058306
	No.2 hinge clearance 1500-1800 mm	058307
	No.3 hinge clearance 1800-2100 mm	058308
	No.4 hinge clearance 2100-2400 mm	058309
	No.5 hinge clearance 2400-2700 mm	058310
	No.6 hinge clearance of more than 2700 mm	058311
GEZE smoke switch control unit RSZ 6 Smoke switch and power supply for all GEZE hold-open devices	silver-coloured	099851
	white RAL 9016	099858
	simulated stainless steel ¹⁾	099856
	acc. to RAL ²⁾	099859
Set smoke switch control unit RSZ 6 ECwire Smoke switch control unit ECwire for simple wiring using 2-wire technology incl. 2 ceiling-mounted smoke detectors type GC 162 (white)	silver-coloured	154976
	white RAL 9016	154979
	simulated stainless steel ¹⁾	154991
	acc. to RAL ²⁾	154980
GEZE smoke detector GC 152 Complete with base, 24 V DC, 20 mA, tested in accordance with EN54-7, with general approval for use with all GEZE hold-open systems, integrated line monitoring, conform with DIN EN 14637	white	139850
GEZE thermal detector GC 153 Complete with base, 24 V DC, 20 mA, tested in accordance with EN54-5, with general approval for use with all GEZE hold-open systems, integrated line monitoring, conform with DIN EN 14637	white	139881
GEZE manual trigger switch Flush-mounted version, for manual release of electrically controllable hold-open devices including terminating resistance for line monitoring	alpine white / red	116266
GEZE manual trigger switch with glass cover and 5 interchangeable letterings Flush-mounted version, for manual release of electrically controllable hold-open devices including terminating resistance for line monitoring	alpine white	120880
Replacement glass cover for GEZE manual trigger switch 120880 and 120881		010994
GEZE carry bar CB flex for use on all 2-leaf rebated doors. Stepless, concealed length adjustment up to 210 mm leaf projection, hinged mechanism not visible, profile can be shortened if required, with attachment material	acc. to RAL ²⁾	153728
	silver-coloured	153602

1) Only suitable for dry rooms

2) Surcharge for special RAL colours, see General Information

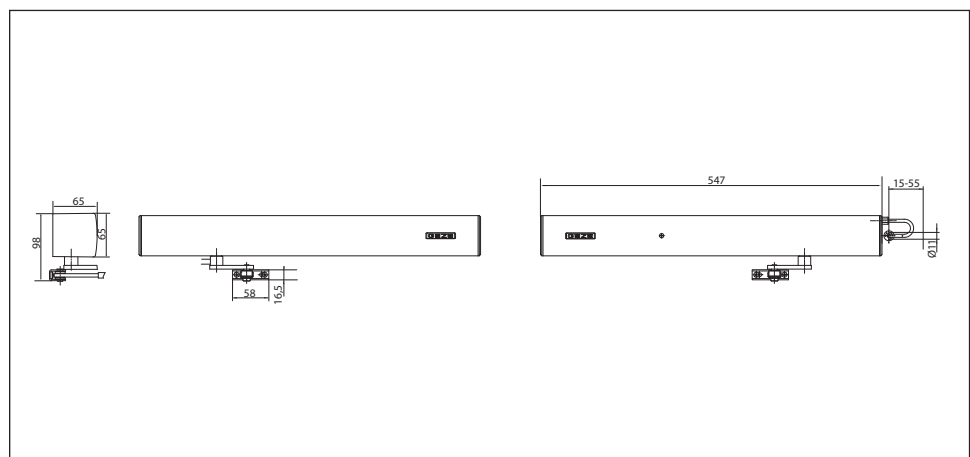
GEZE TS 4000 R-IS

Link arm door closer system for double-leaf doors with a hinge clearance of up to 2800 mm with integrated closing sequence control, electric hold-open device and smoke switch control unit

TS 4000 R-IS overhead door closer system, with integrated hydraulic closing sequence control, electric hold-open device and integrated smoke switch control unit, is approved for installation on fire and smoke protection doors. In the event of a fire, the smoke detector is activated and the door closes automatically. When used with double-leaf doors, the integrated closing sequence control ensures that both door leaves close in the correct order. When the door closes, the active leaf remains in the waiting position until the passive leaf is closed and until the active leaf is released by the closing sequence control. The electric hold-open device can be variably adjusted between 80° and 175° in accordance with EN 1155. The size 1-6 closing force in accordance with EN 1154, with visual closing force display, and the closing speed can be adjusted from the front. The latching action is adjusted by means of the link arm. The product has been granted official building approval of a general nature by the DIBt (German Centre of Competence for Construction).

Special version:

- GEZE door closer TS 4000 R-IS second unit
Second unit as TS 4000 R-IS without smoke switch and power supply for direct connection to GEZE TS 4000 R-IS, for an identical "look". The product has been tested in accordance with the EN 1154 and EN 1155 standards.



Area of application

- For double-leaf doors, leaf width of up to 1400 mm
- For right and left hung doors without the need for conversion
- For fire protection doors (door closers with mounting plate)
- Standard installation involving transom installation on opposite hinge side
- Transom installation hinge side with guide rail possible, closing force EN3, not approved for fire protection doors

GEZE TS 1500 / TS 2000 / SYSTEM TS 4000

Closer technical data

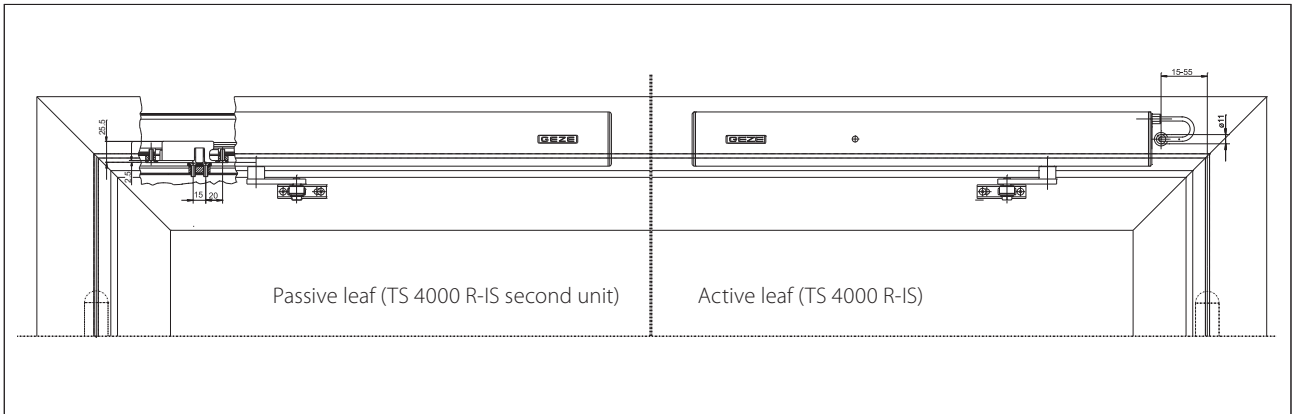
Product features	GEZE TS 4000 R-IS KM BG closer	GEZE TS 4000 R-IS KM BG closer second unit
Closing force in accordance with EN 1154		1 - 6
Leaf width recommended up to		1400 mm
Same version for DIN left and DIN right	●	●
Supply voltage	230 V 50 Hz	24 V
IP rating		IP 20
Product tested in accordance with	Door closer tested in accordance with EN 1154 Hold-open mechanism tested in accordance with EN 1155 Door closing sequence selector tested in accordance with EN 1158 Official building approval of a general nature from the DIBt (German Centre of Competence for Construction) for use as a hold-open system	Door closer tested in accordance with EN 1154 Hold-open mechanism tested in accordance with EN 1155
Suitable for fire protection doors	●	●
Mounting plate with hole pattern acc. to EN 1154 Supplement 1	●	●
Length		547 mm
Installation depth		65 mm
Height		65 mm
Functions		
Adjustable closing force		with variable adjustment
Adjustable closing speed	●	●
Adjustable latching action		via link arm
Integrated back check		○
Closing force adjustment position		Front
Visual closing force display	●	●
Safety valve as protection against vandalism	●	●
Thermo-constant valves	●	●
Integrated closing sequence control	●	
Integrated hold-open device		Electric
Hold-open angle		80°-175°
Hold-open device can be overridden	●	●
Integrated smoke switch	●	
With visual status display	●	
With clogging indicator	●	
With adaption of the alarm threshold	●	
Integrated power supply	●	

● = yes

○ = no

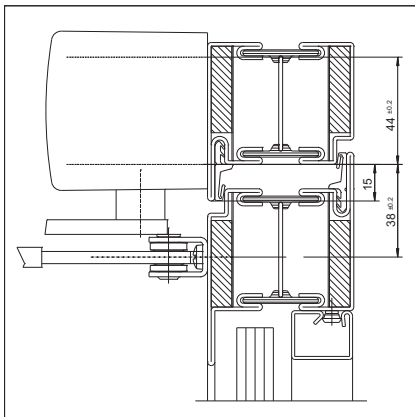
Transom installation/opposite hinge side TS 4000 R-IS

View

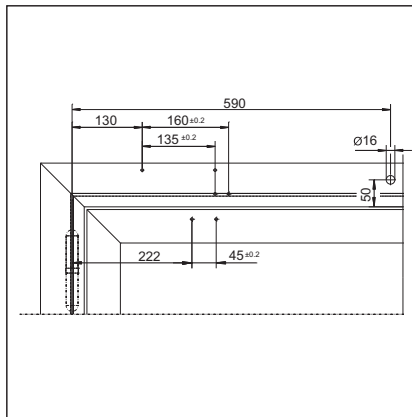


Installation example for GEZE TS 4000 R-IS

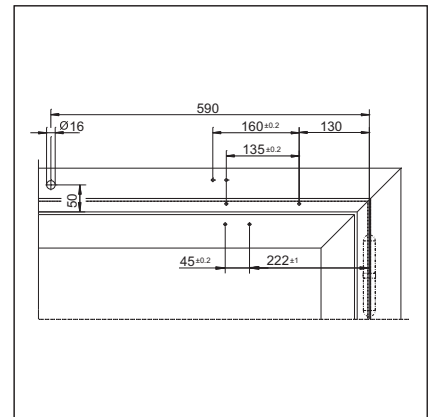
Direct installation



Cross section = direct installation

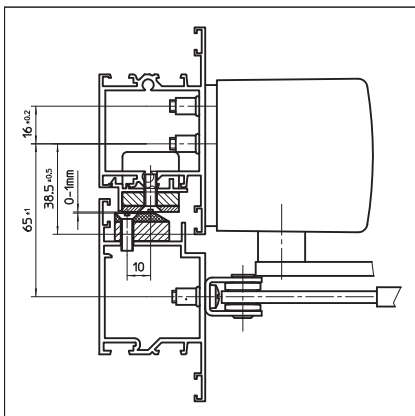


Fitting dimensions for right-hand door

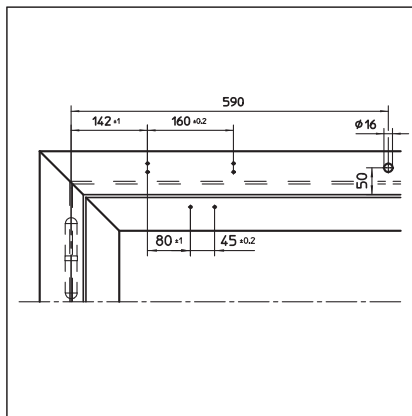


Fitting dimensions for left-hand door

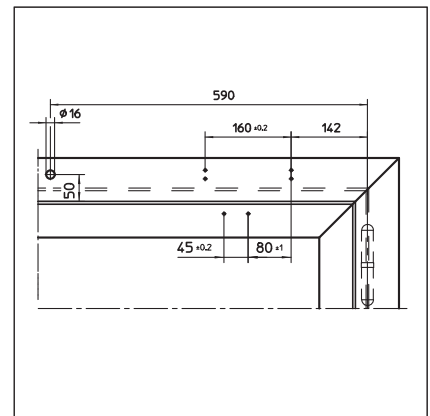
Installation with mounting plate



Cross section = installation with mounting plate

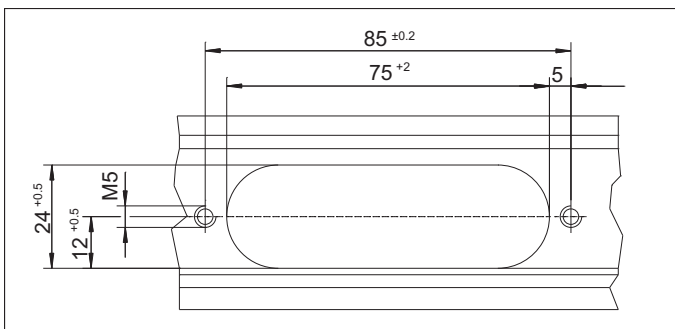


Fitting dimensions for right-hand door



Fitting dimensions for left-hand door

Recess for release mechanism



GEZE TS 4000 R-IS - Order information

Designation	Version	ID.No.
GEZE TS 4000 R-IS KM BG closer	silver-coloured	105244
Size EN 1-6, transom installation opposite hinge side, with integrated closing sequence control, electric hold-open device and smoke switch control unit (without link arm and release mechanism)	acc. to RAL ²⁾	105245
GEZE TS 4000 R-IS KM BG closer second unit	silver-coloured	105246
Size EN 1-6, transom installation opposite hinge side, with electric hold-open device (without smoke switch control unit and link arm)	acc. to RAL ²⁾	105247
Link arm TS 4000/2000 Extended, for transom installation with a reveal depth of 70-170 mm	silver-coloured	102431
	white RAL 9016	102433
	acc. to RAL ²⁾	102434
Link arm TS 4000/2000 Standard	silver-coloured	102421
	white RAL 9016	102423
	simulated stainless steel ¹⁾	102426
	acc. to RAL ²⁾	102425
Installation material		
Door closer mounting plate For TS 5000 RFS KM/4000 R & R-IS with hole pattern acc. to DIN EN 1154 Supplement 1	black	058808
Accessories		
Closing sequence control release mechanism For TS 5000 IS/E-IS/R-IS	Nr.1 hinge clearance 1200-1500 mm	058306
	Nr.2 hinge clearance 1500-1800 mm	058307
	Nr.3 hinge clearance 1800-2100 mm	058308
	Nr.4 hinge clearance 2100-2400 mm	058309
	Nr.5 hinge clearance 2400-2700 mm	058310
	Nr.6 hinge clearance of more than 2700 mm	058311
GEZE smoke detector GC 152 Complete with base, 24 V DC, 20 mA, tested in accordance with EN54-7, with general approval for use with all GEZE hold-open systems, integrated line monitoring, conform with DIN EN 14637	white	139850
GEZE thermal detector GC 153 Complete with base, 24 V DC, 20 mA, tested in accordance with EN54-5, with general approval for use with all GEZE hold-open systems, integrated line monitoring, conform with DIN EN 14637	white	139881
GEZE manual trigger switch Flush-mounted version, for manual release of electrically controllable hold-open devices including terminating resistance for line monitoring	alpine white / red	116266
GEZE manual trigger switch with glass cover and 5 interchangeable letterings Flush-mounted version, for manual release of electrically controllable hold-open devices including terminating resistance for line monitoring	alpine white	120880
Replacement glass cover for GEZE manual trigger switch 120880 and 120881		010994
GEZE carry bar CB flex for use on all 2-leaf rebated doors. Stepless, concealed length adjustment up to 210 mm leaf projection, hinged mechanism not visible, profile can be shortened if required, with attachment material	acc. to RAL ²⁾	153728
	silver-coloured	153602

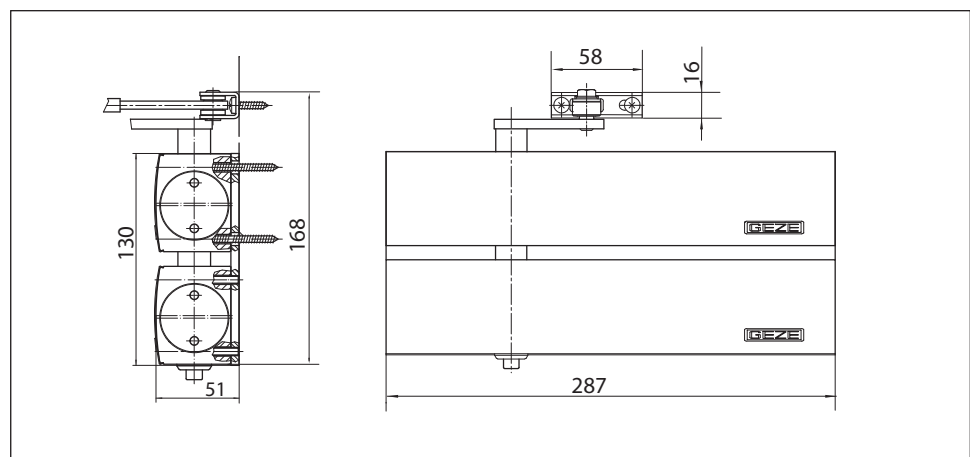
1) Only suitable for dry rooms

2) Surcharge for special RAL colours, see General Information

GEZE TS 4000 Tandem

Link arm door closer for single-leaf doors/gates with leaf widths greater than 1600 mm or extremely heavy

Combination of a TS 4000 EN 5-7 and a TS 4000 EN 1-6 on an adapter plate with a shared spindle. Closing force > EN 7, for use with extremely large and heavy doors or gates. The individual products have been tested in accordance with the EN 1154 standard.



Area of application

- For single-action doors, leaf width > 1600 mm
- Compatible with left-hand and right-hand doors (conversion required)
- For fire protection doors (door closers with mounting plate)
- Standard installation on door leaf hinge side; transom installation on opposite hinge side also possible
- Can be installed on door leaf on opposite hinge side with parallel arm mounting

Closer technical data

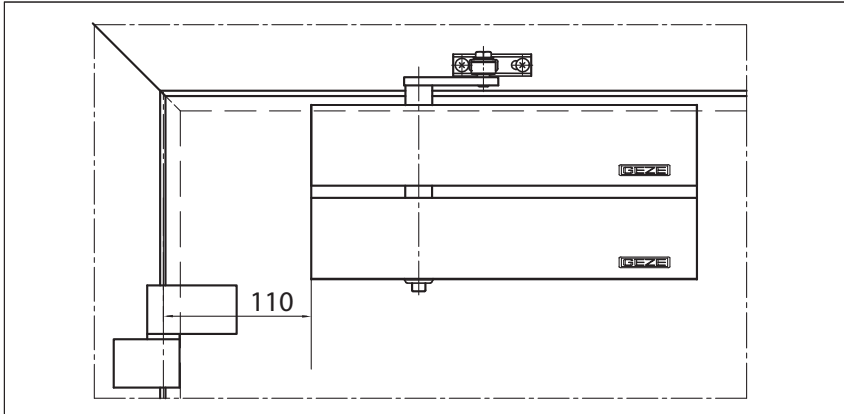
Product features	GEZE TS 4000 tandem complete package
Same version for DIN left and DIN right	●
Product tested in accordance with	Door closer tested in accordance with EN 1154
Suitable for fire protection doors	●
Mounting plate with hole pattern acc. to EN 1154 Supplement 1	●
Length	287 mm
Installation depth	51 mm
Height	130 mm
Functions	
Adjustable closing force	with variable adjustment
Adjustable closing speed	●
Adjustable latching action	via link arm
Integrated back check	hydraulically adjustable
Closing force adjustment position	Front
Visual closing force display	●
Safety valve as protection against vandalism	●
Thermo-constant valves	●

● = yes

○ = no

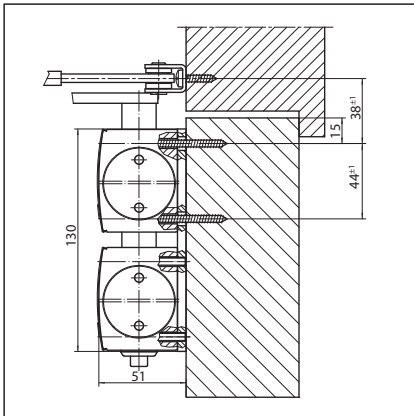
Door leaf installation/hinge side TS 4000 tandem

View

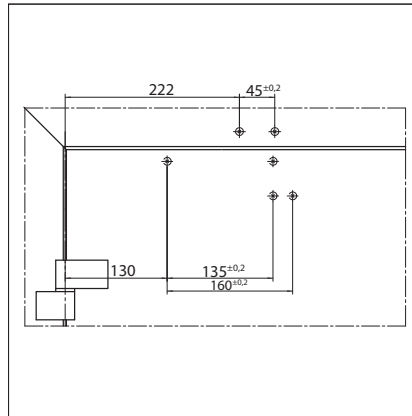


Installation example for GEZE TS 4000 tandem

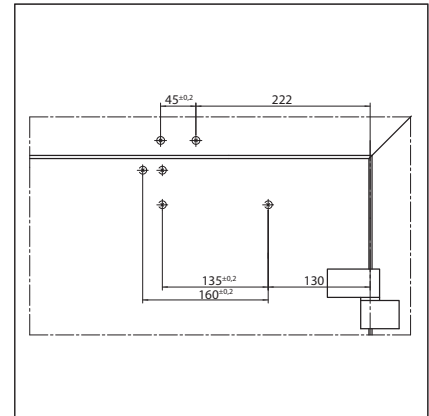
Direct installation



Cross section = direct installation

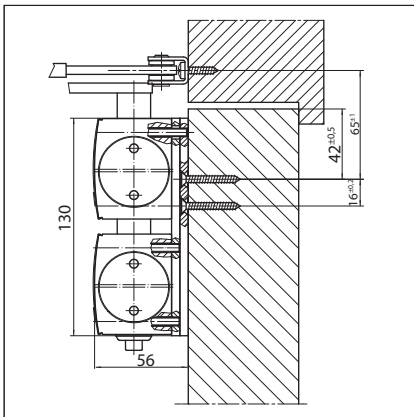


Fitting dimensions for left-hand door

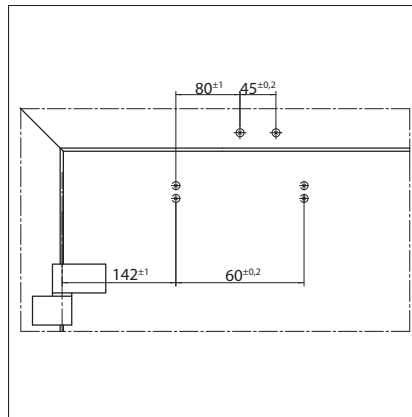


Fitting dimensions for right-hand door

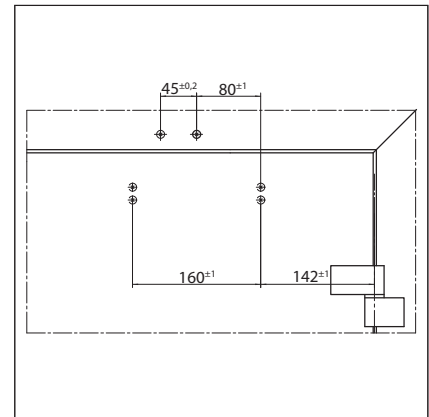
Installation with mounting plate



Cross section = installation with mounting plate



Fitting dimensions for left-hand door



Fitting dimensions for right-hand door

GEZE TS 4000 Tandem - Order information

Designation	Version	ID.No.
GEZE TS 4000 Tandem complete package	silver-coloured	102841
With back check, with standard link arm	acc. to RAL ¹⁾	116186
Link arm TS 4000/2000	silver-coloured	102431
Extended, for transom installation with a reveal depth of 70-170 mm	white RAL 9016	102433
	acc. to RAL ¹⁾	102434
Installation material		
	10 mm galvanised	103548
	10 mm black	103677
Spindle extension for TS 4000/TS 2000	15 mm galvanised	103549
Crown type connection	15 mm black	103678
	20 mm galvanised	103550
	20 mm black	103679
Door closer drilling template For TS 5000/4000/3000/2000		053134
Link arm mounting plate For TS 4000/2000, with narrow rebates	silver-coloured	057109
	acc. to RAL ¹⁾	082506
Link arm mounting plate For TS 4000/2000, with parallel arm mounting	silver-coloured	053318
	acc. to RAL ¹⁾	027460
Door closer mounting plate For TS 4000 tandem with hole pattern acc. to DIN EN 1154 Supplement 1	silver-coloured	105119
	acc. to RAL ¹⁾	116189

¹⁾ Surcharge for special RAL colours, see General Information

GEZE smoke switch control unit RSZ 6

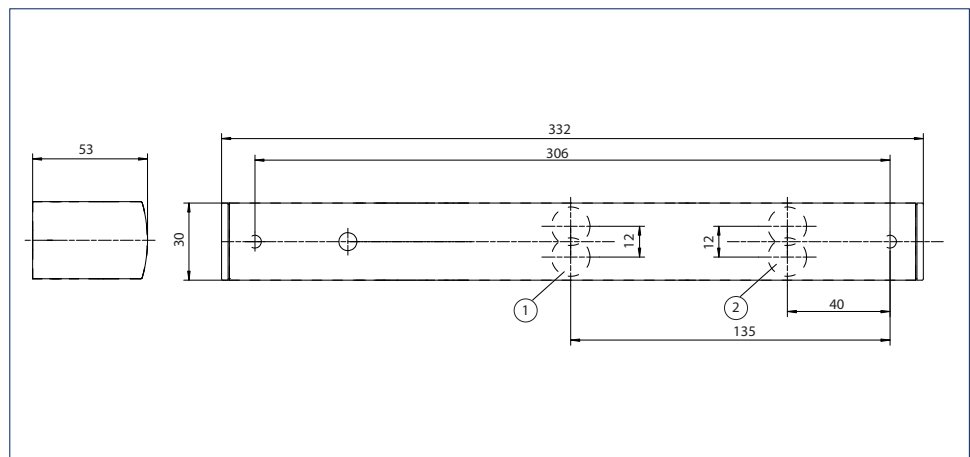
Smoke switch and power supply for all GEZE hold-open devices

The GEZE smoke switch control unit RSZ 6 in the typical GEZE design has an overall height of 30 mm. It is connected to the 230 V power supply system and supplies the connected hold-open devices reliably with 24 V DC voltage (max. 200 mA).

The smoke switch control unit is mounted on the vertical wall above the door opening, thus making the early detection of fire and smoke possible (please keep at least 10 mm clear of the ceiling). If an alarm is triggered, the voltage supply to the hold-open devices (e.g. electrical hold-open device in the guide rail or hold-open magnet) is interrupted and the doors close immediately. The connection of two additional ceiling-mounted detectors may be necessary depending on the requirements. The integrated smoke switch has an automatic adaptation of the alarm threshold. This compensates light soiling of the smoke chamber and increases service life. The current state of the smoke switch is shown by a visual signal.



GEZE smoke switch control unit RSZ 6



- 1 = Additional connections
- 2 = Power supply UP 230 V AC

Area of application

- Approved for use with all GEZE hold-open mechanisms

GEZE smoke switch control unit RSZ 6 - Order information

Description	Version	ID.No.
GEZE smoke switch control unit RSZ 6 Smoke switch and power supply for all GEZE hold-open devices	silver-coloured	099851
	white RAL 9016	099858
	simulated stainless steel ¹⁾	099856
	acc. to RAL ²⁾	099859
Set smoke switch control unit RSZ 6 ECwire Smoke switch control unit ECwire for simple wiring using 2-wire technology incl. 2 ceiling-mounted smoke detectors type GC 162 (white)	silver-coloured	154976
	white RAL 9016	154979
	simulated stainless steel ¹⁾	154991
	acc. to RAL ²⁾	154980
Accessories		
GEZE smoke detector GC 152 Complete with base, 24 V DC, 20 mA, tested in accordance with EN54-7, with general approval for use with all GEZE hold-open systems, integrated line monitoring, conform with DIN EN 14637	white	139850
GEZE thermal detector GC 153 Complete with base, 24 V DC, 20 mA, tested in accordance with EN54-5, with general approval for use with all GEZE hold-open systems, integrated line monitoring, conform with DIN EN 14637	white	139881
GEZE manual trigger switch Flush-mounted version, for manual release of electrically controllable door hold-open mechanisms including terminating resistance for line monitoring	alpine white / red	116266
Surface-mounted box, single suitable for the AS 500 switch range		120503
GEZE manual trigger switch with glass cover and 5 interchangeable letterings Flush-mounted version, for manual release of electrically controllable door hold-open mechanisms including terminating resistance for line monitoring	alpine white	120880
Replacement glass cover for GEZE manual trigger switch 120880 and 120881		010994

1) Only for dry rooms

2) Surcharge for RAL special colours, see General Information in the Price List.



HafenCity University Hamburg, Germany (Photo: S. Dauth)

References



Mövenpick Hotel, Stuttgart Airport, Germany (Photo: Nikolas Grünwald)



Sports hall, Zadar, Croatia (Photo: Robert Les)



Sports Hall, Zadar, Croatia (Photo: Robert Les)

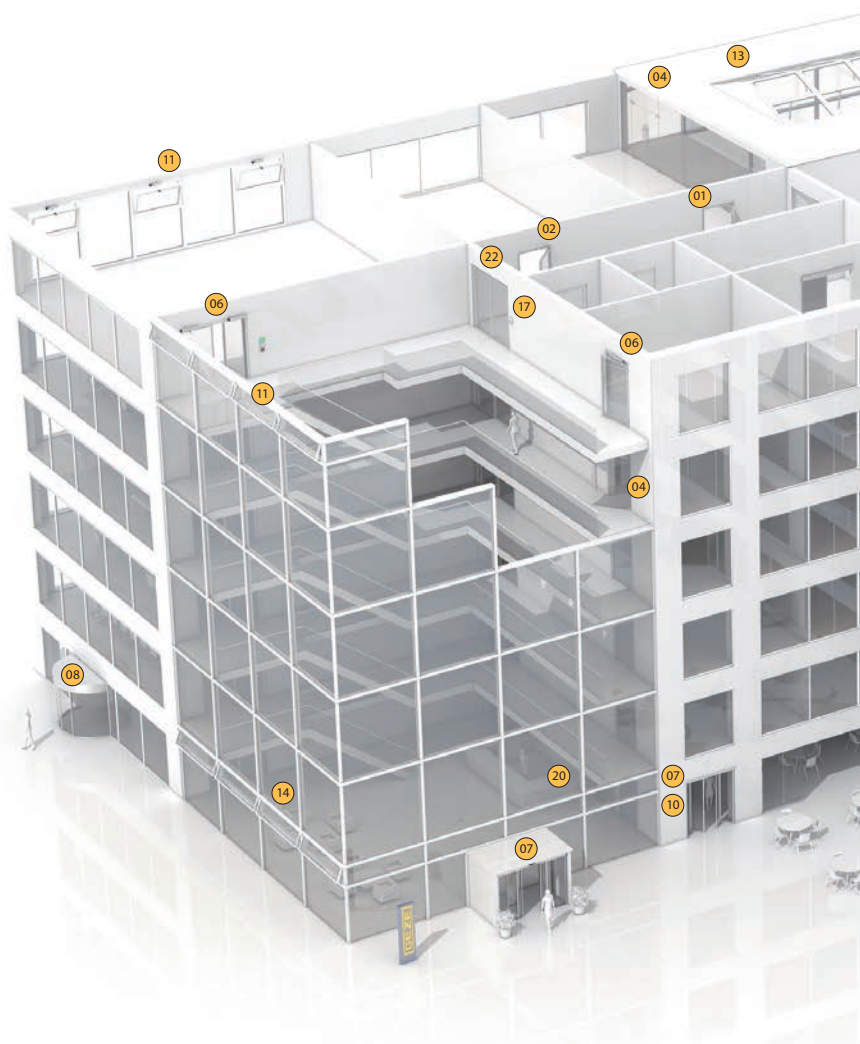


Sparkasse, Ulm, Germany (Photo: Nikolas Grünwald)

POTENTIAL APPLICATIONS OF GEZE PRODUCTS

You will find more product information in the relevant brochures, see ID numbers.

Door technology	
01	Overhead door closers ID 091593, ID 091594
02	Hold-open systems ID 091593, ID 091594
03	Integrated door closers ID 091609
04	Floor springs and all-glass fittings ID 091607
05	Sliding fitting systems and linear guides ID 123605, ID 000586
Automatic door systems	
06	Swing doors ID 144785
07	Sliding, telescopic and folding doors ID 143639
08	Curved sliding doors ID 135772
09	Revolving doors ID 132050
10	Actuation devices and sensors ID 142655
Smoke and heat extraction and window technology	
11	Fanlight opening systems ID 127787
12	Electric opening and locking systems ID 127785, ID 127789
13	Electrical spindle and linear drives ID 127785, ID 127789
14	Electric chain drives ID 127785, ID 127789
15	Smoke and heat extraction systems ID 127785, ID 139075
Safety technology	
16	Emergency exit systems ID 132408
17	Access control systems ID 132158
18	Panic locks ID 132848
19	Electric strikes ID 148666
20	Building management system ID 132408
Glass systems	
21	Manual sliding wall systems (MSW) ID 104377
22	Integrated all-glass systems (IGG) ID 104366



POTENTIAL APPLICATIONS OF GEZE PRODUCTS



Door technology

The functionality, superior performance and reliability of GEZE door closers are impressive. A common design across the range, the ability to use them on all common door leaf widths and weights, and the fact that they can be individually adjusted makes their selection simple. They are continually being improved and enhanced with up-to-date features. For example, the requirements of fire protection and accessibility are fulfilled with a door closer system.

Automatic door systems

GEZE automatic door systems open up a huge variety of options in door design. The latest, innovative high-performance drive technology, safety, ease of accessibility and first class universal drive design set them apart. GEZE offers complete solutions for individual requirements. A dedicated division is responsible for the development and construction of individual special designs.

Smoke and heat extraction and window technology

GEZE smoke and heat extraction systems and ventilation technology provide complete systems solutions combining the many requirements of different types of windows. We supply a full range from energy efficient drive systems to natural ventilation and complete solutions for supplying and extracting air, also as certified SHEVs.

Safety technology

GEZE safety technology sets the standards where preventative fire protection, access control and anti-theft security in emergency exits are concerned. For each of these objectives GEZE offers tailored solutions, which combine the individual safety requirements in one intelligent system and close doors and windows in case of danger in a coordinated manner.

Building systems

In GEZE's Building Management System GEZE door, window and safety products can be integrated in to the security and control systems of the building. A central control and visualisation system monitors various automation components in the building and offers security through many different networking capabilities.

Glass systems

GEZE glass systems stand for open and transparent interior design. They can either blend discreetly into the architecture of the building or stand out as an accentuated feature. GEZE offers a wide variety of technologies for functional, reliable and aesthetic sliding wall or sliding door systems providing security with lots of design scope.

GEZE GmbH
P.O. Box 1363
71226 Leonberg
Germany

GEZE GmbH
Reinhold-Vöster-Straße 21-29
71229 Leonberg
Germany
Telefon +49 7152 203 0
Telefax +49 7152 203 310
www.geze.com

Germany
 GEZE GmbH
 Niederlassung Süd-West
 Breitwiesenstraße 8
 71229 Leonberg
 Tel. +49 7152 203 594
 Fax +49 7152 203 438
 leonberg.de@geze.com

GEZE GmbH
 Niederlassung Süd-Ost
 Parkring 17
 85748 Garching bei München
 Tel. +49 7152 203 6440
 Fax +49 7152 203 77050
 muenchen.de@geze.com

GEZE GmbH
 Niederlassung Ost
 Albert-Einstein-Ring 5
 14532 Kleinmachnow bei Berlin
 Tel. +49 7152 203 6840
 Fax +49 7152 203 76849
 berlin.de@geze.com

GEZE GmbH
 Niederlassung Mitte/Luxemburg
 Adenauerallee 2
 61440 Oberursel (b. Frankfurt)
 Tel. +49 7152 203 6888
 Fax +49 7152 203 6891
 frankfurt.de@geze.com

GEZE GmbH
 Niederlassung West
 Heltorfer Straße 12
 40472 Düsseldorf
 Tel. +49 7152 203 6770
 Fax +49 7152 203 76770
 duesseldorf.de@geze.com

GEZE GmbH
 Niederlassung Nord
 Haus 11, 1. OG - Theodorstr. 42-90
 22761 Hamburg-Bahrenfeld
 Tel. +49 7152 203 6600
 Fax +49 7152 203 76608
 hamburg.de@geze.com

GEZE Service GmbH
 Niederlassung Süd-West
 Reinhold-Vöster-Straße 25
 71229 Leonberg
 Tel. +49 1802 923392
 Fax +49 7152 9233 359
 service-leonberg.de@geze.com

GEZE Service GmbH
 Niederlassung Süd
 Parkring 17
 85748 Garching bei München
 Tel. +49 1802 923392
 Fax +49 7152 9233 859
 service-muenchen.de@geze.com

GEZE Service GmbH
 Niederlassung Mitte
 Oberurseler Str. 69
 61440 Oberursel
 Tel. +49 1802 923392
 Fax +49 7152 9233 659
 service-oberursel.de@geze.com

GEZE Service GmbH
 Niederlassung West
 Heltorfer Straße 12
 40472 Düsseldorf
 Tel. +49 1802 923392
 Fax +49 7152 9233 559
 service-duesseldorf.de@geze.com

GEZE Service GmbH
 Niederlassung Ost
 Albert-Einstein-Ring 5
 14532 Kleinmachnow bei Berlin
 Tel. +49 1802 923392
 Fax +49 7152 9233 759
 service-berlin.de@geze.com

GEZE Service GmbH
 Niederlassung Nord
 Theodorstr. 42-90, Haus 11
 22761 Hamburg
 Tel. +49 1802 923392
 Fax +49 7152 9233 459
 service-hamburg.de@geze.com

Austria
 GEZE Austria
 Wiener Bundesstrasse 85
 A-5300 Hallwang
 Tel: +43 6225 87180
 Fax: +43 6225 87180 299
 austria.at@geze.com

**Baltic States –
 Lithuania / Latvia / Estonia**
 Tel. +371 678960 35
 baltic-states@geze.com

Benelux
 GEZE Benelux B.V.
 Industrieterrein Kapelbeemd
 Steenoven 36
 5626 DK Eindhoven
 Tel. +31 4026290 80
 Fax +31 4026290 85
 benelux.nl@geze.com

Bulgaria
 GEZE Bulgaria - Trade
 Representative Office
 Nickolay Haitov 34 str., fl. 1
 1172 Sofia
 Tel. +359 247043 73
 Fax +359 247062 62
 office-bulgaria@geze.com

China
 GEZE Industries (Tianjin) Co., Ltd.
 Shuangchenzhong Road
 Beichen Economic Development
 Area (BEDA)
 Tianjin 300400, P.R. China
 Tel. +86 22 26973995
 Fax +86 22 26972702
 chinasales@geze.com.cn

GEZE Industries (Tianjin) Co., Ltd.
 Branch Office Shanghai
 Jia Little Exhibition Center
 Room C 2-102
 Shenzhuan Rd. 6000
 201619 Shanghai, P.R. China
 Tel. +86 21 52340960
 Fax +86 21 64472007
 chinasales@geze.com.cn

GEZE Industries (Tianjin) Co., Ltd.
 Branch Office Guangzhou
 Room 17 C 3
 Everbright Bank Building, No.689
 Tian He Bei Road
 510630 Guangzhou, P.R. China
 Tel. +86 20 38731842
 Fax +86 20 38731834
 chinasales@geze.com.cn

GEZE Industries (Tianjin) Co., Ltd
 Branch Office Beijing
 Room 04-05, 7th Floor
 Red Sandalwood Plaza
 No. 27 Jianguo Road
 Chaoyang District
 100024 Beijing, P.R.China
 Tel. +86 10 85756009
 Fax +86 10 85758079
 chinasales@geze.com.cn

France
 GEZE France S.A.R.L.
 ZAC de l'Orme Rond
 RN 19
 77170 Servon
 Tel. +33 1 606260 70
 Fax +33 1 606260 71
 france.fr@geze.com

Hungary
 GEZE Hungary Kft.
 Hungary-2051 Biatorbágy
 Vendel Park
 Huber u. 1.
 Tel. +36 23532 735
 Fax +36 23532 738
 office-hungary@geze.com

Iberia
 GEZE Iberia S.R.L.
 C/ Andorra 24
 08830 Sant Boi de Llobregat
 (Barcelona)
 Tel. +34 902194 036
 Fax +34 902194 035
 info@geze.es

India
 GEZE India Private Ltd.
 MF 2 & 3, Guindy Industrial Estate
 Ekkattuthangal
 Chennai 600 097
 Tamilnadu
 Tel. +91 44 406169 00
 Fax +91 44 406169 01
 office-india@geze.com

Italy
 GEZE Italia S.r.l
 Sede di Vimercate
 Via Fiorbellina 20
 20871 Vimercate (MB)
 Tel. +39 0399530401
 Fax+39 039 9530459/419
 italia.it@geze.com

Sede di Roma
 Via Lucrezia Romana, 91
 00178 Roma
 Tel. +39 06 726531 1
 Fax +39 06 726531 36
 roma@geze.biz

Poland
 GEZE Polska Sp.z o.o.
 ul. Marywilska 24
 03-228 Warszawa
 Tel. +48 224 404 440
 Fax +48 224 404 400
 geze.pl@geze.com

Romania
 GEZE Romania S.R.L.
 IRIDE Business Park,
 Str. Dimitrie Pompeiu nr. 9-9a,
 Building 10, Level 2, Sector 2,
 020335 Bucharest
 Tel.: +40 212507 750
 Fax: +40 316201 258
 office-romania@geze.com

Russia
 OOO GEZE RUS
 Gamsonovskiy Per. 2
 115191 Moscow
 Tel. +7 495 93306 59
 Fax +7 495 93306 74
 office-russia@geze.com

Scandinavia – Sweden
 GEZE Scandinavia AB
 Mallslingan 10
 Box 7060
 18711 Täby, Sweden
 Tel. +46 87323 400
 Fax +46 87323 499
 sverige.se@geze.com

Scandinavia – Norway
 GEZE Scandinavia AB avd. Norge
 Industriveien 34 B
 2073 Dal
 Tel. +47 63957 200
 Fax +47 63957 173
 norge.se@geze.com

Scandinavia – Denmark
 GEZE Danmark
 Branch office of GEZE Scandinavia AB
 Mårkærvej 13 J-K
 2630 Taastrup
 Tel. +45 463233 24
 Fax +45 463233 26
 danmark.se@geze.com

Singapore
 GEZE (Asia Pacific) Pte. Ltd.
 21 Bukit Batok Crescent
 #23-75 Wcega Tower
 Singapore 658065
 Tel: +65 6846 1338
 Fax: +65 6846 9353
 gezesea@geze.com.sg

South Africa
 Geze South Africa (Pty) Ltd.
 GEZE, Building 3, 1019 Morkels Close
 Midrand 1685
 Tel: +87 94337 88
 Fax: +86 66137 52
 info@gezesa.co.za

Switzerland
 GEZE Schweiz AG
 Zeliglimatte 1A
 6260 Reiden
 Tel. +41 62 28554 00
 Fax +41 62 28554 01
 schweiz.ch@geze.com

Turkey
 GEZE Kapı ve Pencere Sistemleri
 San. ve Tic. Ltd. Sti.
 İstanbul Anadolu Yakası Organize
 Sanayi Bölgesi
 Gazi Bulvarı Caddesi 8.Sokak No:8
 Tuzla-İstanbul
 Tel. +90 216 45543 15
 Fax +90 216 45582 15
 office-turkey@geze.com

Ukraine
 LLC GEZE Ukraine
 ul. Viskoznaya, 17,
 Building 93-B, Office 12
 02660 Kiev
 Tel./Fax +38 445012225
 office-ukraine@geze.com

United Arab Emirates/GCC
 GEZE Middle East
 P.O. Box 17903
 Jebel Ali Free Zone
 Dubai
 Tel. +971 48833 112
 Fax +971 48833 240
 gezeme@geze.com

United Kingdom
 GEZE UK Ltd.
 Blenheim Way
 Fradley Park
 Lichfield
 Staffordshire WS13 8SY
 Tel. +44 15434430 00
 Fax +44 15434430 01
 info.uk@geze.com

GEZE REPRESENTATIVE