



INSTALLATION OPTIONS FOR OVERHEAD DOOR CLOSERS SUMMARY OF APPLICATION POSSIBILITIES

GEZE INSTALLATION OPTIONS

TABLE OF CONTENTS

Recommended settings for GEZE door closers	4
Installation on opposite hinge side	6
GEZE TS 1500	
Door leaf installation hinge side	7
Transom installation opposite hinge side	8
GEZE TS 1500 G	
Door leaf installation hinge side	9
Transom installation hinge side	10
GEZE TS 2000 V / V BC	
Door leaf installation hinge side	11
Door leaf installation opposite hinge side with PA bracket for parallel arm installation	12
Door leaf installation hinge side with mounting plate for segmental arch door	13
Door leaf installation hinge side with clamping shoe for all-glass door	14
Door leaf installation hinge side with mounting plate for link arms on slim frames	15
Transom installation opposite hinge side	16
Transom installation opposite hinge side with lintel casing bracket	17
GEZE TS 2000 NV / NV BC	
Door leaf installation hinge side	18
Door leaf installation opposite hinge side with PA bracket for parallel arm installation	19
Door leaf installation hinge side with mounting plate for segmental arch door	20
Door leaf installation hinge side with clamping shoe for all-glass door	21
Door leaf installation hinge side with mounting plate for link arms on slim frames	22
Transom installation opposite hinge side	23
Transom installation opposite hinge side with lintel casing bracket	24
GEZE TS 3000 V / V BC / EN3	
Door leaf installation hinge side	25
Door leaf installation opposite hinge side	26
Door leaf installation hinge side with mounting and counterplate for all-glass door	27
Door leaf installation hinge side with clamping shoe for all-glass door	28
Transom installation hinge side	29
Transom installation opposite hinge side	30
Transom installation opposite hinge side with lintel casing bracket	31
GEZE TS 4000 / S / E / EFS	
Door leaf installation hinge side	32
Door leaf installation hinge side with mounting plate for link arms on slim frames	33
GEZE TS 4000 / S / E / EFS / R / RFS	
Transom installation opposite hinge side	34
GEZE TS 4000 / S	
Door leaf installation opposite hinge side with PA bracket for parallel arm installation	35

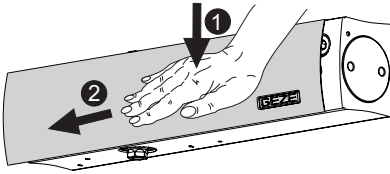
TABLE OF CONTENTS

GEZE TS 4000 / S	
Door leaf installation hinge side with mounting plate for segmental arch door	36
Door leaf installation hinge side with mounting and counterplate for all-glass door	37
Door leaf installation hinge side with clamping shoe for all-glass door	38
Transom installation opposite hinge side with lintel casing bracket	39
GEZE TS 4000 IS / E-IS	
Door leaf installation hinge side, double-leaf	40
GEZE TS 4000 IS / E-IS / R-IS	
Transom installation opposite hinge side, double-leaf	41
GEZE TS 5000 / ECline / S / E / R / EFS / RFS	
Door leaf installation hinge side	42
GEZE TS 5000 EFS / RFS	
Transom installation hinge side	43
GEZE TS 5000 / ECline / S	
Transom installation opposite hinge side	44
Transom installation opposite hinge side with lintel casing bracket	45
GEZE TS 5000 / ECline / S / E	
Door leaf installation hinge side with mounting and counterplate for all-glass door	46
Door leaf installation hinge side with clamping shoe for all-glass door	47
GEZE TS 5000 ISM / E-ISM / R-ISM / Free swing optional	
Door leaf installation hinge side, double-leaf	48
GEZE TS 5000 L / ECline L	
Transom installation hinge side	49
GEZE TS 5000 L / ECline / L-E / L-R	
Door leaf installation opposite hinge side	50
Door leaf installation opposite hinge side with lintel casing bracket	51
GEZE TS 5000 L-ISM / L-E-ISM / L-R-ISM / L-ISM-VPK / L-E-ISM-VPK / L-R-ISM-VP	
Door leaf installation opposite hinge side, double-leaf	52
GEZE T-Stop guide rail with pivot bearing	
Door leaf installation hinge side	53
Door leaf installation opposite hinge side	54
Transom installation hinge side	55
Transom installation opposite hinge side	56

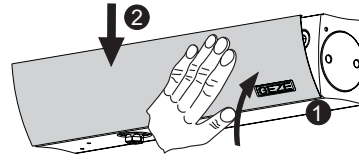
GEZE INSTALLATION OPTIONS

RECOMMENDED SETTINGS FOR GEZE DOOR CLOSERS

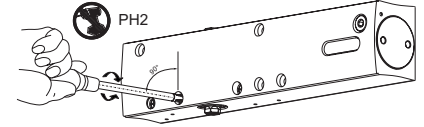
► Remove slide plate



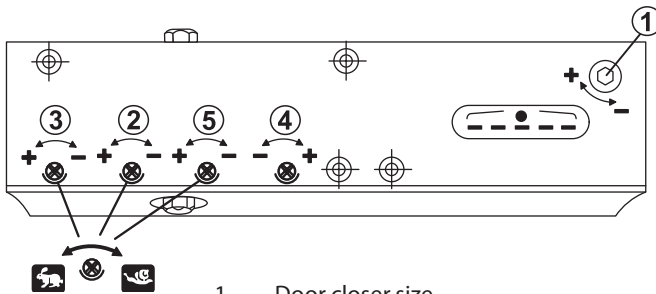
► Clip slide plate open



► Set

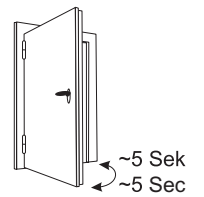


GEZE TS 5000



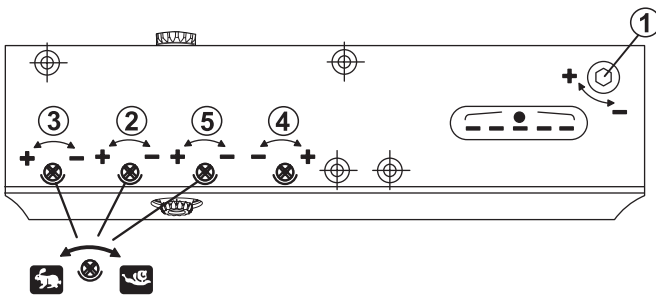
- 1 Door closer size
- 2 Closing speed
- 3 Latching action
- 4 Back check
- 5 Delayed closing action (only with TS 5000 S)

Display door closer size	Leaf width [mm]
2	up to 850
3	850 - 950
4	950 - 1100
5	1100 - 1250
6	1250 - 1400



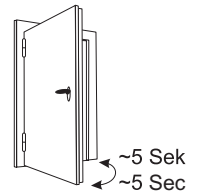
Light-running door must be closed completely by the closer!

GEZE TS 4000



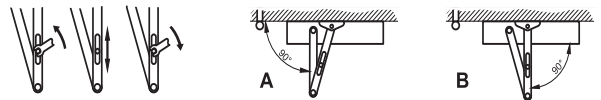
- 1 Door closer size
- 2 Closing speed
- 3 Latching action (only with TS 4000 S)
- 4 Back check
- 5 Delayed closing action (only with TS 4000 S)

Display door closer size	Leaf width [mm]
1	up to 750
2	750 - 850
3	850 - 950
4	950 - 1100
5	1100 - 1250
6	1250 - 1400



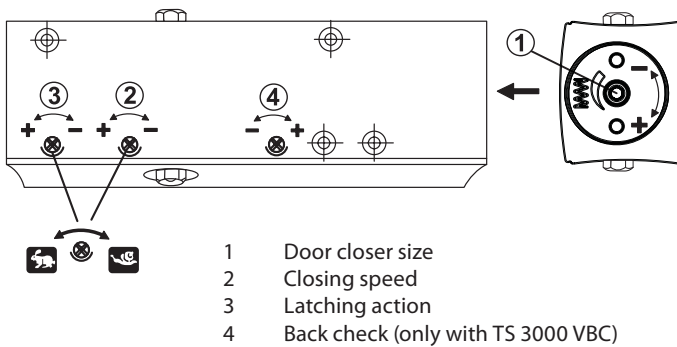
Light-running door must be closed completely by the closer!

Setting latching action	with latching action	without latching action
-------------------------	----------------------	-------------------------

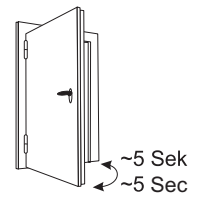


GEZE INSTALLATION OPTIONS

GEZE TS 3000 V

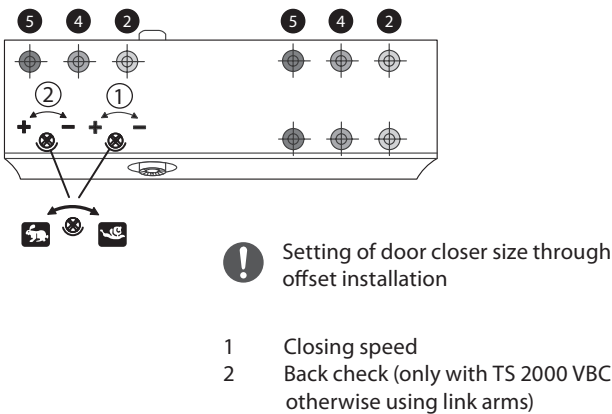


Setting door closer size	Leaf width [mm]
Buffer -	up to 750
2.5 revolutions	750 - 850
5 revolutions	850 - 950
Buffer +	950 - 1100

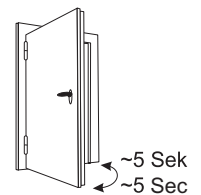


Light-running door must be closed completely by the closer!

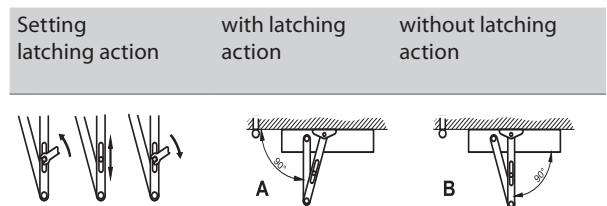
GEZE TS 2000 V



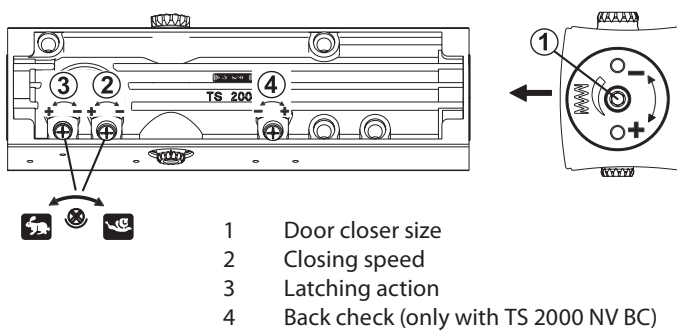
Setting door closer size	Leaf width [mm]
2 Size 2	750 - 850
4 Size 4	850 - 1100
5 Size 5	1100 - 1250



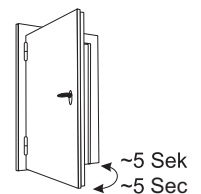
Light-running door must be closed completely by the closer!



GEZE TS 2000 NV

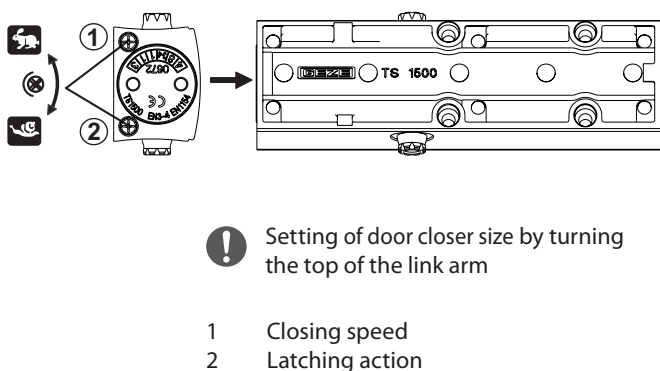


Setting door closer size	Leaf width [mm]
Buffer -	up to 850
4 revolutions	850 - 950
Buffer +	up to 1100

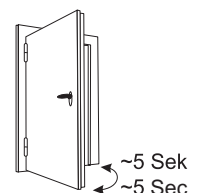


Light-running door must be closed completely by the closer!

GEZE TS 1500



Setting door closer size	Leaf width [mm]
A	850 - 950
B	950 - 1100



Light-running door must be closed completely by the closer!

GEZE INSTALLATION OPTIONS

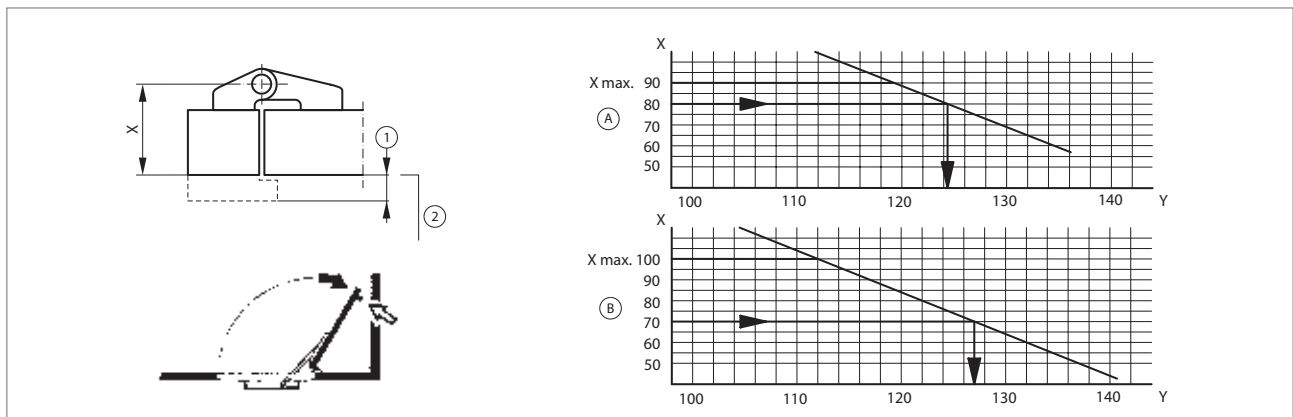
General product information about GEZE overhead door closers

Door closer sizes

acc. to EN 1154	Door leaf width in mm
Size 1	up to 750
Size 2	from 750 to 850
Size 3	from 850 to 950
Size 4	from 950 to 1100
Size 5	from 1100 to 1250
Size 6	from 1250 to 1400
Size 7	from 1400 to 1600

Notes for door closers with guide rail for installation on the opposite hinge side

Note: The max. door opening angle must be limited by a door stopper or by use of the GEZE T-Stop guide rail!



1 = Overlap max. 15 mm

2 = Flush-mounted door

X = Distance pivot point to contact area of guide rail

X dimension max. = 100 mm (double-leaf) / 90 mm (single-leaf)

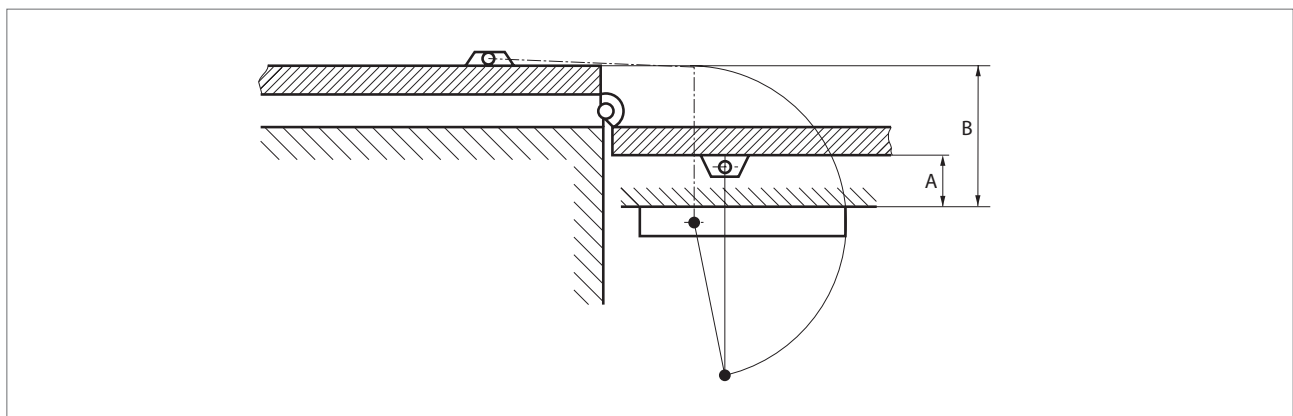
A = Single-leaf systems

B = Double-leaf systems

Y = Door opening angle

Special mounting dimensions are used when the X dimension is wider – on request.

Notes for door closers with link arm for installation on the opposite hinge side



A = Reveal depth

B = Reveal depth + 2 door size + 2 pivot point distance

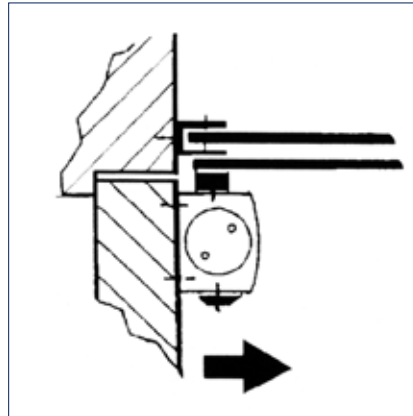
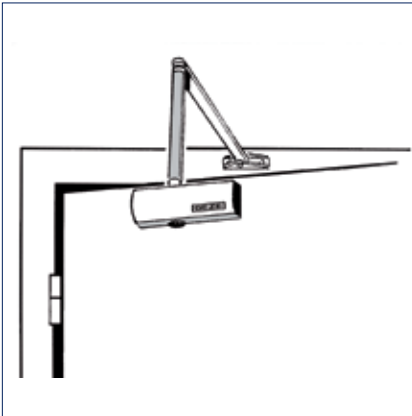
Door opening up to 180° is only possible if the following dimensions are not exceeded:

A = 70 mm and B = 200 mm

GEZE TS 1500

Door leaf installation hinge side

TS 1500 Door leaf installation/hinge side



Area of application

- Closing force 3/4 according to EN 1154, leaf width up to 1100 mm
- Can be used for right and left hung doors without conversion

Order information

Description	Version	ID.No.
GEZE TS 1500 Closer Size EN 3/4 (without link arms)	silver	101792
Link arms TS 1500/1000C Standard	silver	101878
Link arms TS 1500/1000C with mechanical hold-open device	silver	101815
Accessories		
Mounting plate door closer for TS 1500	silver	029682

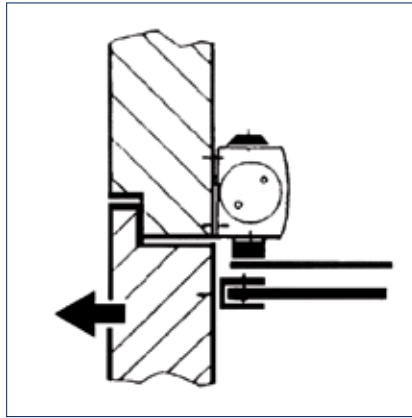
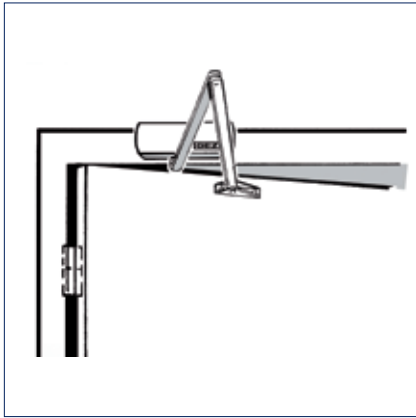
Note: See our system catalogues for further accessories and colour variants.

GEZE INSTALLATION OPTIONS

GEZE TS 1500

Transom installation opposite hinge side

TS 1500 Transom installation/opposite hinge side



Area of application

- Closing force 3/4 according to EN 1154, leaf width up to 1100 mm
- Can be used for right and left hung doors without conversion

Order information

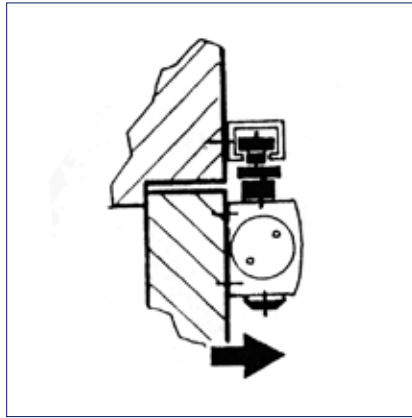
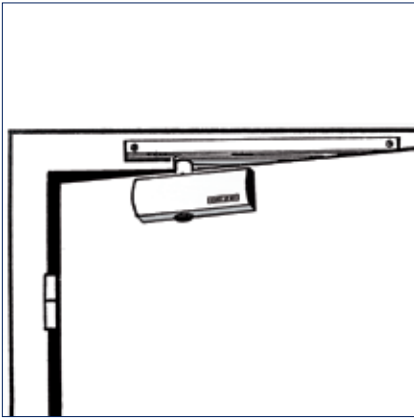
Description	Version	ID.No.
GEZE TS 1500 Closer Size EN 3/4 (without link arms)	silver	101792
Link arms TS 1500/1000C Standard	silver	101878
Link arms TS 1500/1000C with mechanical hold-open device	silver	101815
Accessories		
Mounting plate door closer for TS 1500	silver	029682

Note: See our system catalogues for further accessories and colour variants.

GEZE TS 1500 G

Door leaf installation hinge side

TS 1500 G Door leaf installation/hinge side



Area of application

- Closing force 1 according to EN 1154, leaf width up to 750 mm
- Can be used for right and left hung doors without conversion

Order information

Description	Version	ID.No.
GEZE TS 1500 G Closer Size EN 1 (without guide rail and lever)	silver	101792
Guide rail TS 1500 G with lever	silver	101885
Guide rail TS 1500 G/F with mechanical hold-open device and lever	silver	101889
Accessories		
Mechanical hold-open unit for Standard / T-Stop / Boxer 20.7 mm guide rail, adjustable holding force, can be switched on and off, can be overridden		071924
Guide rail mounting plate for TS 1500 G	silver	072333
Mounting plate door closer for TS 1500	silver	029682

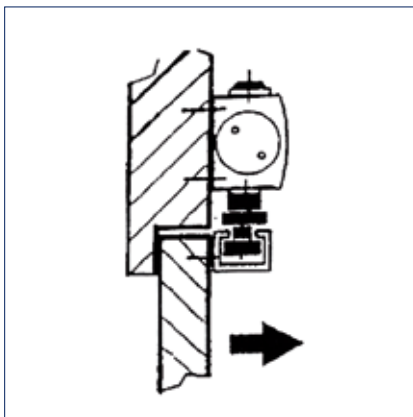
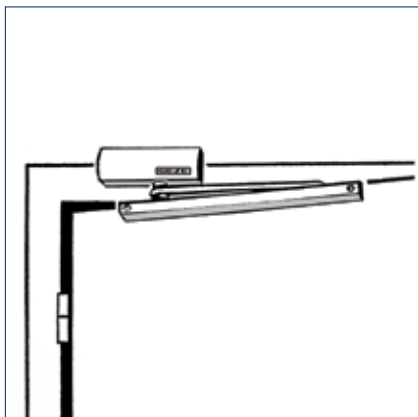
Note: See our system catalogues for further accessories and colour variants.

GEZE INSTALLATION OPTIONS

GEZE TS 1500 G

Transom installation hinge side

TS 1500 G Transom installation/hinge side



Area of application

- Closing force 1 according to EN 1154, leaf width up to 750 mm
- Can be used for right and left hung doors without conversion

Order information

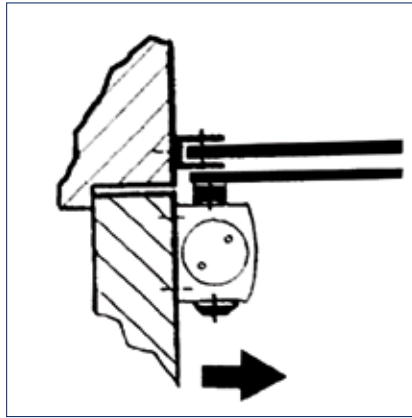
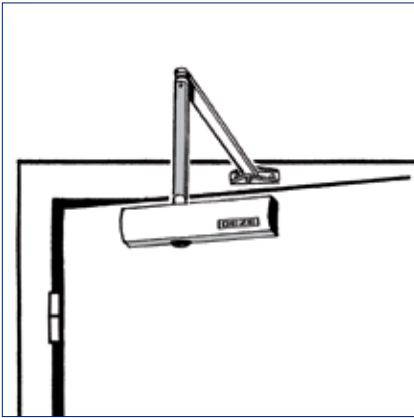
Description	Version	ID.No.
GEZE TS 1500 G Closer Size EN 1 (without guide rail and lever)	silver	101792
Guide rail TS 1500 G with lever	silver	101885
Guide rail TS 1500 G/F with mechanical hold-open device and lever	silver	101889
Accessories		
Mechanical hold-open unit for Standard / T-Stop / Boxer 20.7 mm guide rail, adjustable holding force, can be switched on and off, can be overridden		071924
Guide rail mounting plate for TS 1500 G	silver	072333
Mounting plate door closer for TS 1500	silver	029682

Note: See our system catalogues for further accessories and colour variants.

GEZE TS 2000 V / V BC

Door leaf installation hinge side

TS 2000 V Door leaf installation/hinge side



Area of application

- Closing force 2/4/5 according to EN 1154, leaf width up to 1250 mm
- Can be used for right and left hung doors without conversion

Order information

Description	Version	ID.No.
GEZE TS 2000 VBC Closer Size EN 2/4/5 with back check (without link arms)	silver	103392
GEZE TS 2000 V Closer Size EN 2/4/5 (without link arms)	silver	103386
Link arms TS 4000/2000 Standard	silver	102421
Link arms TS 4000/2000 with mechanical hold-open device which can be switched on and off	silver	102445
Link arms TS 4000/2000 with mechanical hold-open device	silver	102454
Accessories		
Mounting plate door closer for TS 2000 V		055756

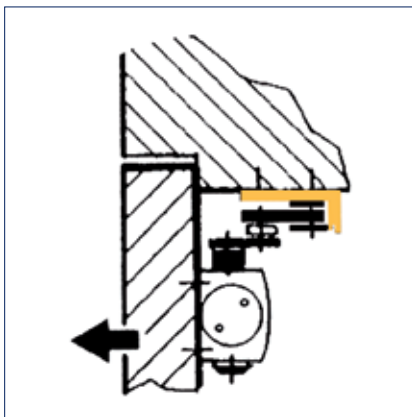
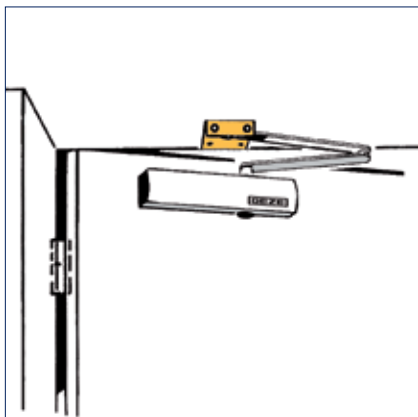
Note: See our system catalogues for further accessories and colour variants.

GEZE INSTALLATION OPTIONS

GEZE TS 2000 V / V BC

Door leaf installation opposite hinge side with PA bracket for parallel arm installation

TS 2000 V Door leaf installation/opposite hinge side parallel arm installation



Area of application

- Closing force 2/4/5 according to EN 1154, leaf width up to 1250 mm
- Can be used for right and left hung doors without conversion
- Note for rescue routes, restriction of passage height by approx. 30 mm

Order information

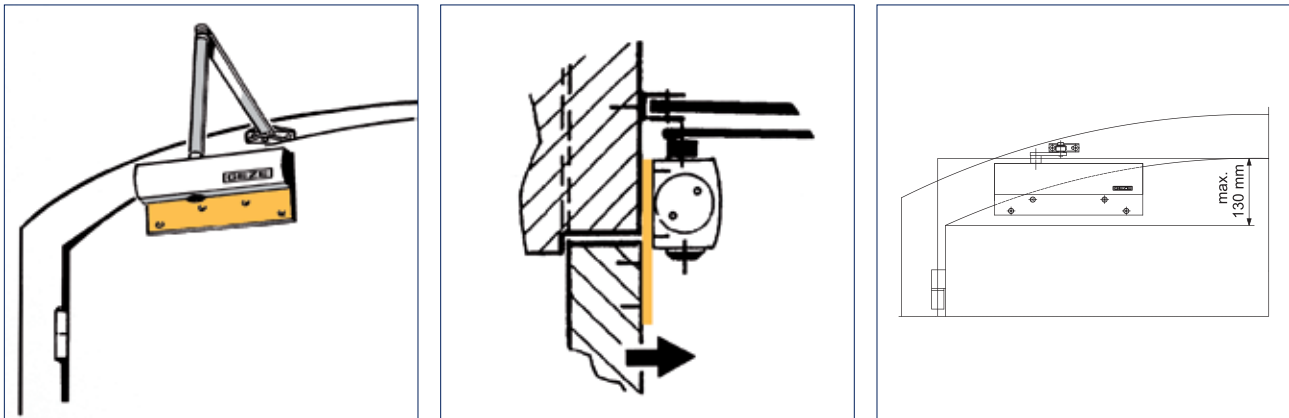
Description	Version	ID.No.
GEZE TS 2000 VBC Closer Size EN 2/4/5 with back check (without link arms)	silver	103392
GEZE TS 2000 V Closer Size EN 2/4/5 (without link arms)	silver	103386
Link arms TS 4000/2000 Standard	silver	102421
Link arms TS 4000/2000 with mechanical hold-open device which can be switched on and off	silver	102445
Link arms TS 4000/2000 with mechanical hold-open device	silver	102454
Accessories		
Mounting plate link arms for TS 4000/TS 2000, for parallel arm installation	silver	053318
Mounting plate door closer for TS 2000 V		055756

Note: See our system catalogues for further accessories and colour variants.

GEZE TS 2000 V / V BC

Door leaf installation hinge side with mounting plate for segmental arch door

TS 2000 Door leaf installation/hinge side segmental arch



Area of application

- Closing force 2/4/5 according to EN 1154, leaf width up to 1250 mm
- Can be used for right and left hung doors without conversion
- Semi/segmental arch doors, max. arch height approx. 130 mm

Order information

Description	Version	ID.No.
GEZE TS 2000 VBC Closer Size EN 2/4/5 with back check (without link arms)	silver	103392
GEZE TS 2000 V Closer Size EN 2/4/5 (without link arms)	silver	103386
Link arms TS 4000/2000 Standard	silver	102421
Link arms TS 4000/2000 with mechanical hold-open device which can be switched on and off	silver	102445
Link arms TS 4000/2000 with mechanical hold-open device	silver	102454
Accessories		
Mounting plate segmental arch door for TS 2000 V, arch height max. 130mm	silver	059044

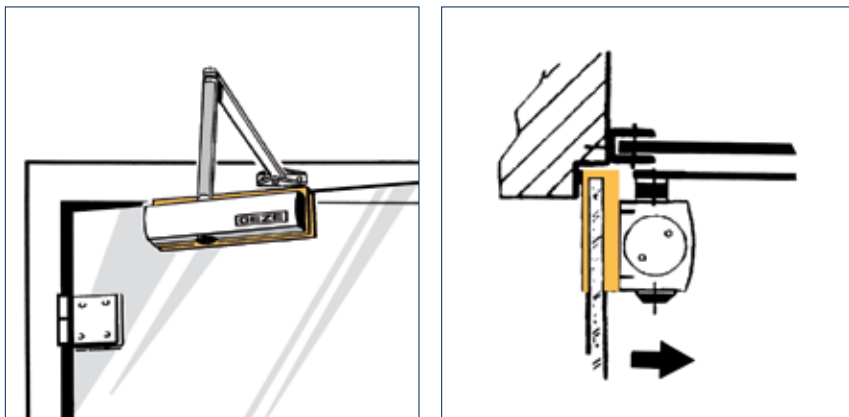
Note: See our system catalogues for further accessories and colour variants..

GEZE INSTALLATION OPTIONS

GEZE TS 2000 V / V BC

Door leaf installation hinge side with clamping shoe for all-glass door

TS 2000 V Door leaf installation/hinge side clamping shoe glass



Area of application

- Closing force 2/4/5 according to EN 1154, leaf width up to 1250 mm
- Can be used for right and left hung doors without conversion
- Clamping shoe, glass thickness 8-10 mm

Order information

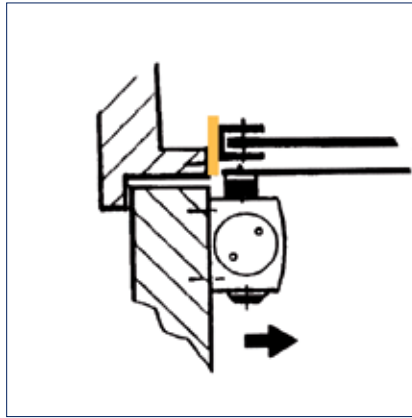
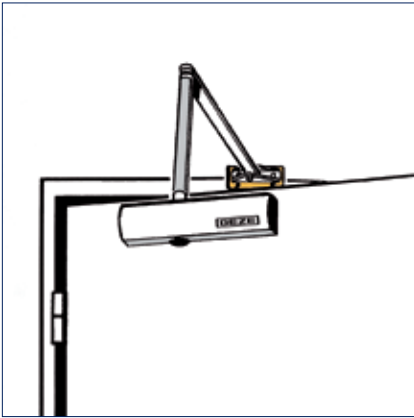
Description	Version	ID.No.
GEZE TS 2000 VBC Closer Size EN 2/4/5 with back check (without link arms)	silver	103392
GEZE TS 2000 V Closer Size EN 2/4/5 (without link arms)	silver	103386
Link arms TS 4000/2000 Standard	silver	102421
Link arms TS 4000/2000 with mechanical hold-open device which can be switched on and off	silver	102445
Link arms TS 4000/2000 with mechanical hold-open device	silver	102454
Accessories		
Glass clamping shoe door closer for TS 2000 V	silver	055773

Note: See our system catalogues for further accessories and colour variants.

GEZE TS 2000 V / V BC

Door leaf installation hinge side with mounting plate for link arms on slim frames

TS 2000 V Door leaf installation/hinge side MP slim frame

**Area of application**

- Closing force 2/4/5 according to EN 1154, leaf width up to 1250 mm
- Can be used for right and left hung doors without conversion

Order information

Description	Version	ID.No.
GEZE TS 2000 VBC Closer Size EN 2/4/5 with back check (without link arms)	silver	103392
GEZE TS 2000 V Closer Size EN 2/4/5 (without link arms)	silver	103386
Link arms TS 4000/2000 Standard	silver	102421
Link arms TS 4000/2000 with mechanical hold-open device which can be switched on and off	silver	102445
Link arms TS 4000/2000 with mechanical hold-open device	silver	102454
Accessories		
Mounting plate link arms for TS 4000/TS 2000, with slim frames	silver	057109
Mounting plate door closer for TS 2000 V		055756

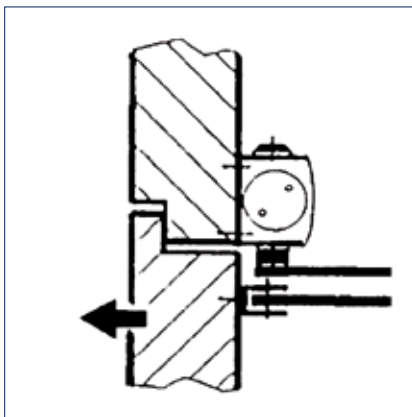
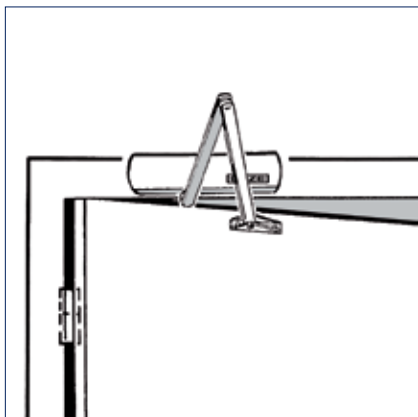
Note: See our system catalogues for further accessories and colour variants.

GEZE INSTALLATION OPTIONS

GEZE TS 2000 V / V BC

Transom installation opposite hinge side

TS 2000 V Transom installation/opposite hinge side



Area of application

- Closing force 2/4/5 according to EN 1154, leaf width up to 1250 mm
- Can be used for right and left hung doors without conversion

Order information

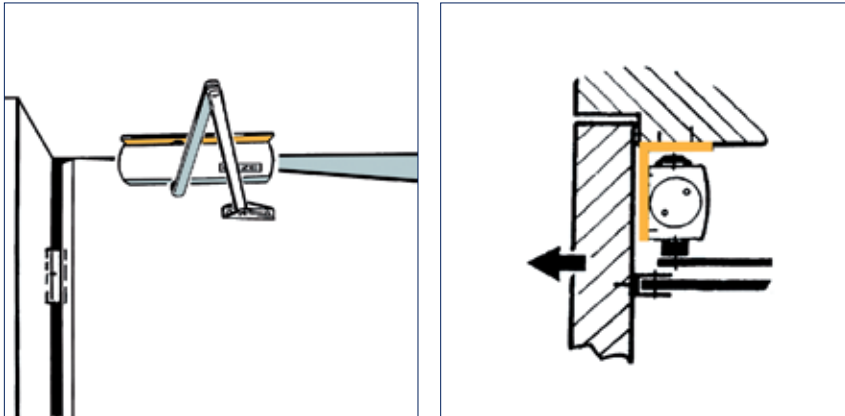
Description	Version	ID.No.
GEZE TS 2000 VBC Closer Size EN 2/4/5 with back check (without link arms)	silver	103392
GEZE TS 2000 V Closer Size EN 2/4/5 (without link arms)	silver	103386
Link arms TS 4000/2000 Standard	silver	102421
Link arms TS 4000/2000 with mechanical hold-open device which can be switched on and off	silver	102445
Link arms TS 4000/2000 with mechanical hold-open device	silver	102454
Accessories		
Mounting plate door closer for TS 2000 V		055756

Note: See our system catalogues for further accessories and colour variants.

GEZE TS 2000 V / V BC

Transom installation opposite hinge side with lintel casing bracket

TS 2000 Transom installation/opposite hinge side lintel casing bracket



Area of application

- Closing force 2/4/5 according to EN 1154, leaf width up to 1250 mm
- Can be used for right and left hung doors without conversion
- Note for rescue routes, restriction of passage height by approx. 100 mm

Order information

Description	Version	ID.No.
GEZE TS 2000 VBC Closer Size EN 2/4/5 with back check (without link arms)	silver	103392
GEZE TS 2000 V Closer Size EN 2/4/5 (without link arms)	silver	103386
Link arms TS 4000/2000 Standard	silver	102421
Link arms TS 4000/2000 with mechanical hold-open device which can be switched on and off	silver	102445
Link arms TS 4000/2000 with mechanical hold-open device	silver	102454
Accessories		
Lintel casing bracket transom installation BG for TS 2000 V	silver	055766

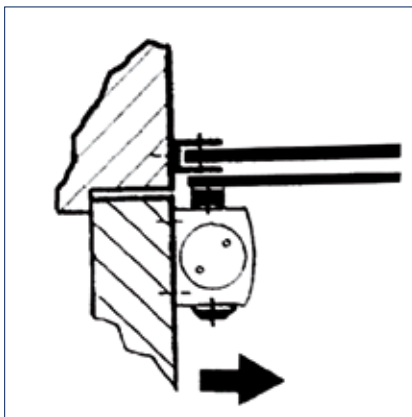
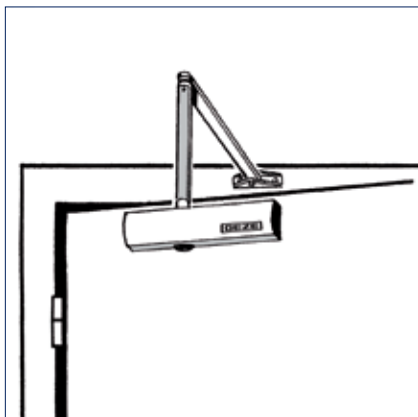
Note: See our system catalogues for further accessories and colour variants.

GEZE INSTALLATION OPTIONS

GEZE TS 2000 NV / NV BC

Door leaf installation hinge side

TS 2000 NV Door leaf installation/hinge side



Area of application

- Closing force 2-4 according to EN 1154, leaf width up to 1100 mm
- Can be used for right and left hung doors without conversion
- For fire protection doors (door closer with mounting plate)

Order information

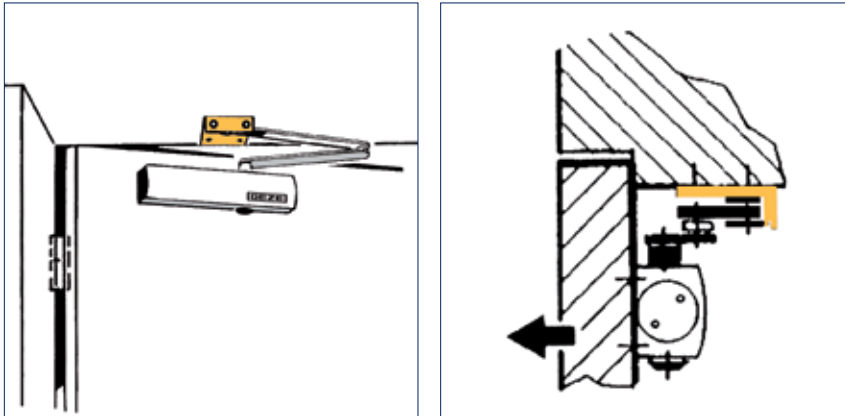
Description	Version	ID.No.
GEZE TS 2000 NV BC Closer Size EN 2-4 with back check (without link arms)	silver	124944
GEZE TS 2000 NV Closer Size EN 2-4 (without link arms)	silver	128885
Link arms TS 4000/2000 Standard	silver	102421
Link arms TS 4000/2000 with mechanical hold-open device which can be switched on and off	silver	102445
Link arms TS 4000/2000 with mechanical hold-open device	silver	102454
Accessories		
Mounting plate door closer for TS 2000 NV & NV BC with hole pattern according to DIN EN 1154-Supplement 1		126234

Note: See our system catalogues for further accessories and colour variants.

GEZE TS 2000 NV / NV BC

Door leaf installation opposite hinge side with PA bracket for parallel arm installation

TS 2000 NV Door leaf installation/opposite hinge side parallel arm installation



Area of application

- Closing force 2-4 according to EN 1154, leaf width up to 1100 mm
- Can be used for right and left hung doors without conversion
- Note for rescue routes, restriction of passage height by approx. 30 mm

Order information

Description	Version	ID.No.
GEZE TS 2000 NV BC Closer Size EN 2-4 with back check (without link arms)	silver	124944
GEZE TS 2000 NV Closer Size EN 2-4 (without link arms)	silver	128885
Link arms TS 4000/2000 Standard	silver	102421
Link arms TS 4000/2000 with mechanical hold-open device which can be switched on and off	silver	102445
Link arms TS 4000/2000 with mechanical hold-open device	silver	102454
Accessories		
Mounting plate link arms for TS 4000/TS 2000, for parallel arm installation	silver	053318
Mounting plate door closer for TS 2000 NV & NV BC with hole pattern according to DIN EN 1154 Supplement 1		126234

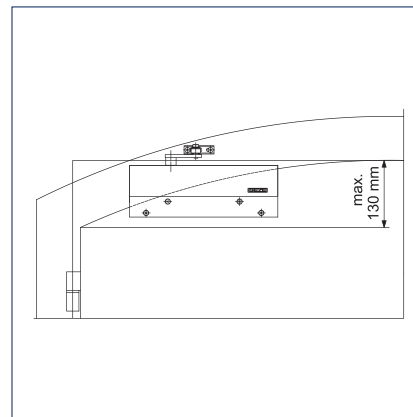
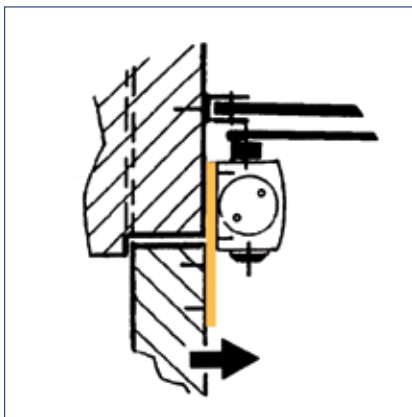
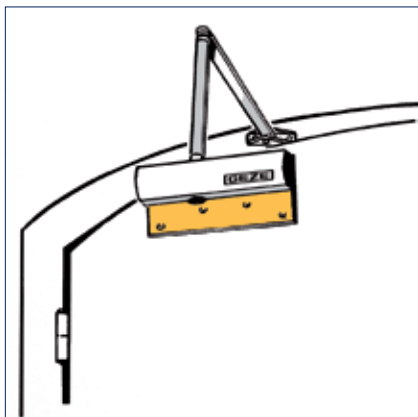
Note: See our system catalogues for further accessories and colour variants.

GEZE INSTALLATION OPTIONS

GEZE TS 2000 NV / NV BC

Door leaf installation hinge side with mounting plate for segmental arch door

TS 2000 NV Door leaf installation/hinge side segmental arch



Area of application

- Closing force 2-4 according to EN 1154, leaf width up to 1100 mm
- Can be used for right and left hung doors without conversion
- Semi/segmental arch doors, max. arch height approx. 130 mm

Order information

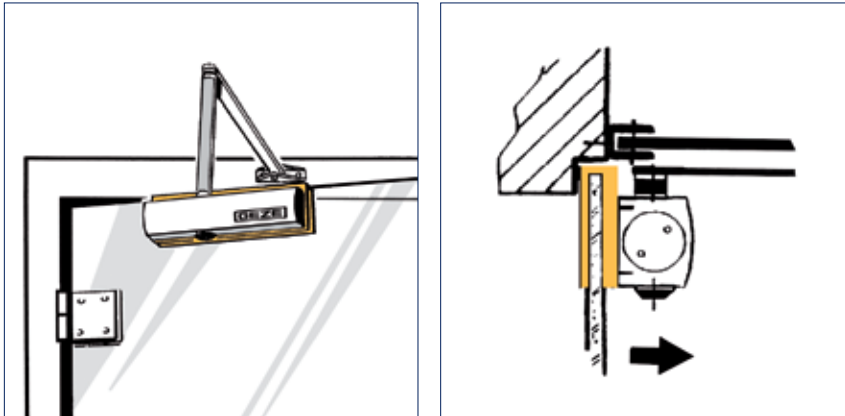
Description	Version	ID.No.
GEZE TS 2000 NV BC Closer Size EN 2-4 with back check (without link arms)	silver	124944
GEZE TS 2000 NV Closer Size EN 2-4 (without link arms)	silver	128885
Link arms TS 4000/2000 Standard	silver	102421
Link arms TS 4000/2000 with mechanical hold-open device which can be switched on and off	silver	102445
Link arms TS 4000/2000 with mechanical hold-open device	silver	102454
Accessories		
Mounting plate segmental arch door for TS 2000 NV, arch height max. 130 mm	silver	127434

Note: See our system catalogues for further accessories and colour variants.

GEZE TS 2000 NV / NV BC

Door leaf installation hinge side with clamping shoe for all-glass door

TS 2000 NV Door leaf installation/hinge side clamping shoe glass



Area of application

- Closing force 2-4 according to EN 1154, leaf width up to 1100 mm
- Can be used for right and left hung doors without conversion
- Clamping shoe, glass thickness 8-10 mm
- Variant with mounting and counterplate also possible, glass thickness 10 / 12 mm

Order information

Description	Version	ID.No.
GEZE TS 2000 NV BC Closer Size EN 2-4 with back check (without link arms)	silver	124944
GEZE TS 2000 NV Closer Size EN 2-4 (without link arms)	silver	128885
Link arms TS 4000/2000 Standard	silver	102421
Link arms TS 4000/2000 with mechanical hold-open device which can be switched on and off	silver	102445
Link arms TS 4000/2000 with mechanical hold-open device	silver	102454
Accessories		
Glass clamping shoe door closer for TS 3000/TS 2000 NV	silver	014835
Mounting and counterplate for all-glass door for TS 3000/TS 2000 NV	silver	090259

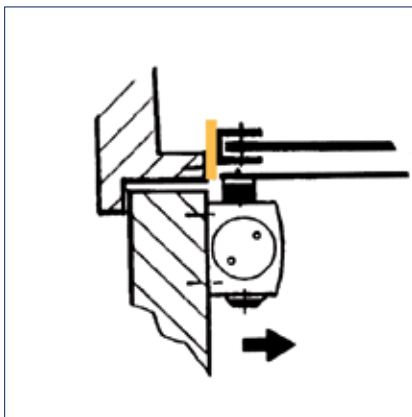
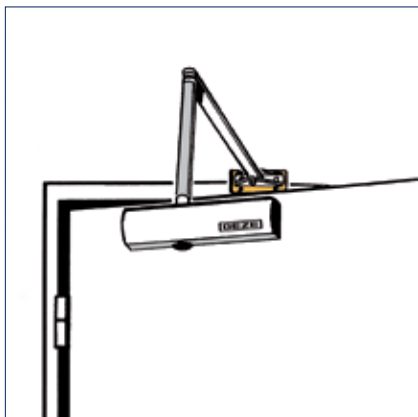
Note: See our system catalogues for further accessories and colour variants.

GEZE INSTALLATION OPTIONS

GEZE TS 2000 NV / NV BC

Door leaf installation hinge side with mounting plate for link arms on slim frames

TS 2000 NV Door leaf installation/hinge side MP slim frame



Area of application

- Closing force 2-4 according to EN 1154, leaf width up to 1100 mm
- Can be used for right and left hung doors without conversion
- For fire protection doors (door closer with mounting plate)

Order information

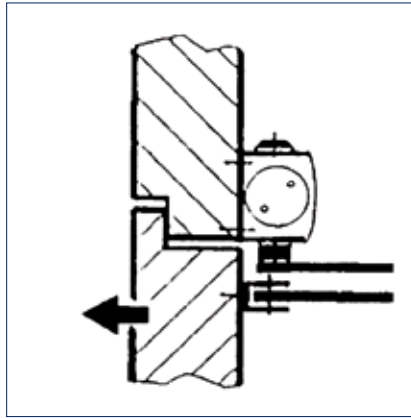
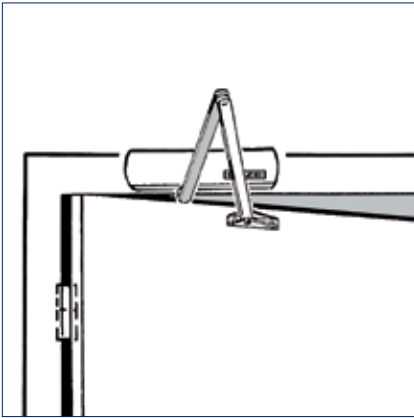
Description	Version	ID.No.
GEZE TS 2000 NV BC Closer Size EN 2-4 with back check (without link arms)	silver	124944
GEZE TS 2000 NV Closer Size EN 2-4 (without link arms)	silver	128885
Link arms TS 4000/2000 Standard	silver	102421
Link arms TS 4000/2000 with mechanical hold-open device which can be switched on and off	silver	102445
Link arms TS 4000/2000 with mechanical hold-open device	silver	102454
Accessories		
Mounting plate link arms for TS 4000/TS 2000, with slim frames	silver	057109
Mounting plate door closer for TS 2000 NV & NV BC with hole pattern according to DIN EN 1154 Supplement 1		126234

Note: See our system catalogues for further accessories and colour variants.

GEZE TS 2000 NV / NV BC

Transom installation opposite hinge side

TS 2000 NV Transom installation/opposite hinge side



Area of application

- Closing force 2-4 according to EN 1154, leaf width up to 1100 mm
- Can be used for right and left hung doors without conversion
- For fire protection doors with respective suitability certificate

Order information

Description	Version	ID.No.
GEZE TS 2000 NV BC Closer Size EN 2-4 with back check (without link arms)	silver	124944
GEZE TS 2000 NV Closer Size EN 2-4 (without link arms)	silver	128885
Link arms TS 4000/2000 Standard	silver	102421
Link arms TS 4000/2000 with mechanical hold-open device which can be switched on and off	silver	102445
Link arms TS 4000/2000 with mechanical hold-open device	silver	102454
Accessories		
Mounting plate door closer for TS 2000 NV & NV BC with hole pattern according to DIN EN 1154-Supplement 1		126234

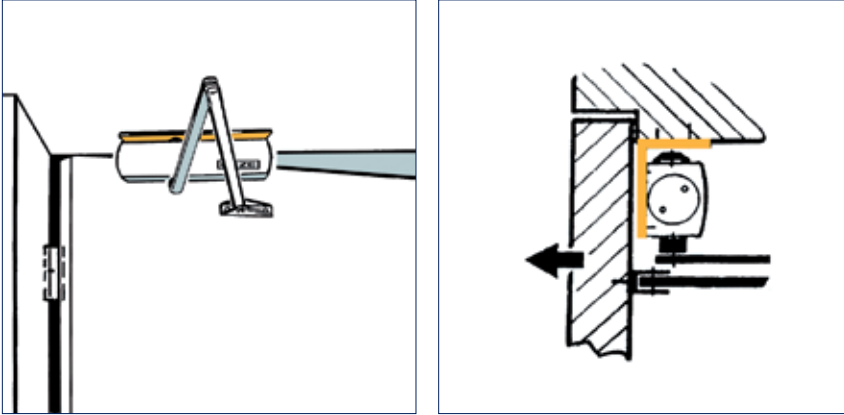
Note: See our system catalogues for further accessories and colour variants.

GEZE INSTALLATION OPTIONS

GEZE TS 2000 NV / NV BC

Transom installation opposite hinge side with lintel casing bracket

TS 2000 NV Transom installation/opposite hinge side lintel casing bracket



Area of application

- Closing force 2-4 according to EN 1154, leaf width up to 1100 mm
- Can be used for right and left hung doors without conversion
- Note for emergency exit routes, restriction of passage height by approx. 100 mm
- For fire protection doors with respective suitability certificate

Order information

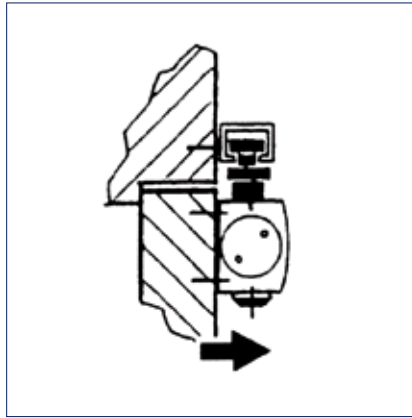
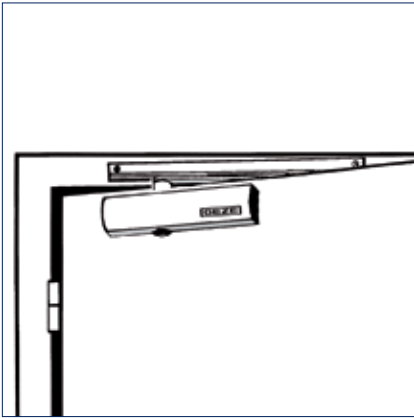
Description	Version	ID.No.
GEZE TS 2000 NV BC Closer Size EN 2-4 with back check (without link arms)	silver	124944
GEZE TS 2000 NV Closer Size EN 2-4 (without link arms)	silver	128885
Link arms TS 4000/2000 Standard	silver	102421
Link arms TS 4000/2000 with mechanical hold-open device which can be switched on and off	silver	102445
Link arms TS 4000/2000 with mechanical hold-open device	silver	102454
Accessories		
Lintel casing bracket transom installation BG for TS 2000 NV / TS 3000 V	silver	127432

Note: See our system catalogues for further accessories and colour variants.

GEZE TS 3000 V / V BC / EN3

Door leaf installation hinge side

TS 3000 V Door leaf installation/hinge side



Area of application

- Closing force 1-4 according to EN 1154, leaf width up to 1100 mm
- Can be used for right and left hung doors without conversion
- For fireproof doors (door closer with mounting plate)
- GEZE TS 3000 EN3 for leaf widths up to 950 mm

Order information

Description	Version	ID.No.
GEZE TS 3000 V Closer Size EN 1-4 (without guide rail and lever)	silver	028348
GEZE TS 3000 EN3 Closer Size EN 3 (without guide rail and lever)	silver	102247
GEZE TS 3000 V BC Closer Size EN 1-4, with back check (without guide rail and lever)	silver	109326
Guide rail TS 5000/TS 3000 Standard, with lever	silver	068221
Accessories		
Mechanical hold-open unit for Standard / T-Stop / Boxer 20.7 mm guide rail, adjustable holding force, can be switched on and off, can be overridden		071924
Guide rail mounting plate for standard / ECLine / T-Stop / EFS guide rail	silver	001512
Mounting plate door closer for TS 3000 with hole pattern according to DIN EN 1154 Supplement 1	silver	011230

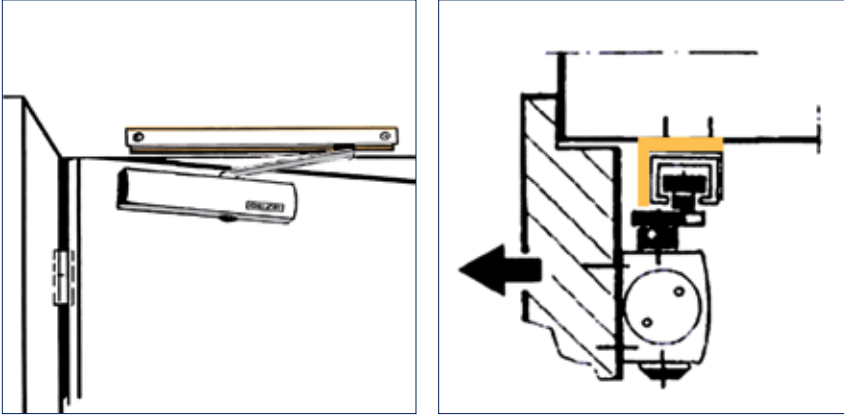
Note: See our system catalogues for further accessories and colour variants.

GEZE INSTALLATION OPTIONS

GEZE TS 3000 V / V BC / EN3

Door leaf installation opposite hinge side

TS 3000 V Door leaf installation/opposite hinge side



Area of application

- Closing force 1-4 according to EN 1154, leaf width up to 1100 mm
- Can be used for right and left hung doors without conversion
- For fire protection doors (door closer with mounting plate)
- GEZE TS 3000 EN3 for leaf widths up to 950 mm
- Installation with lintel casing bracket possible

Order information

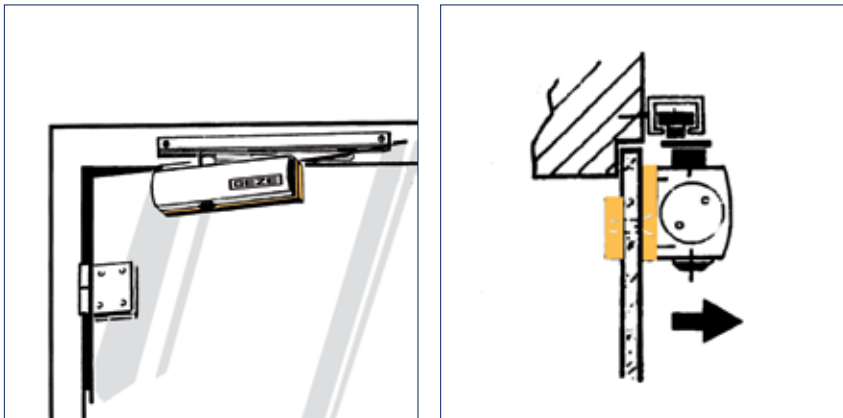
Description	Version	ID.No.
GEZE TS 3000 V Closer Size EN 1-4 (without guide rail and lever)	silver	028348
GEZE TS 3000 EN3 Closer Size EN 3 (without guide rail and lever)	silver	102247
GEZE TS 3000 V BC Closer Size EN 1-4, with back check (without guide rail and lever)	silver	109326
Guide rail BG TS 5000/TS 3000 Standard, with lever, use with closer on leaf installation on the opposite hinge side	silver	025655
Accessories		
Mechanical hold-open unit for Standard / T-Stop / Boxer 20.7 mm guide rail, adjustable holding force, can be switched on and off, can be overridden		071924
Mounting plate guide rail BG for standard / ECLine / T-Stop / EFS guide rail	silver	124683
Mounting plate door closer for TS 3000 with hole pattern according to DIN EN 1154 Supplement 1	silver	011230
Lintel casing bracket guide rail BG for standard guide rail	silver	025657

Note: See our system catalogues for further accessories and colour variants.

GEZE TS 3000 V / V BC / EN3

Door leaf installation hinge side with mounting and counterplate for all-glass door

TS 3000 V Door leaf installation/hinge side counterplate glass



Area of application

- Closing force 1-4 according to EN 1154, leaf width up to 1100 mm
- Can be used for right and left hung doors without conversion
- GEZE TS 3000 EN3 for leaf widths up to 950 mm
- Mounting and counterplate, glass thickness 10 / 12 mm
- See the corresponding installation/assembly drawing for the preparation dimensions

Order information

Description	Version	ID.No.
GEZE TS 3000 V Closer Size EN 1-4 (without guide rail and lever)	silver	028348
GEZE TS 3000 EN3 Closer Size EN 3 (without guide rail and lever)	silver	102247
GEZE TS 3000 V BC Closer Size EN 1-4, with back check (without guide rail and lever)	silver	109326
Guide rail TS 5000/TS 3000 Standard, with lever	silver	068221
Accessories		
Mounting and counterplate for all-glass door for TS 3000/TS 2000 NV	silver	090259
Mechanical hold-open unit for Standard / T-Stop / Boxer 20.7 mm guide rail, adjustable holding force, can be switched on and off, can be overridden		071924
Guide rail mounting plate for standard / Ecline / T-Stop / EFS guide rail	silver	001512

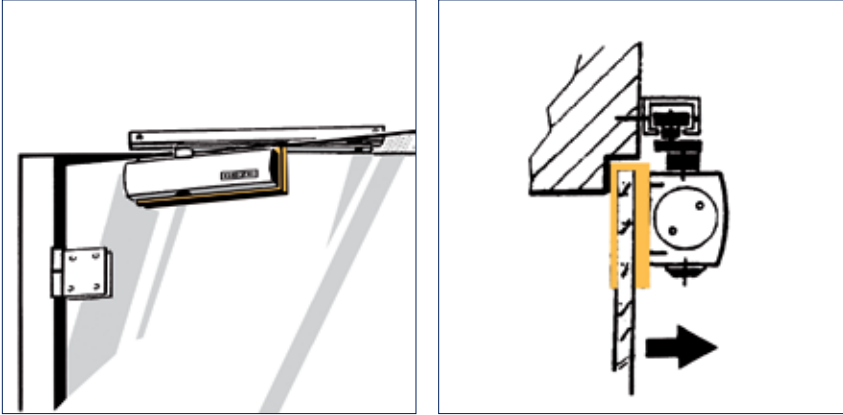
Note: See our system catalogues for further accessories and colour variants.

GEZE INSTALLATION OPTIONS

GEZE TS 3000 V / V BC / EN3

Door leaf installation hinge side with clamping shoe for all-glass door

TS 3000 V Door leaf installation/hinge side clamping shoe glass



Area of application

- Closing force 1-4 according to EN 1154, leaf width up to 1100 mm
- Can be used for right and left hung doors without conversion
- GEZE TS 3000 EN3 for leaf widths up to 950 mm
- Clamping shoe, glass thickness 8-10 mm

Order information

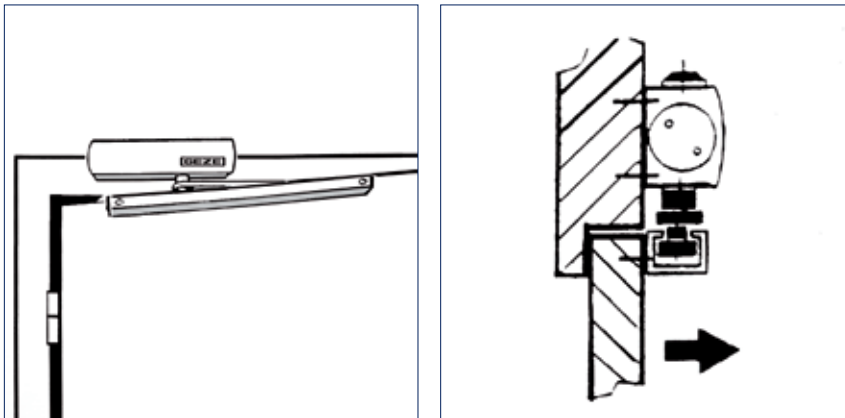
Description	Version	ID.No.
GEZE TS 3000 V Closer Size EN 1-4 (without guide rail and lever)	silver	028348
GEZE TS 3000 EN3 Closer Size EN 3 (without guide rail and lever)	silver	102247
GEZE TS 3000 V BC Closer Size EN 1-4, with back check (without guide rail and lever)	silver	109326
Guide rail TS 5000/TS 3000 Standard, with lever	silver	068221
Accessories		
Glass clamping shoe door closer for TS 3000/TS 2000 NV	silver	014835
Mechanical hold-open unit for Standard / T-Stop / Boxer 20.7 mm guide rail, adjustable holding force, can be switched on and off, can be overridden		071924
Guide rail mounting plate for Standard / ECLine / T-Stop / EFS guide rail	silver	001512

Note: See our system catalogues for further accessories and colour variants.

GEZE TS 3000 V / V BC / EN3

Transom installation hinge side

TS 3000 V Transom installation/hinge side



Area of application

- Closing force 1-4 according to EN 1154, leaf width up to 1100 mm
- Can be used for right and left hung doors without conversion
- GEZE TS 3000 EN3 for leaf widths up to 950 mm
- For fire protection doors with respective suitability certificate

Order information

Description	Version	ID.No.
GEZE TS 3000 V Closer Size EN 1-4 (without guide rail and lever)	silver	028348
GEZE TS 3000 EN3 Closer Size EN 3 (without guide rail and lever)	silver	102247
GEZE TS 3000 V BC Closer Size EN 1-4, with back check (without guide rail and lever)	silver	109326
Guide rail TS 5000/TS 3000 Standard, with lever	silver	068221
Accessories		
Mechanical hold-open unit for Standard / T-Stop / Boxer 20.7 mm guide rail, adjustable holding force, can be switched on and off, can be overridden		071924
Guide rail mounting plate for Standard / ECLine / T-Stop / EFS guide rail	silver	001512
Mounting plate door closer for TS 3000 with hole pattern according to DIN EN 1154 Supplement 1	silver	011230

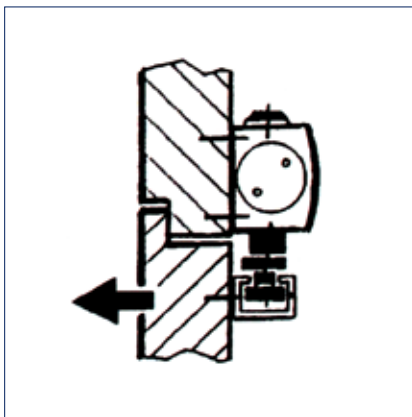
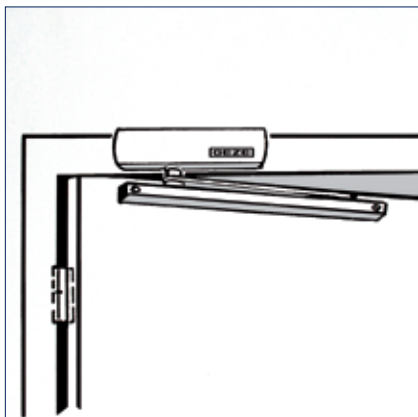
Note: See our system catalogues for further accessories and colour variants.

GEZE INSTALLATION OPTIONS

GEZE TS 3000 V / V BC / EN3

Transom installation opposite hinge side

TS 3000 V Transom installation/opposite hinge side



Area of application

- Closing force 1-4 according to EN 1154, leaf width up to 1100 mm
- Can be used for right and left hung doors without conversion
- GEZE TS 3000 EN3 for leaf widths up to 950 mm
- For fire protection doors with respective suitability certificate

Order information

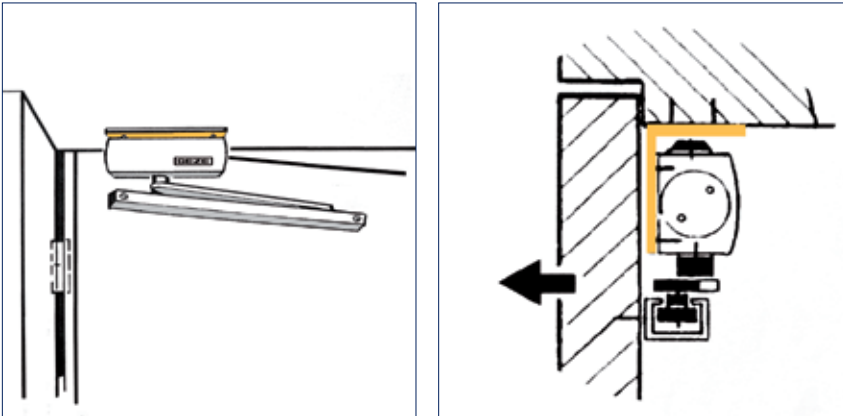
Description	Version	ID.No.
GEZE TS 3000 V Closer Size EN 1-4 (without guide rail and lever)	silver	028348
GEZE TS 3000 EN3 Closer Size EN 3 (without guide rail and lever)	silver	102247
GEZE TS 3000 V BC Closer Size EN 1-4, with back check (without guide rail and lever)	silver	109326
Guide rail TS 5000/TS 3000 Standard, with lever	silver	068221
Guide rail TS 5000/3000, riveted fixed riveted slider with lever	silver	069650
Accessories		
Mechanical hold-open unit for Standard / T-Stop / Boxer 20.7 mm guide rail, adjustable holding force, can be switched on and off, can be overridden		071924
Guide rail mounting plate for Standard / ECLine / T-Stop / EFS guide rail	silver	001512
Mounting plate door closer for TS 3000 with hole pattern according to DIN EN 1154 Supplement 1	silver	011230

Note: See our system catalogues for further accessories and colour variants.

GEZE TS 3000 V / V BC / EN3

Transom installation opposite hinge side with lintel casing bracket

TS 3000 V Transom installation/opposite hinge side lintel casing bracket



Area of application

- Closing force 1-4 according to EN 1154, leaf width up to 1100 mm
- Can be used for right and left hung doors without conversion
- GEZE TS 3000 EN3 for leaf widths up to 950 mm
- Note for emergency exit routes, restriction of passage height by approx. 100 mm
- For fire protection doors with respective suitability certificate

Order information

Description	Version	ID.No.
GEZE TS 3000 V Closer Size EN 1-4 (without guide rail and lever)	silver	028348
GEZE TS 3000 EN3 Closer Size EN 3 (without guide rail and lever)	silver	102247
GEZE TS 3000 V BC Closer Size EN 1-4, with back check (without guide rail and lever)	silver	109326
Guide rail TS 5000/TS 3000 Standard, with lever	silver	068221
Guide rail TS 5000/3000, riveted fixed riveted slider, with lever	silver	069650
Accessories		
Mechanical hold-open unit for Standard / T-Stop / Boxer 20.7 mm guide rail, adjustable holding force, can be switched on and off, can be overridden		071924
Guide rail mounting plate for Standard / ECLine / T-Stop / EFS guide rail	silver	001512
Lintel casing bracket transom installation BG for TS 2000 NV / TS 3000 V	silver	127432

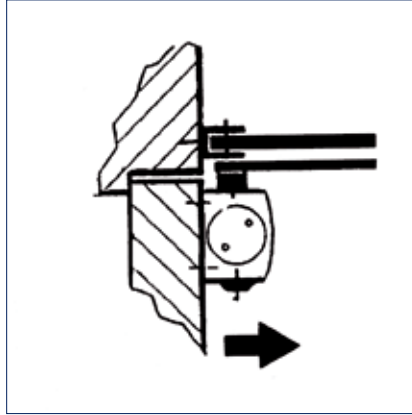
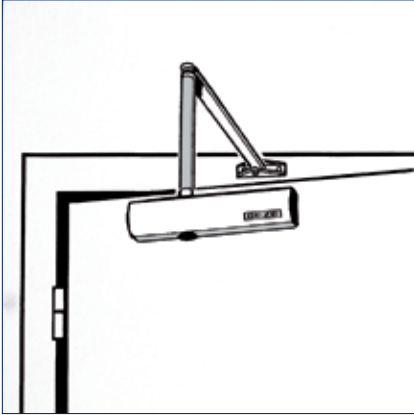
Note: See our system catalogues for further accessories and colour variants.

GEZE INSTALLATION OPTIONS

GEZE TS 4000 / S / E / EFS

Door leaf installation hinge side

TS 4000 Door leaf installation/hinge side



Area of application

- Closing force 1-6 according to EN 1154, leaf width up to 1400 mm
- Can be used for right and left hung doors without conversion
- For fire protection doors
- GEZE TS 4000 EN 5-7 for leaf widths up to 1600 mm
- An interruption button is mandatory for free swing door closers in Germany.

Order information

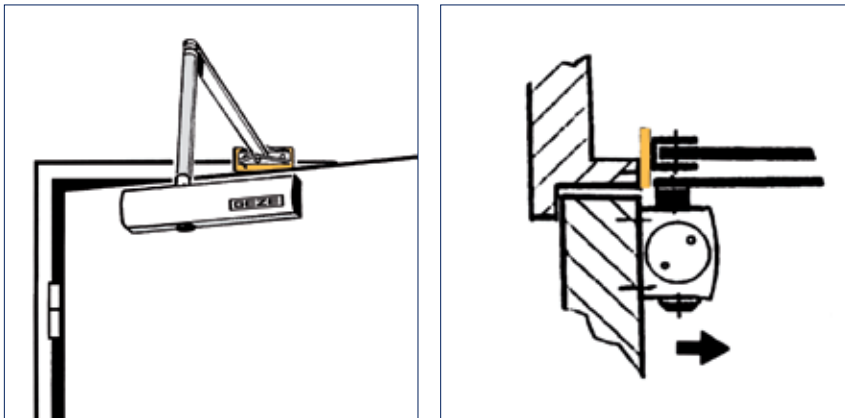
Description	Version	ID no.
GEZE TS 4000 Closer Size EN 1-6 with back check (without link arms)	silver	102789
GEZE TS 4000 S Closer Size EN 1-6 with delayed closing action and back check (without link arms)	silver	107745
GEZE TS 4000 Closer Size EN 5-7 with back check (without link arms)	silver	102837
GEZE TS 4000 E Closer Closing force EN 1-6, door leaf installation hinge side, with electric hold-open device and connector box (without link arm)	silver	105211
GEZE TS 4000 EFS Closer Size EN 1-6, door leaf installation hinge side, with electric hold-open device for free swing function and connector box (without free swing arms)	silver	105211
Link arms TS 4000/2000 Standard	silver	102421
Link arms TS 4000/2000 with mechanical hold-open device which can be switched on and off	silver	102445
Link arms TS 4000/2000 with mechanical hold-open device	silver	102454
Link arms TS 4000 EFS/RFS with free swing function	silver	106460
Zubehör		
Mounting plate door closer for TS 5000/TS 4000 with hole pattern in accordance with DIN EN 1154 Supplement 1	silver	049185
Mounting plate door closer for TS 5000 EFS/RFS/E-HY/TS 4000 E with hole pattern in accordance with DIN EN 1154 Supplement 1	silver	059107
GEZE interruption button flush-mounted version for the manual release of electrically controlled hold-open mechanisms	alpine white	116266

Note: See our system catalogues for further accessories and colour variants.

GEZE TS 4000 / S / E / EFS

Door leaf installation hinge side with mounting plate for link arms on slim frames

TS 4000 Door leaf installation/hinge side MP slim frame



Area of application

- Closing force 1-6 according to EN 1154, leaf width up to 1400 mm
- Can be used for right and left hung doors without conversion
- For fire protection doors
- GEZE TS 4000 EN 5-7 for leaf widths up to 1600 mm
- An interruption button is mandatory for free swing door closers in Germany.

Order information

Description	Version	ID no.
GEZE TS 4000 Closer Size EN 1-6 with back check (without link arms)	silver	102789
GEZE TS 4000 S Closer Size EN 1-6 with delayed closing action and back check (without link arms)	silver	107745
GEZE TS 4000 Closer Size EN 5-7 with back check (without link arms)	silver	102837
GEZE TS 4000 E Closer Closing force EN 1-6, door leaf installation opposite hinge side, with electric hold-open device and connector box (without link arm)	silver	105211
GEZE TS 4000 EFS Closer Size EN 1-6, door leaf installation hinge side, with electric hold-open device for free swing function and connector box (without free swing arms)	silver	105211
Link arms TS 4000/2000 Standard	silver	102421
Link arms TS 4000/2000 with mechanical hold-open device which can be switched on and off	silver	102445
Link arms TS 4000/2000 with mechanical hold-open device	silver	102454
Link arms TS 4000 EFS/RFS with free swing function	silver	106460
Zubehör		
Mounting plate link arms for TS 4000/TS 2000, with slim frames	silver	057109
Mounting plate door closer for TS 5000/TS 4000 with hole pattern in accordance with DIN EN 1154 Supplement 1	silver	049185
Mounting plate door closer for TS 5000 EFS/RFS/E-HY/TS 4000 E with hole pattern in accordance with DIN EN 1154 Supplement 1	silver	059107
GEZE interruption button flush-mounted version for the manual release of electrically controlled hold-open mechanisms	alpine white	116266

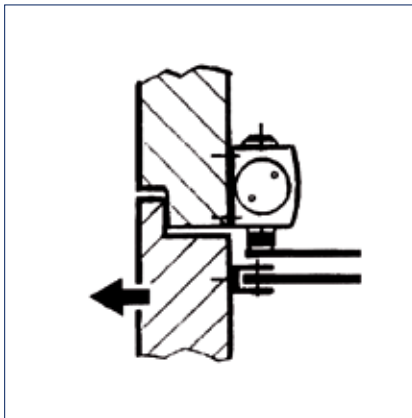
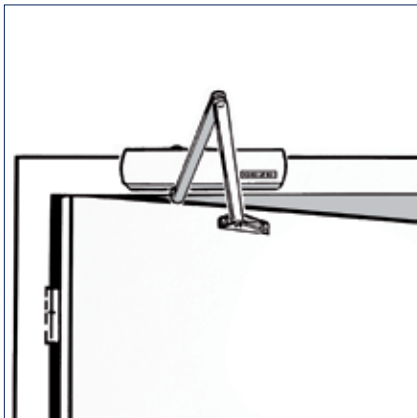
Note: See our system catalogues for further accessories and colour variants.

GEZE INSTALLATION OPTIONS

GEZE TS 4000 / E / EFS / R / RFS

Transom installation opposite hinge side

TS 4000 Transom installation/opposite hinge side



Area of application

- Closing force 1-6 according to EN 1154, leaf width up to 1400 mm
- Can be used for right and left hung doors without conversion
- GEZE TS 4000 EN 5-7 for leaf widths up to 1600 mm
- An interruption button is mandatory for free swing door closers in Germany.

Order information

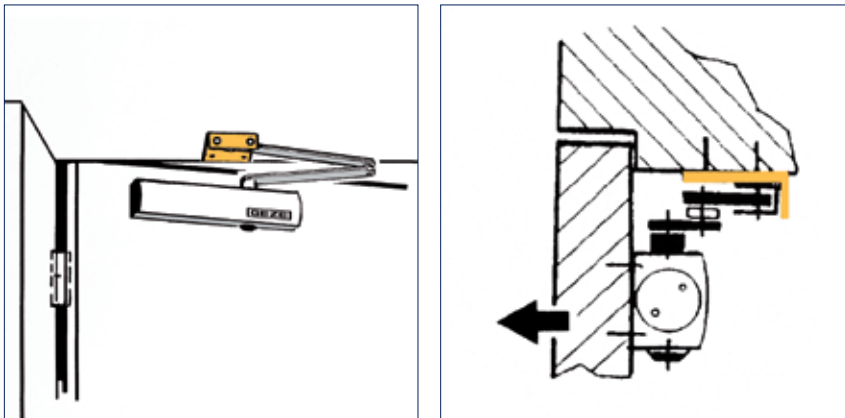
Description	Version	ID no.
GEZE TS 4000 Closer Size EN 1-6 with back check (without link arms)	silver	102789
GEZE TS 4000 Closer Size EN 5-7 with back check (without link arms)	silver	102837
GEZE TS 4000 E KM BG Closer Size EN 1-6, transom installation opposite hinge side, with electric hold-open device (without link arms)	silver	105213
GEZE TS 4000 EFS KM BG Closer Size EN 1-6, transom installation opposite hinge side, with electric hold-open device for free swing function (without free swing arms)	silver	105213
GEZE TS 4000 R KM BG Closer Size EN 1-6, transom installation opposite hinge side, with electric hold-open device and integrated smoke switch control unit (without link arms)	silver	105241
GEZE TS 4000 RFS KM BG Closer Size EN 1-6, transom installation opposite hinge side, with electric hold-open device for free swing function and integrated smoke switch control unit (without free swing arms)	silver	105241
Link arms TS 4000/2000 Standard	silver	102421
Link arms TS 4000/2000 with mechanical hold-open device which can be switched on and off	silver	102445
Link arms TS 4000/2000 with mechanical hold-open device	silver	102454
Link arms TS 4000 EFS/RFS with free swing function	silver	106460
Zubehör		
Mounting plate door closer for TS 5000/TS 4000 with hole pattern in accordance with DIN EN 1154 Supplement 1	silver	049185
Mounting plate door closer for TS 5000 EFS/RFS/E-HY/TS 4000 E with hole pattern in accordance with DIN EN 1154 Supplement 1	silver	059107
Mounting plate door closer for TS 5000 RFS KM/ TS 4000 R & R-IS with hole pattern in accordance with DIN EN 1154 Supplement 1	black	058808

Note: See our system catalogues for further accessories and colour variants.

GEZE TS 4000 / S

Door leaf installation opposite hinge side with PA bracket for parallel arm installation

TS 4000 Door leaf installation/opposite hinge side parallel arm installation



Area of application

- Closing force 1-6 according to EN 1154, leaf width up to 1400 mm
- Can be used for right and left hung doors without conversion
- GEZE TS 4000 EN 5-7 for leaf widths up to 1600 mm
- Note for rescue routes, restriction of passage height by approx. 30 mm
- For fire protection doors (door closer with mounting plate)

Order information

Description	Version	ID.No.
GEZE TS 4000 Closer Size EN 1-6 with back check (without link arms)	silver	102789
GEZE TS 4000 S Closer Size EN 1-6 with delayed closing action and back check (without link arms)	silver	107745
GEZE TS 4000 Closer Size EN 5-7 with back check (without link arms)	silver	102837
Link arms TS 4000/2000 Standard	silver	102421
Link arms TS 4000/2000 with mechanical hold-open device which can be switched on and off	silver	102445
Link arms TS 4000/2000 with mechanical hold-open device	silver	102454
Accessories		
Mounting plate link arms for TS 4000/TS 2000, for parallel arm installation	silver	053318
Mounting plate door closer for TS 5000/TS 4000 with hole pattern according to DIN EN 1154 Supplement 1	silver	049185

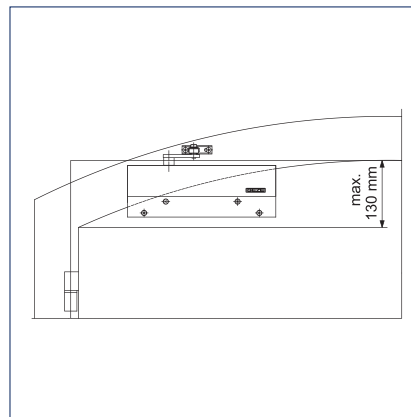
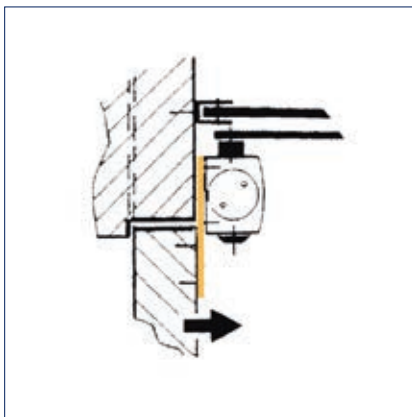
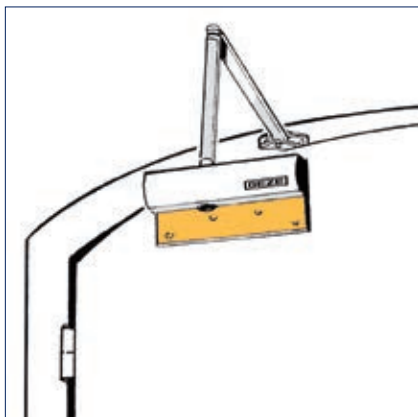
Note: See our system catalogues for further accessories and colour variants.

GEZE INSTALLATION OPTIONS

GEZE TS 4000 / S

Door leaf installation hinge side with mounting plate for segmental arch door

TS 4000 Door leaf installation/hinge side segmental arch



Area of application

- Closing force 1-6 according to EN 1154, leaf width up to 1400 mm
- Can be used for right and left hung doors without conversion
- GEZE TS 4000 EN 5-7 for leaf widths up to 1600 mm
- Semi/segmental arch doors, max. arch height approx. 130 mm

Order information

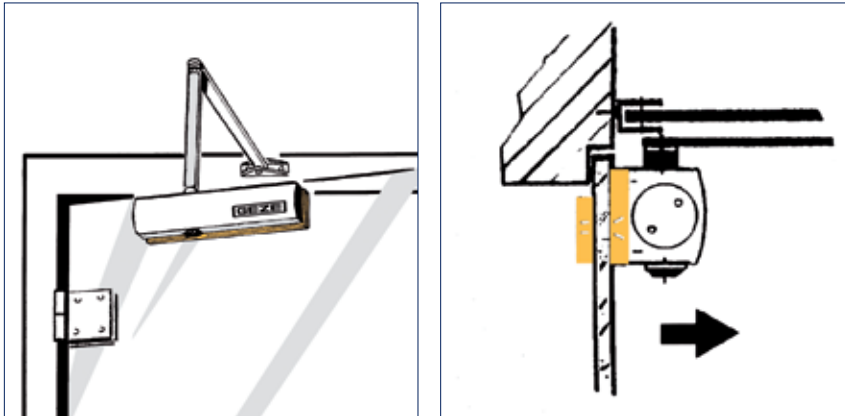
Description	Version	ID.No.
GEZE TS 4000 Closer Size EN 1-6 with back check (without link arms)	silver	102789
GEZE TS 4000 S Closer Size EN 1-6 with delayed closing action and back check (without link arms)	silver	107745
GEZE TS 4000 Closer Size EN 5-7 with back check (without link arms)	silver	102837
Link arms TS 4000/2000 Standard	silver	102421
Link arms TS 4000/2000 with mechanical hold-open device which can be switched on and off	silver	102445
Link arms TS 4000/2000 with mechanical hold-open device	silver	102454
Accessories		
Mounting plate segmental arch door for TS 4000, arch height max. 130 mm	silver	058782

Note: See our system catalogues for further accessories and colour variants.

GEZE TS 4000 / S

Door leaf installation hinge side with mounting and counterplate for all-glass door

TS 4000 Door leaf installation/hinge side counterplate glass



Area of application

- Closing force 1-6 according to EN 1154, leaf width up to 1400 mm
- Can be used for right and left hung doors without conversion
- GEZE TS 4000 EN 5-7 for leaf widths up to 1600 mm
- Mounting and counterplate, glass thickness 10 / 12 mm
- See the corresponding installation/assembly drawing for the preparation dimensions

Order information

Description	Version	ID no.
GEZE TS 4000 Closer Size EN 1-6 with back check (without link arms)	silver	102789
GEZE TS 4000 S Closer Size EN 1-6 with delayed closing action and back check (without link arms)	silver	107745
GEZE TS 4000 Closer Size EN 5-7 with back check (without link arms)	silver	102837
Link arms TS 4000/2000 Standard	silver	102421
Link arms TS 4000/2000 with mechanical hold-open device which can be switched on and off	silver	102445
Link arms TS 4000/2000 with mechanical hold-open device	silver	102454
Accessories		
Mounting and counterplate for all-glass door for TS 5000/TS 4000	silver	007923

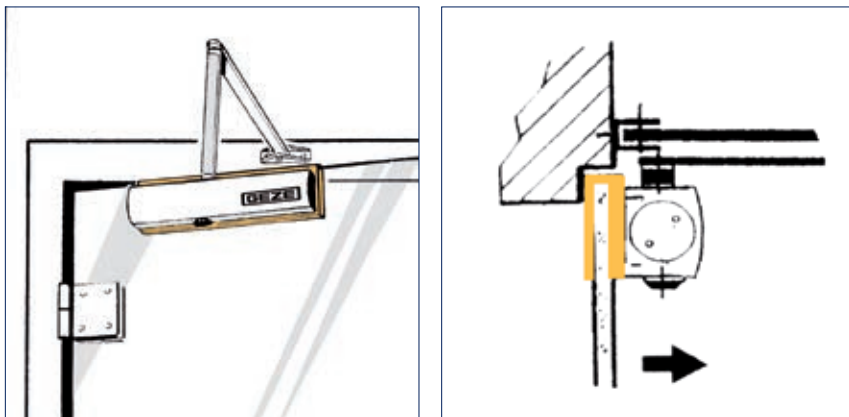
Note: See our system catalogues for further accessories and colour variants.

GEZE INSTALLATION OPTIONS

GEZE TS 4000 / S

Door leaf installation hinge side with clamping shoe for all-glass door

TS 4000 Door leaf installation/hinge side clamping shoe glass



Area of application

- Closing force 1-6 according to EN 1154, leaf width up to 1400 mm
- Can be used for right and left hung doors without conversion
- GEZE TS 4000 EN 5-7 for leaf widths up to 1600 mm
- Clamping shoe, glass thickness 8-10 mm

Order information

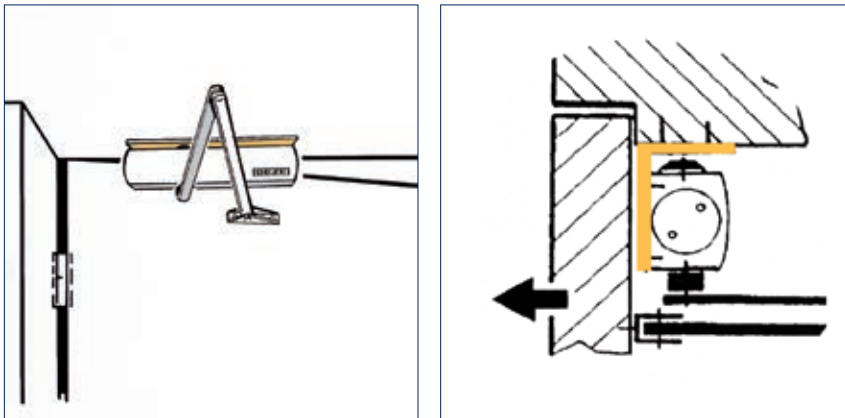
Description	Version	ID.No.
GEZE TS 4000 Closer Size EN 1-6 with back check (without link arms)	silver	102789
GEZE TS 4000 S Closer Size EN 1-6 with delayed closing action and back check (without link arms)	silver	107745
GEZE TS 4000 Closer Size EN 5-7 with back check (without link arms)	silver	102837
Link arms TS 4000/2000 Standard	silver	102421
Link arms TS 4000/2000 with mechanical hold-open device which can be switched on and off	silver	102445
Link arms TS 4000/2000 with mechanical hold-open device	silver	102454
Accessories		
Glass clamping shoe door closer for TS 5000/TS 4000	silver	057126

Note: See our system catalogues for further accessories and colour variants.

GEZE TS 4000 / S

Transom installation opposite hinge side with lintel casing bracket

TS 4000 Transom installation/opposite hinge side lintel casing bracket



Area of application

- Closing force 1-6 according to EN 1154, leaf width up to 1400 mm
- Can be used for right and left hung doors without conversion
- GEZE TS 4000 EN 5-7 for leaf widths up to 1600 mm
- Note for rescue routes, restriction of passage height by approx. 100 mm
- For fire protection doors with respective suitability certificate

Order information

Description	Version	ID.No.
GEZE TS 4000 Closer Size EN 1-6 with back check (without link arms)	silver	102789
GEZE TS 4000 S Closer Size EN 1-6 with delayed closing action and back check (without link arms)	silver	107745
GEZE TS 4000 Closer Size EN 5-7 with back check (without link arms)	silver	102837
Link arms TS 4000/2000 Standard	silver	102421
Link arms TS 4000/2000 with mechanical hold-open device which can be switched on and off	silver	102445
Link arms TS 4000/2000 with mechanical hold-open device	silver	102454
Accessories		
Lintel casing bracket transom installation opposite hinge side for TS 5000/TS 4000	silver	049240

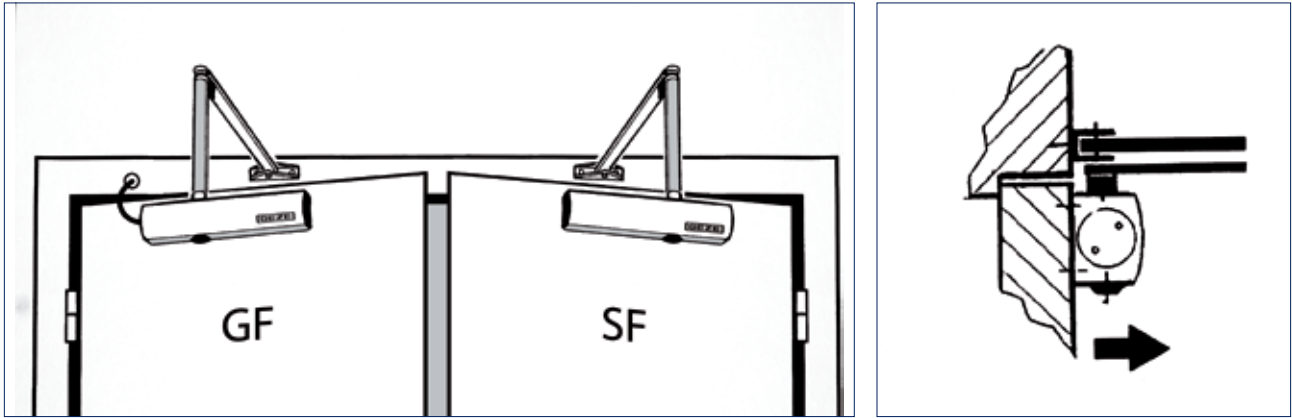
Note: See our system catalogues for further accessories and colour variants.

GEZE INSTALLATION OPTIONS

GEZE TS 4000 IS / E-IS

Door leaf installation hinge side, double-leaf

TS 4000 Door leaf installation/hinge side, double-leaf



Area of application

- Closing force 1-6 according to EN 1154, leaf width up to 1400 mm
- Can be used for right and left hung doors without conversion
- For fireproof doors (door closer with mounting plate)

Order information

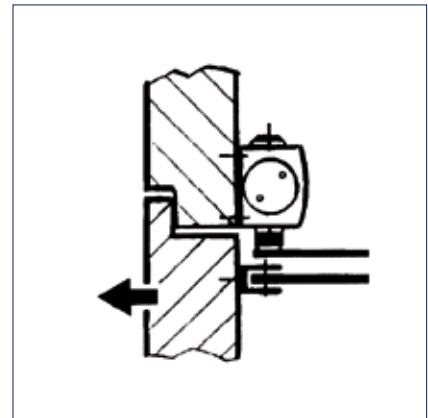
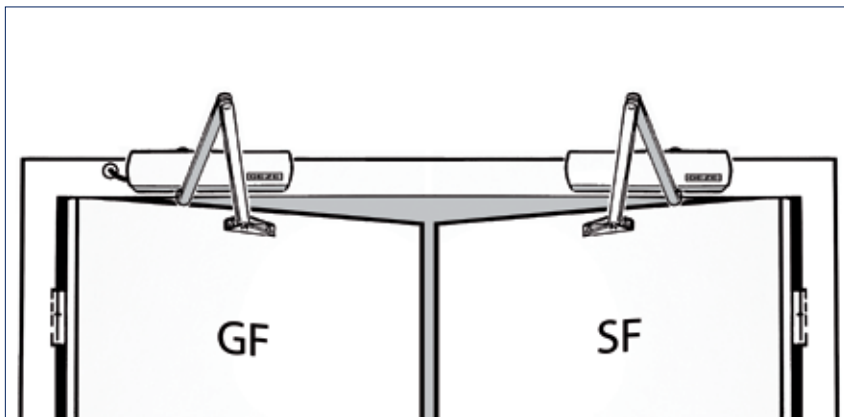
Description	Version	ID.No.
GEZE TS 4000 IS Closer Size EN 1-6 with integrated closing sequence control (without release mechanism and link arms)	silver	102798
GEZE TS 4000 E-IS Closer Size EN 1-6, door leaf installation hinge side, with electric hold-open device, connector box, integrated closing sequence control and mounting plate (without release mechanism and link arms)	silver	105237
Link arms TS 4000/2000 Standard	silver	102421
Link arms TS 4000/2000 with mechanical hold-open device which can be switched on and off	silver	102445
Link arms TS 4000/2000 with mechanical hold-open device	silver	102454
Accessories		
		058306
		058307
Release mechanism closing sequence control for TS 4000 IS / E-IS / R-IS		058308
		058309
		058310
		058311
	Mounting plate door closer for TS 5000/TS 4000 with hole pattern according to DIN EN 1154 Supplement 1	silver

Note: See our system catalogues for further accessories and colour variants.

GEZE TS 4000 IS / E-IS / R-IS

Transom installation opposite hinge side, double-leaf

TS 4000 Transom installation/opposite hinge side, double-leaf



Area of application

- Closing force 1-6 according to EN 1154, leaf width up to 1400 mm
- Can be used for right and left hung doors without conversion
- For fire protection doors with respective suitability certificate

Order information

Description	Version	ID.No.
GEZE TS 4000 IS Closer Size EN 1-6 with integrated closing sequence control (without release mechanism and link arms)	silver	102798
GEZE TS 4000 E-IS KM BG Closer Size EN 1-6, transom installation opposite hinge side, with electric hold-open device, integrated closing sequence control and mounting plate (without link arms and connector box)	silver	105239
GEZE TS 4000 R-IS KM BG Closer Size EN 1-6, transom installation opposite hinge side, with integrated closing sequence control, electric hold-open device and smoke switch control unit (without link arms and release mechanism)	silver	105244
Link arms TS 4000/2000 Standard	silver	102421
Link arms TS 4000/2000 with mechanical hold-open device which can be switched on and off	silver	102445
Link arms TS 4000/2000 with mechanical hold-open device	silver	102454
Accessories		
		058306
		058307
Release mechanism closing sequence control for TS 4000 IS / E-IS / R-IS		058308
		058309
		058310
		058311
Mounting plate door closer for TS 5000/TS 4000 with hole pattern according to DIN EN 1154 Supplement 1	silver	049185

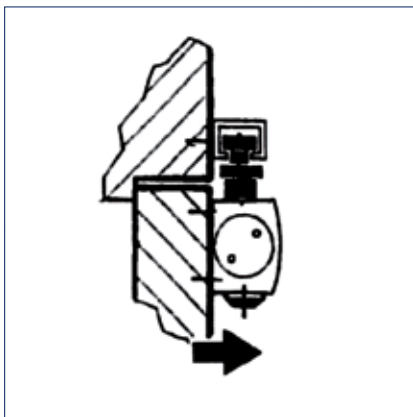
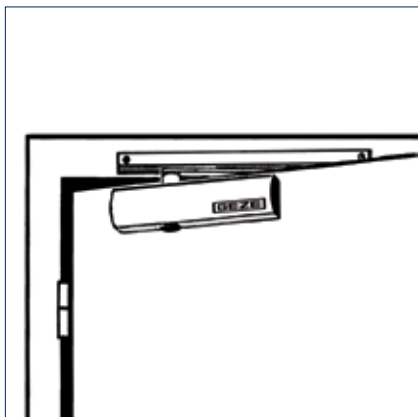
Note: See our system catalogues for further accessories and colour variants.

GEZE INSTALLATION OPTIONS

GEZE TS 5000 / ELine / S / E / R / EFS / RFS

Door leaf installation hinge side

TS 5000 Door leaf installation/hinge side



Area of application

- Closing force 2-6 according to EN 1154, leaf width up to 1400 mm
- Can be used for right and left hung doors without conversion
- For fire protection doors
- GEZE TS 5000 EFS/RFS for leaf widths up to 1400 mm with closing force 3-6 according to EN 1154
- An interruption button is mandatory for free swing door closers in Germany.

Order information

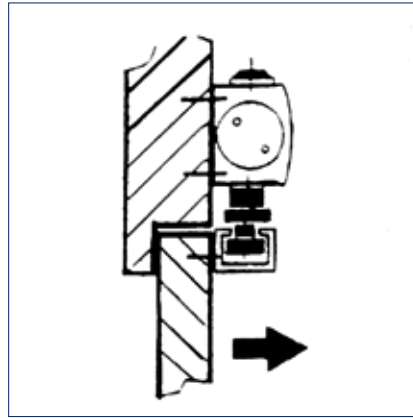
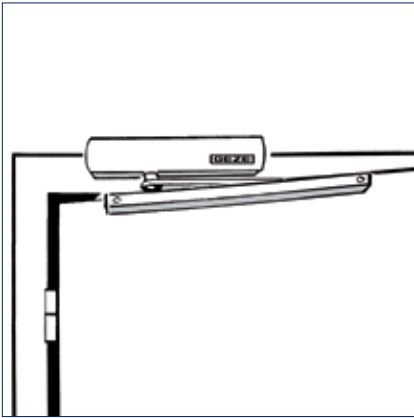
Description	Version	ID no.
GEZE TS 5000 S Closer Size EN 2-6, with delayed closing action and back check (without guide rail and lever)	silver	107935
GEZE TS 5000 Closer Size EN 2-6, with back check (without guide rail and lever)	silver	027333
GEZE TS 5000 ELine closer Size EN 3-5, with back check (without guide rail and lever)	silver	143640
GEZE TS 5000 EFS complete package for leaf installation Size EN 3-6, door leaf installation on the hinge side, with electric free swing function, with guide rail and lever with comfort hold-open function	silver	155477
GEZE TS 5000 RFS complete package for door leaf installation Size EN 3-6, transom installation on the hinge side, with electric free swing function, integrated smoke switch control unit, guide rail and lever with comfort hold-open function	silver	155481
Guide rail TS 5000/TS 3000 Standard, with lever	silver	068221
ELine guide rail TS 5000 for use with TS 5000 ELine closer, with integrated opening assistance for easy opening, with lever	silver	143572
E guide rail TS 5000 with electric hold-open device and lever	silver	116295
R guide rail TS 5000 with electric hold-open device, integrated smoke switch control unit and lever	silver	116300
Accessories		
GEZE mechanical hold-open device for Standard / T-Stop / Boxer 20.7 mm guide rail, adjustable retention force, can be switched on and off, can be overridden		071924
Guide rail mounting plate for standard / ELine / T-Stop / EFS guide rail	silver	001512
Guide rail mounting plate for E guide rail	silver	123294
Guide rail mounting plate for R / RFS guide rail	silver	123296
Mounting plate door closer for TS 5000/TS 4000 with hole pattern in accordance with DIN EN 1154 Supplement 1	silver	049185
Mounting plate door closer for TS 5000 EFS/RFS/E-HY/TS 4000 E with hole pattern in accordance with DIN EN 1154 Supplement 1	silver	059107
GEZE interruption button flush-mounted version for the manual release of electrically controlled hold-open mechanisms	alpine white	116266

Note: See our system catalogues for further accessories and colour variants.

GEZE TS 5000 EFS / RFS

Transom installation hinge side

TS 5000 Transom installation/hinge side



Area of application

- Closing force 3-6 according to EN 1154, leaf width up to 1400 mm
- Can be used for right and left hung doors without conversion
- For fire protection doors
- An interruption button is mandatory for free swing door closers in Germany.

Order information

Description	Version	ID no.
GEZE TS 5000 EFS complete package for transom installation Size EN 3-6, transom installation on the hinge side, with electric free swing function, with guide rail and lever with comfort hold-open function	silver	155479
GEZE TS 5000 RFS complete package for transom installation Size EN 3-6, transom installation on the hinge side, with electric free swing function, integrated smoke switch control unit, guide rail and lever with comfort hold-open function	silver	155484
Accessories		
Guide rail mounting plate for Standard / Ecline / T-Stop / EFS guide rail	silver	001512
Mounting plate door closer for TS 5000 EFS/RFS/E-HY/TS 4000 E with hole pattern in accordance with DIN EN 1154 Supplement 1	silver	059107
GEZE interruption button flush-mounted version for the manual release of electrically controlled hold-open mechanisms	alpine white	116266

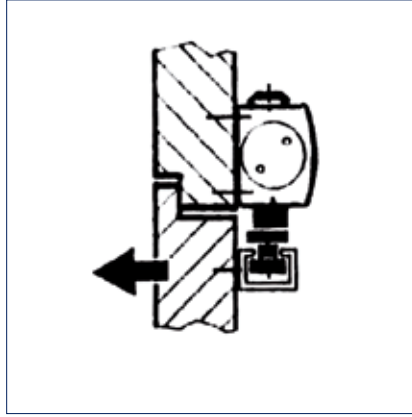
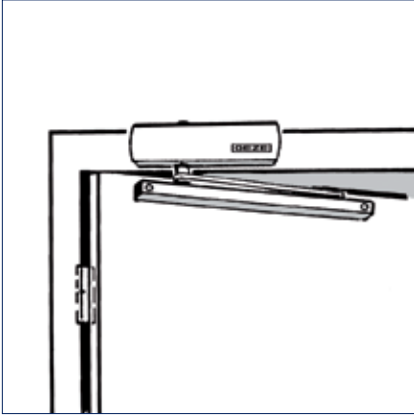
Note: See our system catalogues for further accessories and colour variants.

GEZE INSTALLATION OPTIONS

GEZE TS 5000 / Ecline / S

Transom installation opposite hinge side

TS 5000 Transom installation/opposite hinge side



Area of application

- Closing force 2-6 according to EN 1154, leaf width up to 1400 mm
- Can be used for right and left hung doors without conversion
- For fire protection doors with respective suitability certificate
- Delayed closing action range TS 5000 S depending on the door design

Order information

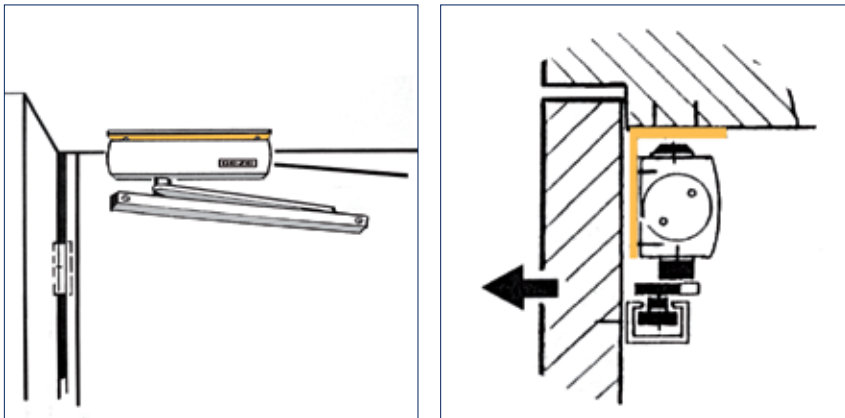
Description	Version	ID no.
GEZE TS 5000 S closer Size EN 2-6, with delayed closing action and back check (without guide rail and lever)	silver	107935
GEZE TS 5000 closer Size EN 2-6, with back check (without guide rail and lever)	silver	027333
GEZE TS 5000 Ecline closer Size EN 3-5, with back check (without guide rail and lever)	silver	143640
Guide rail TS 5000/TS 3000 Standard, with lever	silver	068221
Guide rail TS 5000/3000, riveted fixed riveted slider, with lever	silver	069650
Ecline guide rail TS 5000 for use with TS 5000 Ecline closer, with integrated opening assistance for easy opening, with lever	silver	143572
Accessories		
GEZE mechanical hold-open device for Standard / T-Stop / Boxer 20.7 mm guide rail, adjustable retention force, can be switched on and off, can be overridden		071924
Flexible opening restrictor for lightweight doors for riveted guide rail, standard guide rail BG and Boxer 20.7 mm guide rail		069780
Guide rail mounting plate for standard / Ecline / T-Stop / EFS guide rail	silver	001512
Mounting plate door closer for TS 5000/TS 4000 with hole pattern in accordance with DIN EN 1154 Supplement 1	silver	049185

Note: See our system catalogues for further accessories and colour variants.

GEZE TS 5000 / Ecline / S

Transom installation opposite hinge side with lintel casing bracket

TS 5000 Transom installation/opposite hinge side lintel casing bracket



Area of application

- Closing force 2-6 according to EN 1154, leaf width up to 1400 mm
- Can be used for right and left hung doors without conversion
- Note for rescue routes, restriction of passage height by approx. 100 mm
- For fire protection doors with respective suitability certificate
- Delayed closing action range TS 5000 S depending on the door design

Order information

Description	Version	ID no.
GEZE TS 5000 S closer Size EN 2-6, with delayed closing action and back check (without guide rail and lever)	silver	107935
GEZE TS 5000 closer Size EN 2-6, with back check (without guide rail and lever)	silver	027333
GEZE TS 5000 Ecline closer Size EN 3-5, with back check (without guide rail and lever)	silver	143640
Guide rail TS 5000/TS 3000 Standard, with lever	silver	068221
Guide rail TS 5000/3000, riveted fixed riveted slider, with lever	silver	069650
Ecline guide rail TS 5000 for use with TS 5000 Ecline closer, with integrated opening assistance for easy opening, with lever	silver	143572
Accessories		
GEZE mechanical hold-open device for Standard / T-Stop / Boxer 20.7 mm guide rail, adjustable retention force, can be switched on and off, can be overridden		071924
Flexible opening restrictor for lightweight doors for riveted guide rail, standard guide rail BG, standard guide rail and Boxer 20.7 mm guide rail		069780
Guide rail mounting plate for Standard / Ecline / T-Stop / EFS guide rail	silver	001512
Lintel casing bracket transom installation BG for TS 5000/TS 4000	silver	049240

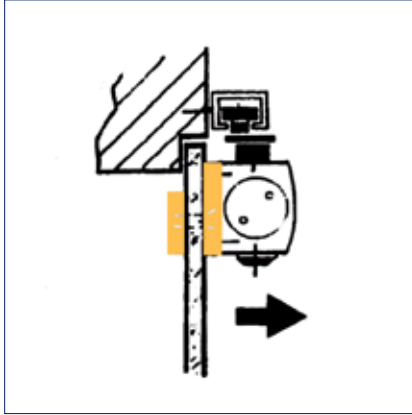
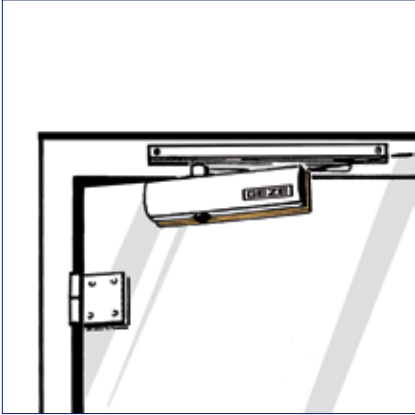
Note: See our system catalogues for further accessories and colour variants.

GEZE INSTALLATION OPTIONS

GEZE TS 5000 / Ecline / S / E

Door leaf installation hinge side with mounting and counterplate for all-glass door

TS 5000 Door leaf installation/hinge side counterplate glass



Area of application

- Closing force 2-6 according to EN 1154, leaf width up to 1400 mm
- Can be used for right and left hung doors without conversion
- Mounting and counterplate, glass thickness 10 / 12 mm
- See the corresponding installation/assembly drawing for the preparation dimensions

Order information

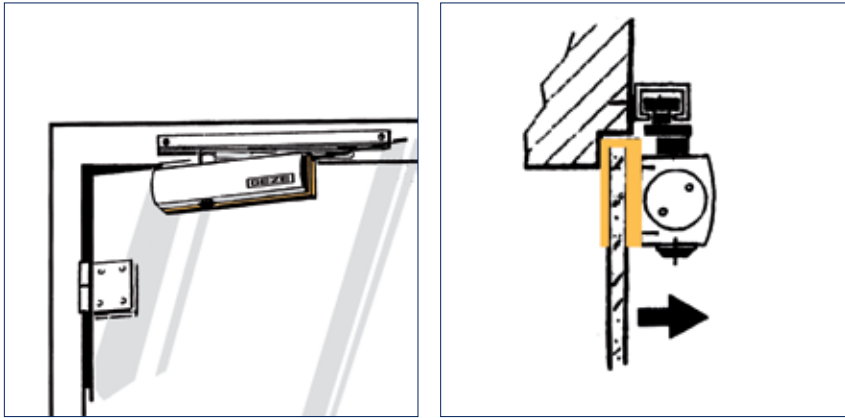
Description	Version	ID no.
GEZE TS 5000 S closer Size EN 2-6, with delayed closing action and back check (without guide rail and lever)	silver	107935
GEZE TS 5000 closer Size EN 2-6, with back check (without guide rail and lever)	silver	027333
GEZE TS 5000 Ecline closer Size EN 3-5, with back check (without guide rail and lever)	silver	143640
Guide rail TS 5000/TS 3000 Standard, with lever	silver	068221
Ecline guide rail TS 5000 for use with TS 5000 Ecline closer, with integrated opening assistance for easy opening, with lever	silver	143572
E guide rail TS 5000 with electric hold-open device and lever	silver	116295
Accessories		
Mounting and counterplate for all-glass door for TS 5000/TS 4000	silver	007923
Mechanical hold-open device for Standard / T-Stop / Boxer 20.7 mm guide rail, adjustable retention force, can be switched on and off, can be overridden		071924
Guide rail mounting plate for Standard / Ecline / T-Stop / EFS guide rail	silver	001512
Guide rail mounting plate for E guide rail	silver	123294

Note: See our system catalogues for further accessories and colour variants.

GEZE TS 5000 / Ecline / S / E

Door leaf installation hinge side with clamping shoe for all-glass door

TS 5000 Door leaf installation/hinge side clamping shoe glass



Area of application

- Closing force 2-6 according to EN 1154, leaf width up to 1400 mm
- Can be used for right and left hung doors without conversion
- Clamping shoe, glass thickness 8-10 mm

Order information

Description	Version	ID no.
GEZE TS 5000 S closer Size EN 2-6, with delayed closing action and back check (without guide rail and lever)	silver	107935
GEZE TS 5000 closer Size EN 2-6, with back check (without guide rail and lever)	silver	027333
GEZE TS 5000 Ecline closer Size EN 3-5, with back check (without guide rail and lever)	silver	143640
Guide rail TS 5000/TS 3000 Standard, with lever	silver	068221
Ecline guide rail TS 5000 for use with TS 5000 Ecline closer, with integrated opening assistance for easy opening, with lever	silver	143572
E guide rail TS 5000 with electric hold-open device and lever	silver	116295
Accessories		
Glass clamping shoe door closer for TS 5000/TS 4000	silver	057126
GEZE mechanical hold-open device for Standard / T-Stop / Boxer 20.7 mm guide rail, adjustable retention force, can be switched on and off, can be overridden		071924
Guide rail mounting plate for Standard / Ecline / T-Stop / EFS guide rail	silver	001512
Guide rail mounting plate for E guide rail	silver	123294

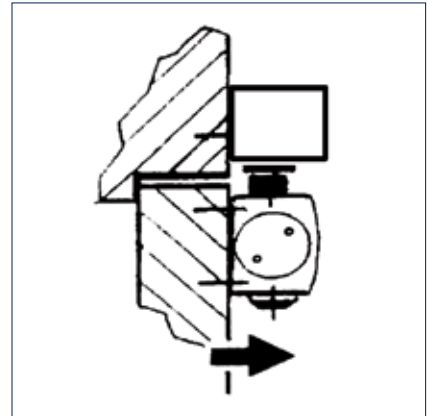
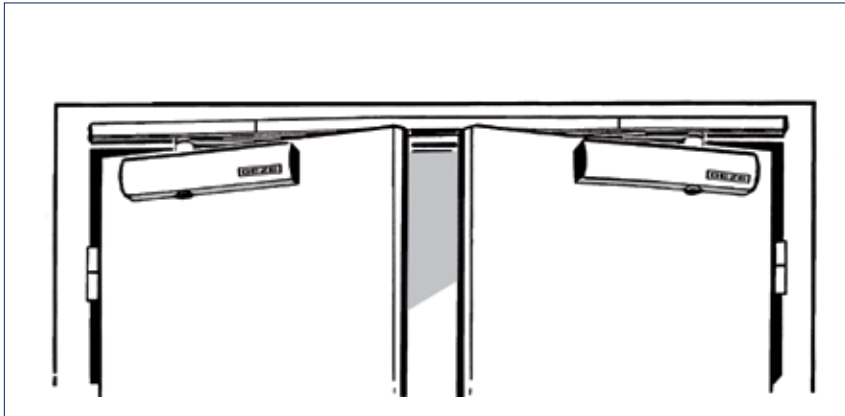
Note: See our system catalogues for further accessories and colour variants.

GEZE INSTALLATION OPTIONS

GEZE TS 5000 ISM / E-ISM / R-ISM / Free swing optional

Door leaf installation hinge side, double-leaf

TS 5000 Door leaf installation/hinge side, double-leaf



Area of application

- Closing force 2-6 according to EN 1154, leaf width up to 1400 mm
- Can be used for right and left hung doors without conversion
- For fire protection doors
- An interruption button is mandatory for free swing door closers in Germany.
- Different variants possible for hold-open combinations on active leaf and passive leaf or free swing function on active leaf (EN3-6)

Order information

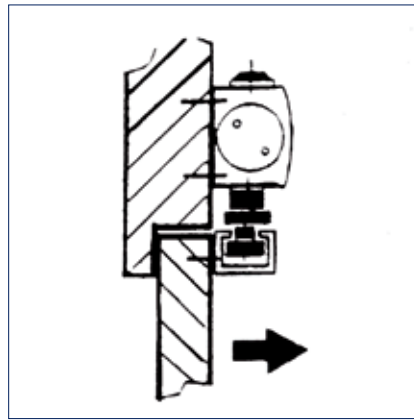
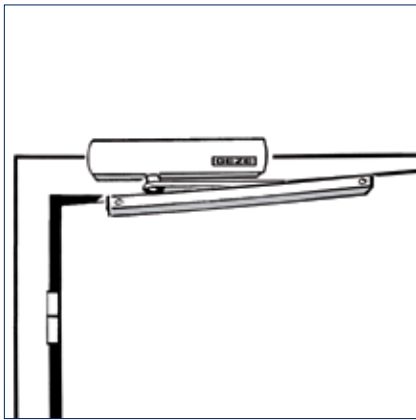
Description	Version	ID no.
GEZE TS 5000 closer Size EN 2-6, with back check (without guide rail and lever)	silver	027333
GEZE TS 5000 EHy closer Size EN 2-5, door leaf installation on the hinge side, with electric hold-open device for free swing function (without guide rail and lever)	silver	155475
TS 5000 ISM guide rail continuous, with integrated closing sequence control and levers	silver	115549
E-ISM guide rail TS 5000 continuous, with integrated closing sequence control, electric hold-open device on both sides and levers	silver	115600
E-ISM/G guide rail TS 5000 continuous, with integrated closing sequence control, electric hold-open device on the active leaf and levers	silver	115605
E-ISM/S guide rail TS 5000 continuous, with integrated closing sequence control, electric hold-open device on the passive leaf and levers	silver	160547
R-ISM guide rail TS 5000 continuous, with integrated closing sequence control, electric hold-open device on both sides, smoke switch control unit and levers	silver	115614
R-ISM/G guide rail TS 5000 continuous, with integrated closing sequence control, electric hold-open device on the active leaf, smoke switch control unit and levers	silver	115619
R-ISM/O guide rail TS 5000 continuous, with integrated closing sequence control, smoke switch control unit and levers, without electric hold-open device	silver	160543
R-ISM/S guide rail TS 5000 continuous, with integrated closing sequence control, electric hold-open device on the passive leaf, smoke switch control unit and levers	silver	160545
Accessories		
GEZE mechanical hold-open device for ISM guide rail, retention force adjustable, can be overridden		118437
Guide rail mounting plate for ISM / E-ISM guide rail	silver	118702
Guide rail mounting plate for R-ISM guide rail	silver	118690
Mounting plate door closer for TS 5000/TS 4000 with hole pattern in accordance with DIN EN 1154 Supplement 1	silver	049185
Mounting plate door closer for TS 5000 EFS/RFS/E-HY/TS 4000 E with hole pattern in accordance with DIN EN 1154 Supplement 1	silver	059107
GEZE interruption button flush-mounted version for the manual release of electrically controlled hold-open mechanisms	alpine white	116266
GEZE door hold-open magnet, 24 V DC - 490 N retention force, approved for use with all GEZE smoke switch control units. Wall installation surface-mounted or floor mounting with accessories base		155569
GEZE magnetic counter plate for GEZE hold-open magnets. Version with adjustable joint		115956

Note: See our system catalogues for further accessories and colour variants.

GEZE TS 5000 L / Ecline L

Transom installation hinge side

TS 5000 L Transom installation/hinge side



Area of application

- Closing force 2-6 according to EN 1154, leaf width up to 1400 mm
- Can be used for right and left hung doors without conversion
- For fire protection doors with respective suitability certificate

Order information

Description	Version	ID no.
GEZE TS 5000 L closer Size EN 2-6, with back check (without guide rail and lever)	silver	027351
GEZE TS 5000 L Ecline closer Size EN 3-5, with back check (without guide rail and lever)	silver	143648
Guide rail TS 5000/TS 3000 Standard, with lever	silver	068221
Ecline guide rail TS 5000 for use with TS 5000 Ecline closer, with integrated opening assistance for easy opening, with lever	silver	143572
Accessories		
GEZE mechanical hold-open device for Standard / T-Stop / Boxer 20.7 mm guide rail, adjustable retention force, can be switched on and off, can be overridden		071924
Guide rail mounting plate for standard / Ecline / T-Stop / EFS guide rail	silver	001512
Mounting plate door closer for TS 5000/TS 4000 with hole pattern in accordance with DIN EN 1154 Supplement 1	silver	049185

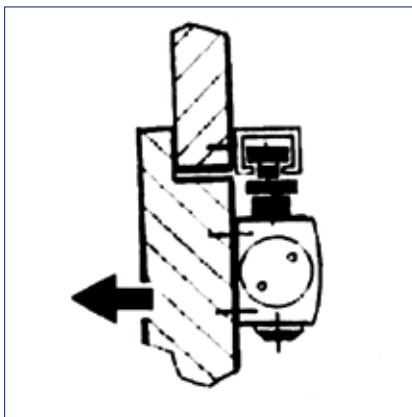
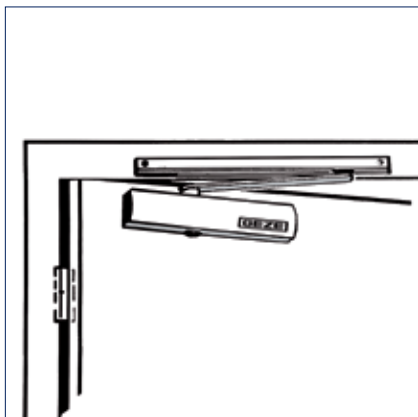
Note: See our system catalogues for further accessories and colour variants.

GEZE INSTALLATION OPTIONS

GEZE TS 5000 L / Ecline L / L-E / L-R

Door leaf installation opposite hinge side

TS 5000 L Door leaf installation/opposite hinge side



Area of application

- Closing force 2-6 according to EN 1154, leaf width up to 1400 mm
- Can be used for right and left hung doors without conversion
- For fireproof doors (door closer with mounting plate)

Order information

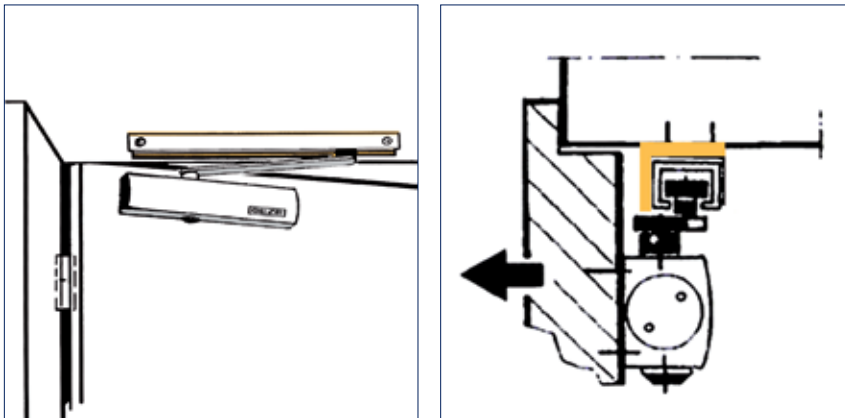
Description	Version	ID no.
GEZE TS 5000 L closer Size EN 2-6, with back check (without guide rail and lever)	silver	027351
GEZE TS 5000 L Ecline closer Size EN 3-5, with back check (without guide rail and lever)	silver	143648
Guide rail BG TS 5000/TS 3000 Standard, with lever, use with closer on leaf installation on the opposite hinge side	silver	025655
Ecline guide rail TS 5000 BG for use with TS 5000 L Ecline closer for door leaf installation opposite hinge side, with integrated opening assistance for easy opening, with lever	silver	143578
E guide rail BG TS 5000 with electric hold-open device and lever	silver	120039
R guide rail BG TS 5000 with electric hold-open device, integrated smoke switch control unit and lever	silver	120073
Accessories		
GEZE mechanical hold-open device for Standard / T-Stop / Boxer 20.7 mm guide rail, adjustable retention force, can be switched on and off, can be overridden		071924
Mounting plate guide rail BG for E guide rail	silver	123289
Mounting plate guide rail BG for R guide rail	silver	123311
Mounting plate guide rail BG for Standard / Ecline / T-Stop / EFS guide rail	silver	124683
Mounting plate door closer for TS 5000/TS 4000 with hole pattern in accordance with DIN EN 1154 Supplement 1	silver	049185

Note: See our system catalogues for further accessories and colour variants.

GEZE TS 5000 L / Ecline L / L-E / L-R

Door leaf installation opposite hinge side with lintel casing bracket

TS 5000 L Transom installation / opposite hinge side with lintel casing bracket



Area of application

- Closing force 2-6 according to EN 1154, leaf width up to 1400 mm
- Can be used for right and left hung doors without conversion
- For fire protection doors (door closer with mounting plate)
- Note for rescue routes, restriction of passage height by approx. 40 mm

Order information

Description	Version	ID no.
GEZE TS 5000 L closer Size EN 2-6, with opening damping (without guide rail and lever)	silver	027351
GEZE TS 5000 L Ecline closer Size EN 3-5, with back check (without guide rail and lever)	silver	143648
Guide rail BG TS 5000/TS 3000 Standard, with lever, use with closer on leaf installation on the opposite hinge side	silver	025655
Ecline guide rail TS 5000 BG for use with TS 5000 L Ecline closer for door leaf installation opposite hinge side, with integrated opening assistance for easy opening, with lever	silver	143578
E guide rail BG TS 5000 with electric hold-open device and lever	silver	120039
R guide rail BG TS 5000 with electric hold-open device, integrated smoke switch control unit and lever	silver	120073
Accessories		
GEZE mechanical hold-open device for Standard / T-Stop / Boxer 20.7 mm guide rail, adjustable retention force, can be switched on and off, can be overridden		071924
Mounting plate door closer for TS 5000/TS 4000 with hole pattern in accordance with DIN EN 1154 Supplement 1	silver	049185
Lintel casing bracket guide rail BG for Ecline and T-Stop guide rail	silver	115006
Lintel casing bracket guide rail BG for standard guide rail	silver	025657
Lintel casing bracket guide rail BG for E guide rail	silver	123322
Lintel casing bracket guide rail BG for R guide rail	silver	123324

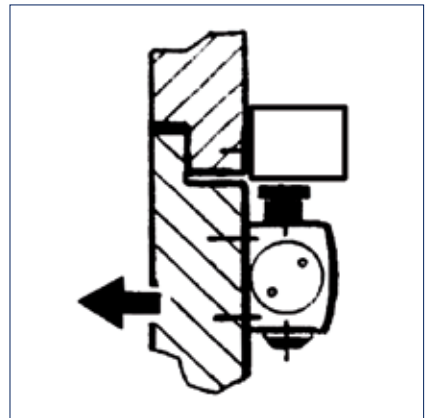
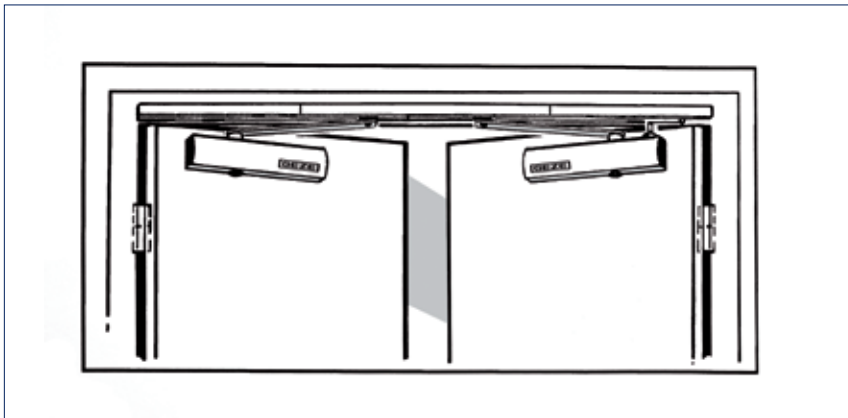
Note: See our system catalogues for further accessories and colour variants.

GEZE INSTALLATION OPTIONS

GEZE TS 5000 L-ISM / L-E-ISM / L-R-ISM / L-ISM VPK / L-E-ISM VPK / L-R-ISM VP

Door leaf installation opposite hinge side, double-leaf

TS 5000 L Door leaf installation/opposite hinge side



Area of application

- Closing force 2-6 according to EN 1154, leaf width up to 1400 mm
- Can be used for right and left hung doors without conversion
- For fireproof doors (door closer with mounting plate)

Order information

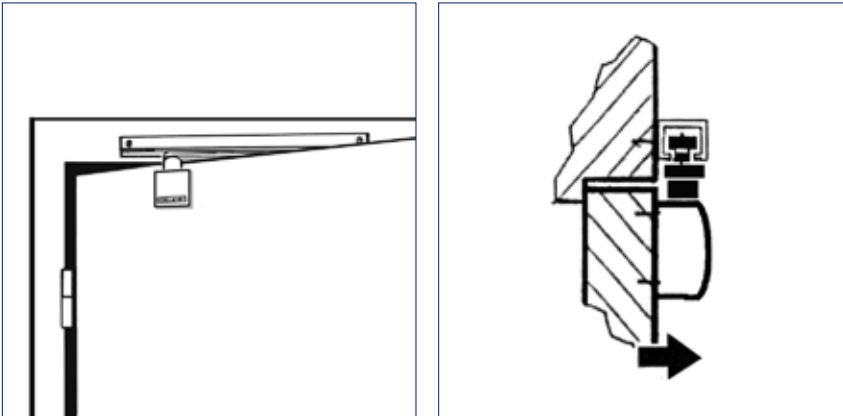
Description	Version	ID no.
GEZE TS 5000 L closer Size EN 2-6, with back check (without guide rail and lever)	silver	027351
ISM guide rail BG TS 5000 continuous, with integrated closing sequence control and levers	silver	115594
ISM guide rail BG VPK TS 5000 complete package System solution for general use on full panic doors comprising 1 x TS 5000 L, 1 x TS 5000 L-IS, 1 x ISM BG guide rail, continuous, with integrated release mechanism and levers	silver	133093
E-ISM guide rail BG TS 5000 continuous, with integrated closing sequence control, electric hold-open device and levers on both sides	silver	115608
E-ISM guide rail BG VPK TS 5000 complete package System solution for general use on full panic doors comprising 1 x TS 5000 L, 1 x TS 5000 L-IS, 1 x E-ISM BG guide rail with electric hold-open device on both sides, continuous, with integrated release mechanism and levers	silver	146455
R-ISM guide rail BG TS 5000 continuous, with integrated closing sequence control, electric hold-open device on both sides, smoke switch control unit and levers	silver	115622
R-ISM guide rail BG VP TS 5000 continuous, with integrated closing sequence control, electric hold-open device on both sides and levers, smoke switch control unit and levers, especially for full panic doors. Note: maximum X dimension (centre of hinge contact area of guide rail) 100 mm including mounting plate	silver	133711
Accessories		
Mounting plate guide rail BG for ISM / E-ISM / R-ISM guide rail BG & VP versions	silver	118704
Mounting plate guide rail BG for ISM-/ E-ISM BG VPK guide rail	silver	139757
Mounting plate door closer for TS 5000/TS 4000 with hole pattern in accordance with DIN EN 1154 Supplement 1	silver	049185
Lintel casing bracket guide rail BG for ISM / E-ISM / R-ISM guide rail BG	silver	118706
Lintel casing bracket guide rail BG for ISM / E-ISM / R-ISM guide rail VP	silver	134816
Lintel casing bracket guide rail BG for ISM-/ E-ISM BG VPK guide rail	silver	139710

Note: See our system catalogues for further accessories and colour variants.

GEZE T-Stop guide rail with pivot bearing

Door leaf installation hinge side

T-Stop guide rail pivot bearing door leaf installation / hinge side



Area of application

- Opening restrictor for single-action doors without door closers
- Can be used for right and left hung doors without conversion

Order information

Description	Version	ID.No.
Pivot bearing for T-Stop guide rail supported	silver	112688
T-Stop guide rail TS 5000/TS 3000 with integrated opening restrictor and lever	silver	102363
Accessories		
Mechanical hold-open unit for Standard / T-Stop / Boxer 20.7 mm guide rail, adjustable holding force, can be switched on and off, can be overridden		071924
Guide rail mounting plate for Standard / ECLine / T-Stop / EFS guide rail	silver	001512

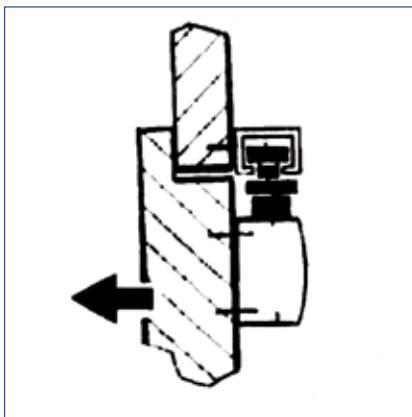
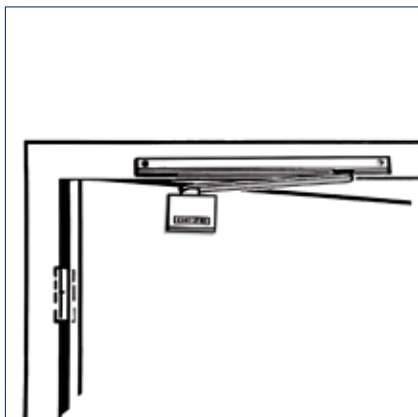
Note: See our system catalogues for further accessories and colour variants.

GEZE INSTALLATION OPTIONS

GEZE T-Stop guide rail with pivot bearing

Door leaf installation opposite hinge side

T-Stop guide rail pivot bearing door leaf installation/opposite hinge side



Area of application

- Opening restrictor for single-action doors without door closers
- Can be used for right and left hung doors without conversion
- Installation with lintel casing bracket possible

Order information

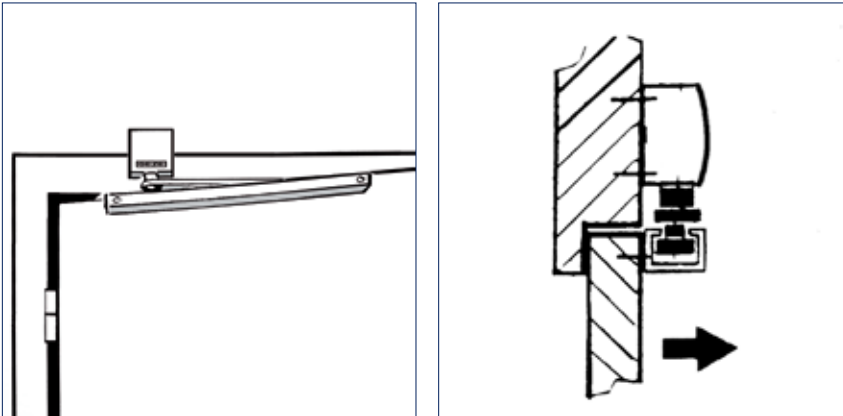
Description	Version	ID.No.
Pivot bearing for T-Stop guide rail supported	silver	112688
T-Stop guide rail BG TS 5000/TS 3000 with integrated opening restrictor and lever, use with closer on leaf installation on the opposite hinge side or with pivot bearing in leaf and transom installation opposite hinge side	silver	102366
Accessories		
Mechanical hold-open unit for Standard / T-Stop / Boxer 20.7 mm guide rail, adjustable holding force, can be switched on and off, can be overridden		071924
Mounting plate guide rail BG for Standard / ECLine / T-Stop / EFS guide rail	silver	124683
Lintel casing bracket guide rail BG for ECLine and T-Stop guide rail	silver	115006

Note: See our system catalogues for further accessories and colour variants.

GEZE T-Stop guide rail with pivot bearing

Transom installation hinge side

T-Stop guide rail pivot bearing transom installation/hinge side



Area of application

- Opening restrictor for single-action doors without door closers
- Can be used for right and left hung doors without conversion

Order information

Description	Version	ID.No.
Pivot bearing for T-Stop guide rail supported	silver	112688
T-Stop guide rail TS 5000/TS 3000 with integrated opening restrictor and lever	silver	102363
Accessories		
Mechanical hold-open unit for Standard / T-Stop / Boxer 20.7 mm guide rail, adjustable holding force, can be switched on and off, can be overridden		071924
Guide rail mounting plate for Standard / ECLine / T-Stop / EFS guide rail	silver	001512

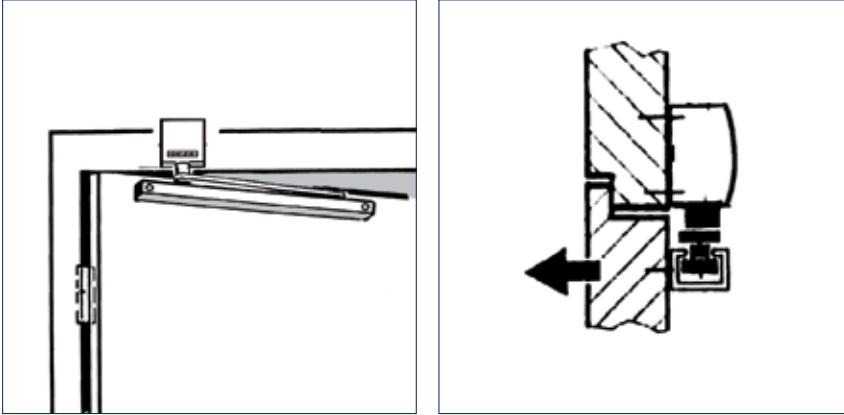
Note: See our system catalogues for further accessories and colour variants.

GEZE INSTALLATION OPTIONS

GEZE T-Stop guide rail with pivot bearing

Transom installation opposite hinge side

T-Stop guide rail pivot bearing transom installation/opposite hinge side



Area of application

- Opening restrictor for single-action doors without door closers
- Can be used for right and left hung doors without conversion

Order information

Description	Version	ID no.
Pivot bearing for T-Stop guide rail fitting from top	silver	112688
T-Stop guide rail BG TS 5000/TS 3000 with integrated opening restrictor and lever, use with closer on leaf installation on the opposite hinge side or with pivot bearing in leaf and transom installation opposite hinge side	silver	102366
Accessories		
GEZE mechanical hold-open device for Standard / T-Stop / Boxer 20.7 mm guide rail, adjustable retention force, can be switched on and off, can be overridden		071924
Mounting plate guide rail BG for Standard / ECLine / T-Stop / EFS guide rail	silver	124683

Note: See our system catalogues for further accessories and colour variants.

References



Vocational school, Friedrichshafen, Germany (Photo: Dirk Wilhelmy)



Mövenpick Hotel, Stuttgart Airport, Germany (Photo: Nikolas Grünwald)

POTENTIAL APPLICATIONS OF GEZE PRODUCTS

You will find more product information in the relevant brochures, see ID numbers.

Door technology	
01	Overhead door closers ID 091593, ID 091594
02	Hold-open systems ID 091593, ID 091594
03	Integrated door closers ID 091609
04	Floor springs and all-glass fittings ID 091607
05	Sliding fitting systems and linear guides ID 123605, ID 000586
Automatic door systems	
06	Swing doors ID 144785
07	Sliding, telescopic and folding doors ID 143639
08	Curved sliding doors ID 135772
09	Revolving doors ID 132050
10	Actuation devices and sensors ID 142655
Smoke and heat extraction and window technology	
11	Fanlight opening systems ID 127787
12	Electric opening and locking systems ID 127785, ID 127789
13	Electrical spindle and linear drives ID 127785, ID 127789
14	Electric chain drives ID 127785, ID 127789
15	Smoke and heat extraction systems ID 127785, ID 139075
Safety technology	
16	Emergency exit systems ID 132408
17	Access control systems ID 132158
18	Panic locks ID 132848
19	Electric strikes ID 148666
20	Building management system ID 132408
Glass systems	
21	Manual sliding wall systems (MSW) ID 104377
22	Integrated all-glass systems (IGG) ID 104366



POTENTIAL APPLICATIONS OF GEZE PRODUCTS



Door technology

The functionality, superior performance and reliability of GEZE door closers are impressive. A common design across the range, the ability to use them on all common door leaf widths and weights, and the fact that they can be individually adjusted makes their selection simple. They are continually being improved and enhanced with up-to-date features. For example, the requirements of fire protection and accessibility are fulfilled with a door closer system.

Automatic door systems

GEZE automatic door systems open up a huge variety of options in door design. The latest, innovative high-performance drive technology, safety, ease of accessibility and first class universal drive design set them apart. GEZE offers complete solutions for individual requirements. A dedicated division is responsible for the development and construction of individual special designs.

Smoke and heat extraction and window technology

GEZE smoke and heat extraction systems and ventilation technology provide complete systems solutions combining the many requirements of different types of windows. We supply a full range from energy efficient drive systems to natural ventilation and complete solutions for supplying and extracting air, also as certified SHEVs.

Safety technology

GEZE safety technology sets the standards where preventative fire protection, access control and anti-theft security in emergency exits are concerned. For each of these objectives GEZE offers tailored solutions, which combine the individual safety requirements in one intelligent system and close doors and windows in case of danger in a coordinated manner.

Building systems

In GEZE's Building Management System GEZE door, window and safety products can be integrated in to the security and control systems of the building. A central control and visualisation system monitors various automation components in the building and offers security through many different networking capabilities.

Glass systems

GEZE glass systems stand for open and transparent interior design. They can either blend discreetly into the architecture of the building or stand out as an accentuated feature. GEZE offers a wide variety of technologies for functional, reliable and aesthetic sliding wall or sliding door systems providing security with lots of design scope.

GEZE GmbH
P.O. Box 1363
71226 Leonberg
Germany

GEZE GmbH
Reinhold-Vöster-Straße 21-29
71229 Leonberg
Germany
Telefon +49 7152 203 0
Telefax +49 7152 203 310
www.geze.com

Germany
 GEZE GmbH
 Niederlassung Süd-West
 Breitwiesenstraße 8
 71229 Leonberg
 Tel. +49 7152 203 594
 Fax +49 7152 203 438
 leonberg.de@geze.com

GEZE GmbH
 Niederlassung Süd-Ost
 Parking 17
 85748 Garching bei München
 Tel. +49 7152 203 6440
 Fax +49 7152 203 77050
 muenchen.de@geze.com

GEZE GmbH
 Niederlassung Ost
 Bühringstraße 8
 13086 Berlin (Weißensee)
 Tel. +49 7152 203 6840
 Fax +49 7152 203 76849
 berlin.de@geze.com

GEZE GmbH
 Niederlassung Mitte/Luxemburg
 Adenauerallee 2
 61440 Oberursel (b. Frankfurt)
 Tel. +49 7152 203 6888
 Fax +49 7152 203 6891
 frankfurt.de@geze.com

GEZE GmbH
 Niederlassung West
 Heltorfer Straße 12
 40472 Düsseldorf
 Tel. +49 7152 203 6770
 Fax +49 7152 203 76770
 duesseldorf.de@geze.com

GEZE GmbH
 Niederlassung Nord
 Haus 11, 1. OG - Theodorstr. 42-90
 22761 Hamburg-Bahrenfeld
 Tel. +49 7152 203 6600
 Fax +49 7152 203 76608
 hamburg.de@geze.com

GEZE Service GmbH
 Niederlassung Süd-West
 Reinhold-Vöster-Straße 25
 71229 Leonberg
 Tel. +49 1802 923392
 Fax +49 7152 9233 359
 service-leonberg.de@geze.com

GEZE Service GmbH
 Niederlassung Süd
 Parking 17
 85748 Garching bei München
 Tel. +49 1802 923392
 Fax +49 7152 9233 859
 service-muenchen.de@geze.com

GEZE Service GmbH
 Niederlassung Mitte
 Oberurseler Str. 69
 61440 Oberursel
 Tel. +49 1802 923392
 Fax +49 7152 9233 659
 service-oberursel.de@geze.com

GEZE Service GmbH
 Niederlassung West
 Heltorfer Straße 12
 40472 Düsseldorf
 Tel. +49 1802 923392
 Fax +49 7152 9233 559
 service-duesseldorf.de@geze.com

GEZE Service GmbH
 Niederlassung Nord-Ost
 Bühringstraße 8
 13086 Berlin (Weißensee)
 Tel. +49 1802 923392
 Fax +49 7152 9233 759
 service-berlin.de@geze.com

GEZE Service GmbH
 Niederlassung Nord
 Theodorstr. 42-90, Haus 11
 22761 Hamburg
 Tel. +49 1802 923392
 Fax +49 7152 9233 459
 service-hamburg.de@geze.com

Austria
 GEZE Austria
 Wiener Bundesstrasse 85
 A-5300 Hallwang
 Tel: +43 6225 87180
 Fax: +43 6225 87180 299
 austria.at@geze.com

Baltic States
 GEZE GmbH Baltic States office
 Dzelzavas iela 120 S
 1021 Riga
 Tel. +371 678960 35
 Fax +371 678960 36
 office-latvia@geze.com

Benelux
 GEZE Benelux B.V.
 Industrierrein Kapelbeemd
 Steenoven 36
 5626 DK Eindhoven
 Tel. +31 4026290 80
 Fax +31 4026290 85
 benelux.nl@geze.com

Bulgaria
 GEZE Bulgaria - Trade
 Representative Office
 Nickolay Haitov 34 str., fl. 1
 1172 Sofia
 Tel. +359 247043 73
 Fax +359 247062 62
 office-bulgaria@geze.com

China
 GEZE Industries (Tianjin) Co., Ltd.
 Shuangchenzhong Road
 Beichen Economic Development
 Area (BEDA)
 Tianjin 300400, P.R. China
 Tel. +86 22 26973995
 Fax +86 22 26972702
 chinasales@geze.com.cn

GEZE Industries (Tianjin) Co., Ltd.
 Branch Office Shanghai
 Jia Little Exhibition Center
 Room C 2-102
 Shenzhuan Rd. 6000
 201619 Shanghai, P.R. China
 Tel. +86 21 52340960
 Fax +86 21 64472007
 chinasales@geze.com.cn

GEZE Industries (Tianjin) Co., Ltd.
 Branch Office Guangzhou
 Room 17 C 3
 Everbright Bank Building, No.689
 Tian He Bei Road
 510630 Guangzhou, P.R. China
 Tel. +86 20 38731842
 Fax +86 20 38731834
 chinasales@geze.com.cn

GEZE Industries (Tianjin) Co., Ltd
 Branch Office Beijing
 Room 1001, Tower D
 Sanlitun SOHO
 No. 8, Gongti North Road,
 Chaoyang District
 100027 Beijing, P.R.China
 Tel. +86 10 59359300
 Fax +86 10 59359322
 chinasales@geze.com.cn

France
 GEZE France S.A.R.L.
 ZAC de l'Orme Rond
 RN 19
 77170 Servon
 Tel. +33 1 606260 70
 Fax +33 1 606260 71
 france.fr@geze.com

Hungary
 GEZE Hungary Kft.
 Hungary-2051 Biatorbágy
 Vendel Park
 Huber u. 1.
 Tel. +36 23532 735
 Fax +36 23532 738
 office-hungary@geze.com

Iberia
 GEZE Iberia S.R.L.
 C/ Andorra 24
 08830 Sant Boi de Llobregat
 (Barcelona)
 Tel. +34 902194 036
 Fax +34 902194 035
 info@geze.es

India
 GEZE India Private Ltd.
 MF 2 & 3, Guindy Industrial Estate
 Ekkattuthangal
 Chennai 600 097
 Tamilnadu
 Tel. +91 44 406169 00
 Fax +91 44 406169 01
 office-india@geze.com

Italy
 GEZE Italia S.r.l
 Sede di Milano
 Via Giotto 4
 20040 Cambiago (MI)
 Tel. +39 0295069 511
 Fax +39 0295069 533
 italia.it@geze.com

Sede di Roma
 Via Lucrezia Romana, 91
 00178 Roma
 Tel. +39 06 726531 1
 Fax +39 06 726531 36
 roma@geze.biz

Poland
 GEZE Polska Sp.z o.o.
 ul. Annopol 21
 03-236 Warszawa
 Tel. +48 224 404 440
 Fax +48 224 404 400
 geze.pl@geze.com

Romania
 GEZE Romania S.R.L.
 IRIDE Business Park,
 Str. Dimitrie Pompeiu nr. 9-9a,
 Building 10, Level 2, Sector 2,
 020335 Bucharest
 Tel.: +40 212507 750
 Fax: +40 316201 258
 office-romania@geze.com

Russia
 OOO GEZE RUS
 Gamsonovskiy Per. 2
 115191 Moskau
 Tel. +7 495 93306 59
 Fax +7 495 93306 74
 office-russia@geze.com

Scandinavia – Sweden
 GEZE Scandinavia AB
 Mallslingan 10
 Box 7060
 18711 Täby, Sweden
 Tel. +46 87323 400
 Fax +46 87323 499
 sverige.se@geze.com

Scandinavia – Norway
 GEZE Scandinavia AB avd. Norge
 Industriveien 34 B
 2073 Dal
 Tel. +47 63957 200
 Fax +47 63957 173
 norge.se@geze.com

Scandinavia – Denmark
 GEZE Danmark
 Branch office of GEZE Scandinavia AB
 Mårkærvej 13 J-K
 2630 Taastrup
 Tel. +45 463233 24
 Fax +45 463233 26
 danmark.se@geze.com

Singapore
 GEZE (Asia Pacific) Pte. Ltd.
 21 Bukit Batok Crescent
 #23-75 Wcega Tower
 Singapore 658065
 Tel: +65 6846 1338
 Fax: +65 6846 9353
 gezessea@geze.com.sg

South Africa
 GEZE Distributors (Pty) Ltd.
 118 Richards Drive, Halfway House,
 Ext 111, P.O. Box 7934, Midrand 1685,
 South Africa
 Tel: + 27 113158 286
 Fax: + 27 113158 261
 info@gezesa.co.za

Switzerland
 GEZE Schweiz AG
 Zeliglimatte 1A
 6260 Reiden
 Tel. +41 62 28554 00
 Fax +41 62 28554 01
 schweiz.ch@geze.com

Turkey
 GEZE Kapı ve Pencere Sistemleri
 San. ve Tic. Ltd. Sti.
 İstanbul Anadolu Yakası Organize
 Sanayi Bölgesi
 Gazi Bulvarı Caddesi 8.Sokak No:8
 Tuzla-İstanbul
 Tel. + 90 216 45543 15
 Fax + 90 216 45582 15
 office-turkey@geze.com

Ukraine
 LLC GEZE Ukraine
 ul. Viskoznaya, 17,
 Building 93-B, Office 12
 02660 Kiev
 Tel./Fax +38 445012225
 office-ukraine@geze.com

United Arab Emirates/GCC
 GEZE Middle East
 P.O. Box 17903
 Jebel Ali Free Zone
 Dubai
 Tel. +971 48833 112
 Fax +971 48833 240
 gezeme@geze.com

United Kingdom
 GEZE UK Ltd.
 Blenheim Way
 Fradley Park
 Lichfield
 Staffordshire WS13 8SY
 Tel. +44 15434430 00
 Fax +44 15434430 01
 info.uk@geze.com

GEZE REPRESENTATIVE